

Job Name: 25-4737 - New Leadership Building
Job Location: Lexington, KY
Contractor: C&R Asphalt, LLC

PC: Trevor Lewis
 TECH: J. Horsley - A
 Plant: 100



Structure ID: **85 (4)**

Spec: Storm
 Type: STM.MH (Recessed pipe)
 Size: 48"

Rim: 990.5'
 Invert: 985'
 Rim to Invert: 5.5'

Sump: 0"
 Floor (Top): 985'
 Floor Height: 6"

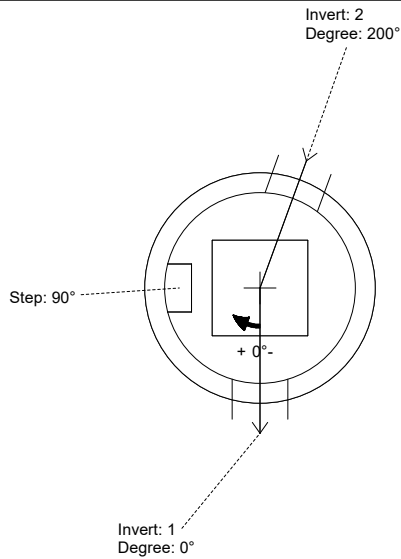
Floor (Bot): 984.5'
 Overall Height: 6'
 Slack: 0"

Structure Notes:

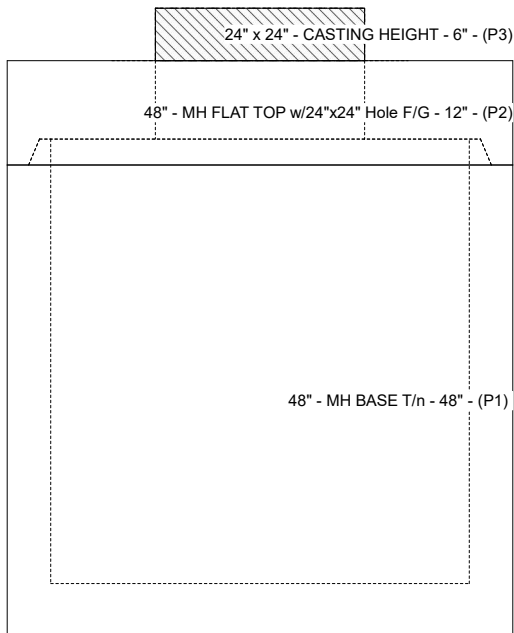
- PLAN LABEL: (4)
 1. PER ASTM C-478 SPECIFICATIONS
 2. CONCRETE: 4,000 PSI AT 28 DAYS
 3. REINFORCEMENT:
 - FLAT LID: #4 BAR @ 10" C.C. E.W. (GRADE 60)
 - BASE: PER ASTM A615
 4. NO STORM INVERT
 5. STEPS AT 90 DEGREES
 6. HOE KY-465 (CBI TY F) FRAME, GRATE, & CURB HOOD SUPPLIED BY ICAST

STRUCTURE SUMMARY:

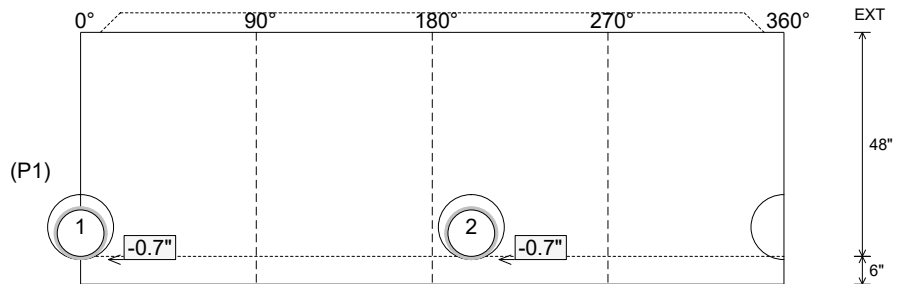
- P3) 24" x 24" - CASTING HEIGHT - 6" 0 lb
 P2) 48" - MH FLAT TOP w/24"x24" Hole F/G - 12" 1500 lb
 P1) 48" - MH BASE T/n - 48" 4553 lb
 1) CASTING - HOE KY-465 SET (CBI TY F) 465 lb
 1) 48" - Conseal CS-102 1.00" 0 lb
 1) 24" x 24" - Conseal CS-102 1.00" 0 lb
 2) Hole - 14 0 lb
 4) MH Step ML-10-TDS-NCR - 10" 0 lb
 Structure Total: 6518 lb



Position	Elev	Angle	Pipe	Pipe OD	Hole	Connector	Up (L)	Ref
Rim	990.5'							
Reducer								
Invert 1	985'	0°	10" HDPE	11.4"	14"	Hole 14	-0.7"	P1
Invert 2	985'	200°	10" HDPE	11.4"	14"	Hole 14	-0.7"	P1
Invert 3								
Invert 4								
Invert 5								
Invert 6								
Invert 7								
Invert 8								



Cast (Int. Dim.) - Interior Dimensions



Submittal Drawing
 2/18/2026 10:03:29 AM

SUBMITTAL
 APPROVED BY: