

Job Name: 25-4737 - New Leadership Building
 Job Location: Lexington, KY
 Contractor: C&R Asphalt, LLC

Plant: 100

2/18/2026 10:19:44 AM

Tech: J. Horsley - A

PC: Trevor Lewis



Structure ID: 85 (4)

P1 MH048BA48

MH BASE T/n

- P3) 24" x 24" - CASTING HEIGHT - 6"
- P2) 48" - MH FLAT TOP w/24"x24" Hole F/G - 12"
- P1) 48" - MH BASE T/n - 48"
- 1) CASTING - HOE KY-465 SET (CBI TY F)
- 1) 48" - Conseal CS-102 1.00"
- 1) 24" x 24" - Conseal CS-102 1.00"
- 2) Hole - 14
- 4) MH Step ML-10-TDS-NCR - 10"

0 lb
 1500 lb
 4553 lb
 465 lb
 0 lb
 0 lb
 0 lb
 0 lb
 0 lb
 Structure Total: 6518 lb

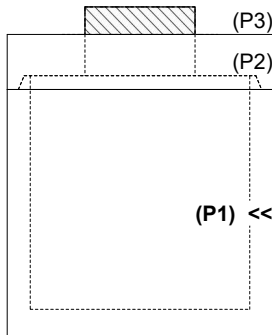
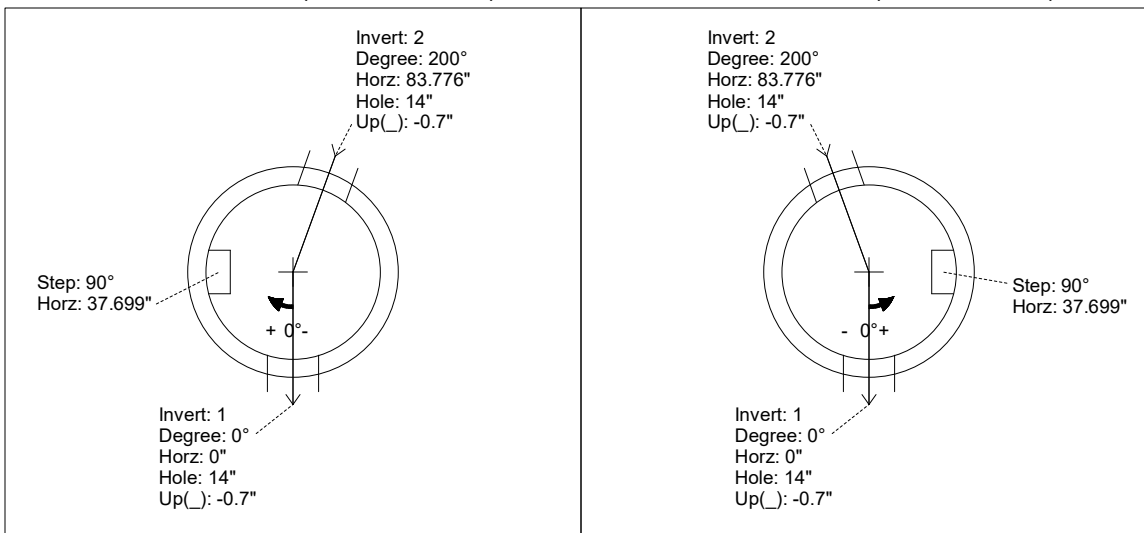
- Structure Notes:**
1. PER ASTM C-478 SPECIFICATIONS
 2. CONCRETE: 4,000 PSI AT 28 DAYS
 3. REINFORCEMENT: PER ASTM A615
 4. NO STORM INVERT
 5. STEPS AT 90 DEGREES
 6. HOE KY-465 (CBI TY F) FRAME, GRATE, & CURB HOOD SUPPLIED BY ICAST

Rim: 990.5' Rim to Invert: 5.5' Slack: 0" Sump: 0" Step Position: 0°

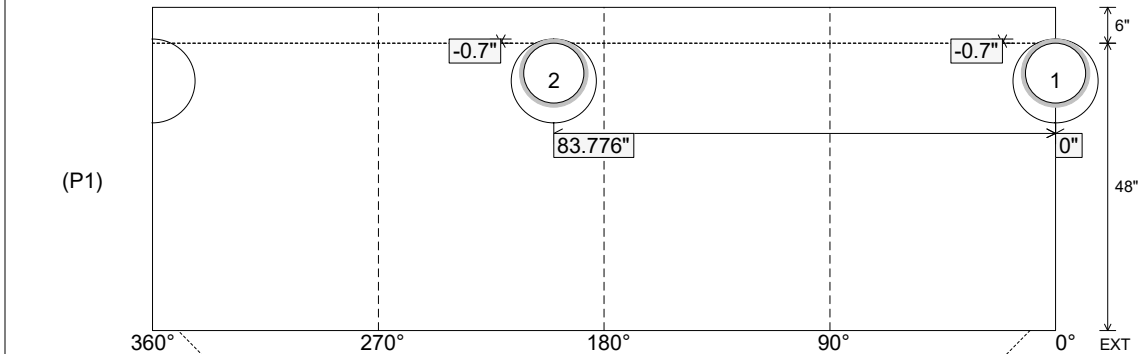
Position	Elev	Angle	Ext. (cw)	Pipe	Pipe OD	Connector	Hole	Horz Size	Up ()	Offset
Invert 1	985'	0°	0"	10" HDPE	11.4"	Hole 14	14"	14.207"	-0.7"	0"
Invert 2	985'	200°	101.229"	10" HDPE	11.4"	Hole 14	14"	14.207"	-0.7"	0"
Invert 3										
Invert 4										
Invert 5										
Invert 6										
Invert 7										
Invert 8										

RIGHT-SIDE UP VIEW (int. dimensions)

UPSIDE-DOWN VIEW (int. dimensions)



INSIDE WALL DIMENSIONS



Coating (Int):
 Coating (Ext):

Seam Up: Tongue
 Seam Dn: n/a

Wall Thickness: 5"
 Floor Height: 6"

Height (Int): 48"
 Height (Ext): 54"

Weight (Net): 4553 lb
 Volume (Net): 1.16cu.yd