

Job Name: 25-4727- Calista Subdivision (Ph.3)
 Job Location: White House, TN
 Contractor: Twin States Utilities, Inc.

Plant: 100

2/3/2026 7:30:34 AM

Tech: J. Horsley - F

PC: E. Bradley



Structure ID: MH 17-2 (9)

P3 MH048LD12CDARED

MH FLAT TOP w/24" Hole ECC w/ConBlock-CDA Red F/G

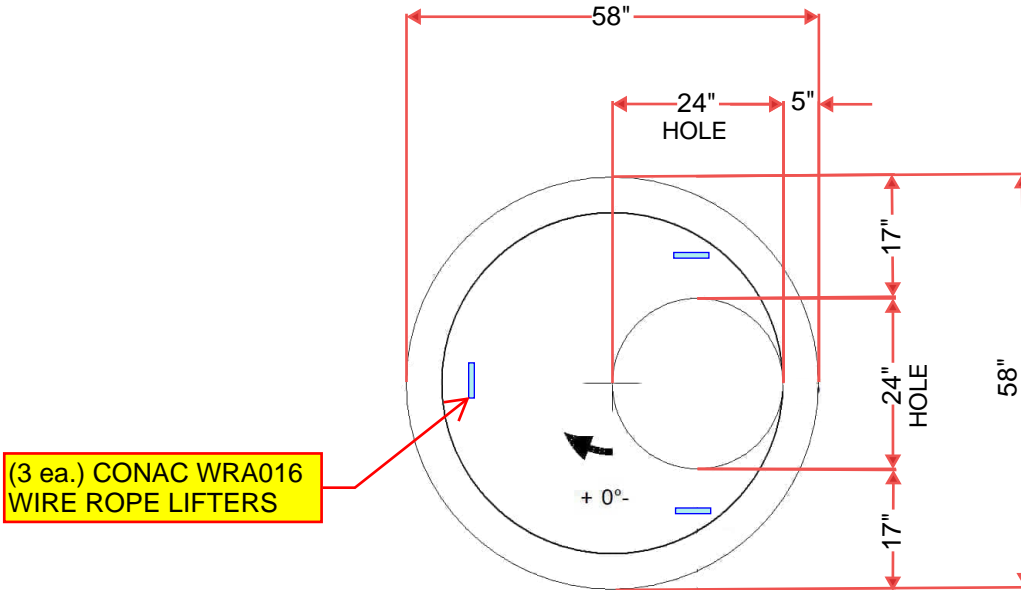
- P4) 24" - CASTING HEIGHT - 6"
- P3) 48" - MH FLAT TOP w/24" Hole ECC w/ConBlock-CDA Red F/G - 12"
- P2) 48" - MH RISER w/ConBlock-CDA Red T/G - 24"
- P1) 48" - MH BASE w/ConBlock-CDA Red T/n - 18"
- 1) JOINT WRAP - 0.065"x6"x50' CONSEAL CS212
- 1) JOINT WRAP PRIMER - CONSEAL CS-75 (1 gal.)
- 1) ADMIXTURE CONBLOCK CDA RED
- 1) 48" - MH INVERT CHANNEL OVERSIZED w/ConBlock-CDA Red - FULL HEIGHT
- 1) CASTING - JBS 1155 F/C SANITARY
- 2) 48" - Conseal CS-102 1.00" (Double)
- 1) PSX - 12-08 NYLO
- 3) MH Step ML-10-TDS-NCR - 10"

0 lb
 1580 lb
 1677 lb
 2540 lb
 0 lb
 0 lb
 0 lb
 0 lb
 1440 lb
 250 lb
 0 lb
 8 lb
 0 lb

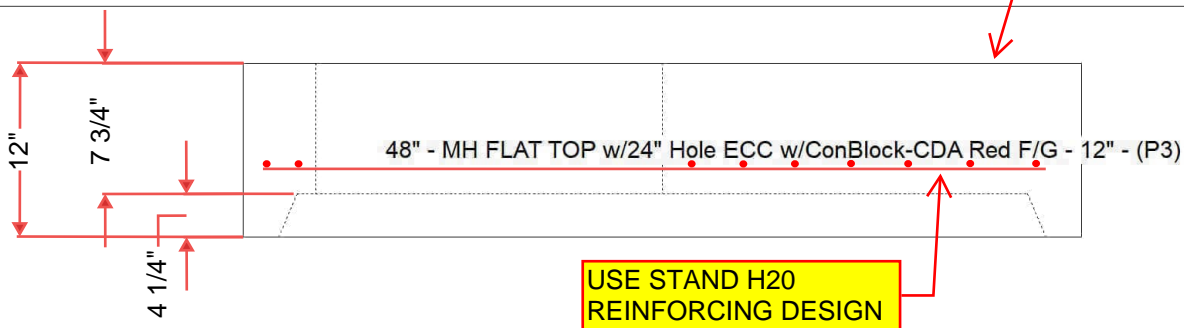
Structure Total: 7494 lb

- Structure Notes:**
1. PER ASTM C478 SPECIFICATIONS.
 2. CONCRETE = 4,000 PSI AT 28 DAYS.
 3. ADMIXTURE = CONBLOCK CDA RED
 4. CASTING BY ICAST (JBS 1155 F/C SANITARY)

- REINFORCING PER ASTM A615 (GRADE 60).**
- TOP SLAB = H20 LOADING.
 - RISER/WALLS (As .12)
 - FLOOR (As .31) #5 BARS AT 12" C.C.E.W



FLOAT FINISH ON TOP SURFACE



| | | | | |
|----------------------------------|----------------------------------|--------------------|-------------------|--|
| Coating (Int): Coating (Ext): | Seam Up: Flat Seam Dn: Groove | Wall Thickness: 5" | Height (Ext): 12" | Weight (Net): 1580 lb Volume (Net): 0.39cu.yd |
|----------------------------------|----------------------------------|--------------------|-------------------|--|