

Job Name: 25-4727- Calista Subdivision (Ph.3)	Plant: 100	Tech: J. Horsley - F	
Job Location: White House, TN Contractor: Twin States Utilities, Inc.	2/3/2026 7:30:34 AM	PC: E. Bradley	

Structure ID: MH 12-3 (8)

P2 MH048CN36CDARED

ECC CONE w/ 24" HOLE, w/ConBlock-CDA Red F/G

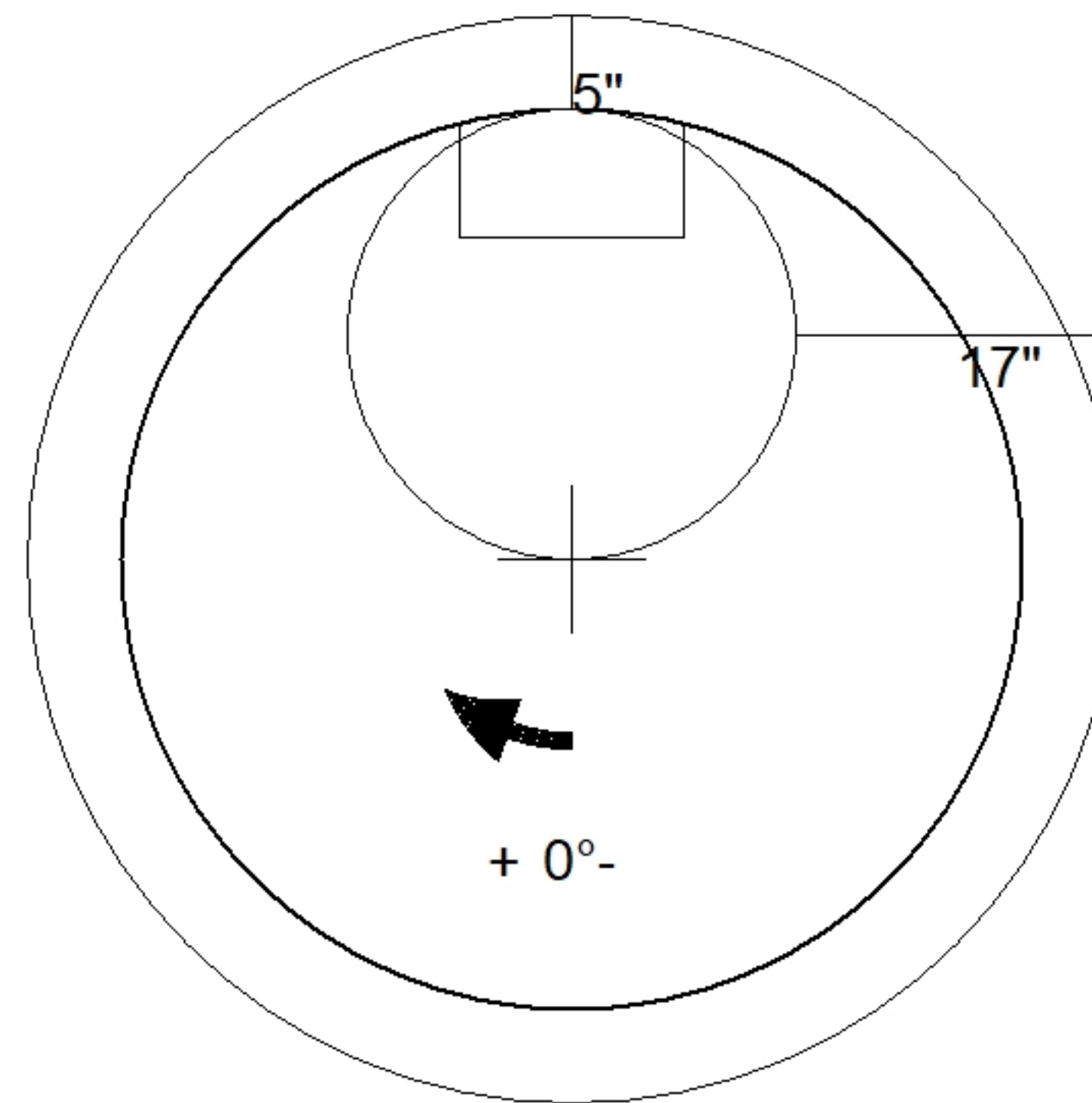
P3) 24" - CASTING HEIGHT - 6"	0 lb
P2) 48" - ECC CONE w/ 24" HOLE, w/ConBlock-CDA Red F/G - 36"	2251 lb
P1) 48" - MH BASE w/ConBlock-CDA Red T/n - 30"	3378 lb
1) JOINT WRAP - 0.065"x6"x50' CONSEAL CS212	0 lb
1) JOINT WRAP PRIMER - CONSEAL CS-75 (1 gal.)	0 lb
1) ADMIXTURE CONBLOCK CDA RED	0 lb
1) 48" - MH INVERT CHANNEL OVERSIZED w/ConBlock-CDA Red - FULL HEIGHT	1440 lb
1) CASTING - JBS 1155 F/C SANITARY	250 lb
1) 48" - Conseal CS-102 1.00" (Double)	0 lb
1) PSX - 12-08 NYLO	8 lb
5) MH Step ML-10-TDS-NCR - 10"	0 lb
Structure Total:	7327 lb

Structure Notes:

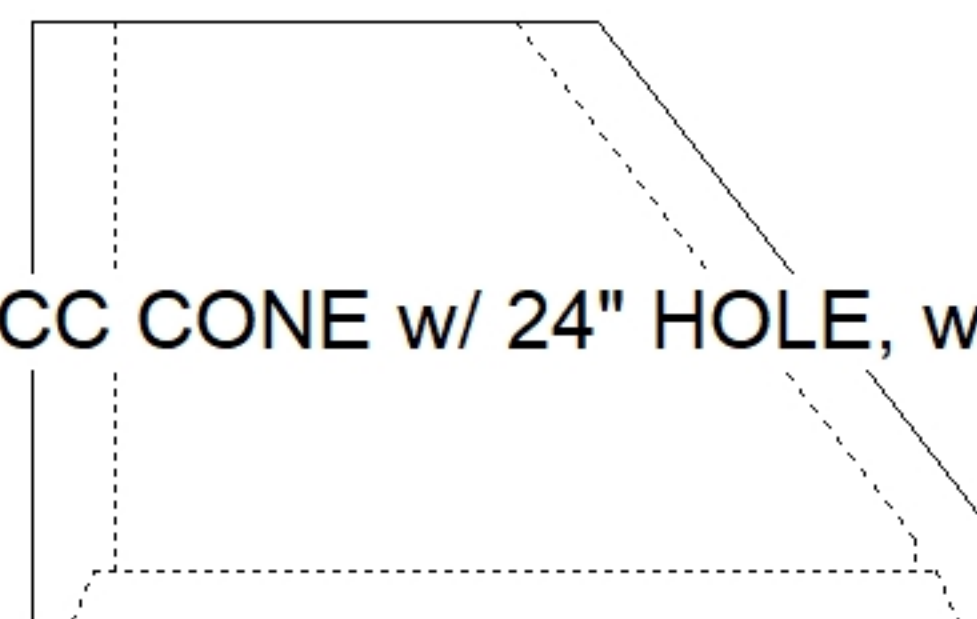
- PER ASTM C478 SPECIFICATIONS.
- CONCRETE = 4,000 PSI AT 28 DAYS.
- ADMIXTURE = CONBLOCK CDA RED
- CASTING BY ICAST (JBS 1155 F/C SANITARY)

REINFORCING PER ASTM A615 (GRADE 60).

- CONE (As .12)
- RISER/WALLS (As .12)
- FLOOR (As .31) #5 BARS AT 12" C.C.E.W



48" - ECC CONE w/ 24" HOLE, w/ConBlock-CDA Red F/G - 36" - (P2)



Coating (Int):	Seam Up: Flat	Wall Thickness: 5"	Height (Ext): 36"	Weight (Net): 2251 lb
Coating (Ext):	Seam Dn: Groove			Volume (Net): 0.57cu.yd