

**Structure ID: MH 12-1 (6)**

**P2 MH048RS36CDARED**

**MH RISER w/ConBlock-CDA Red T/G**

P5) 24" - CASTING HEIGHT - 6" P4) 24" - GRADE RING w/ConBlock-CDA Red F/F - 3" P3) 48" - ECC CONE w/ 24" HOLE, w/ConBlock-CDA Red F/G - 30" P2) 48" - MH RISER w/ConBlock-CDA Red T/G - 36" P1) 48" - MH BASE w/ConBlock-CDA Red T/n - 24" 1) JOINT WRAP - 0.065"x6"x50' CONSEAL CS212 1) JOINT WRAP PRIMER - CONSEAL CS-75 (1 gal.) 1) ADMIXTURE CONBLOCK CDA RED 1) 48" - MH INVERT CHANNEL OVERSIZED w/ConBlock-CDA Red - FULL HEIGHT 1) CASTING - JBS 1155 F/C SANITARY 2) 48" - Conseal CS-102 1.00" (Double) 2) PSX - 12-08 NYLO 8) MH Step ML-10-TDS-NCR - 10"	0 lb 202 lb 1961 lb 2515 lb 2911 lb 0 lb 0 lb 0 lb 0 lb 1440 lb 250 lb 0 lb 16 lb 0 lb ----- Structure Total: 9296 lb
---	--

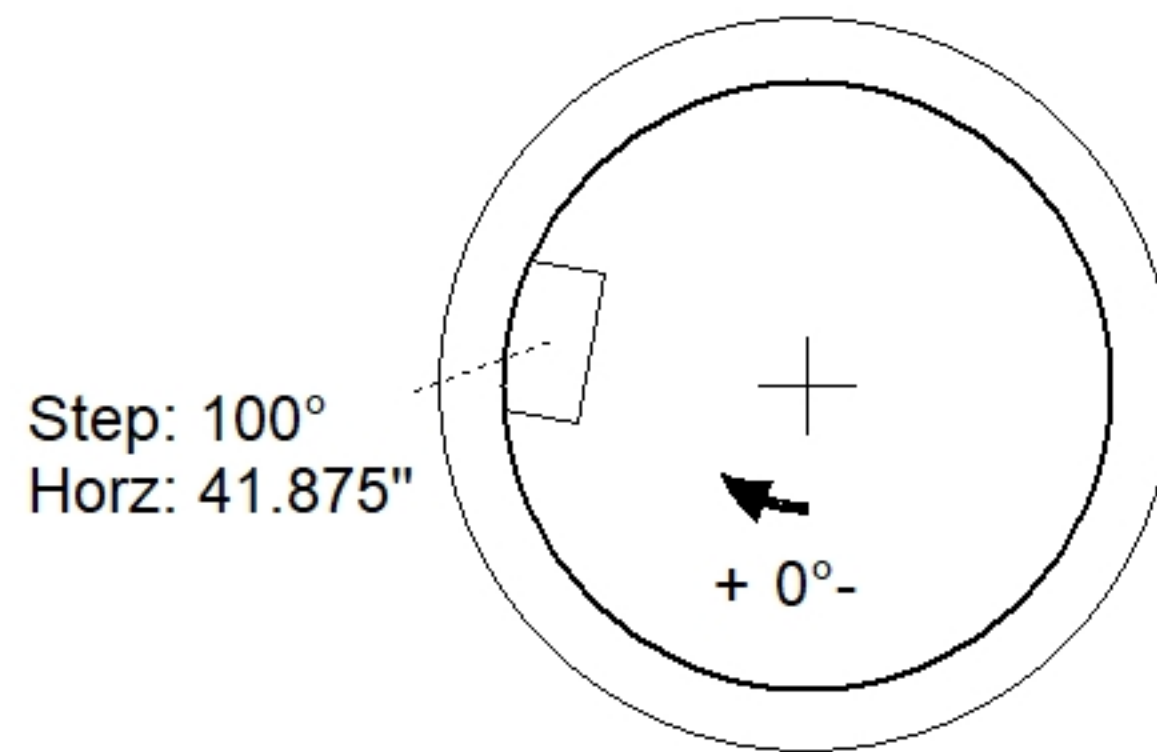
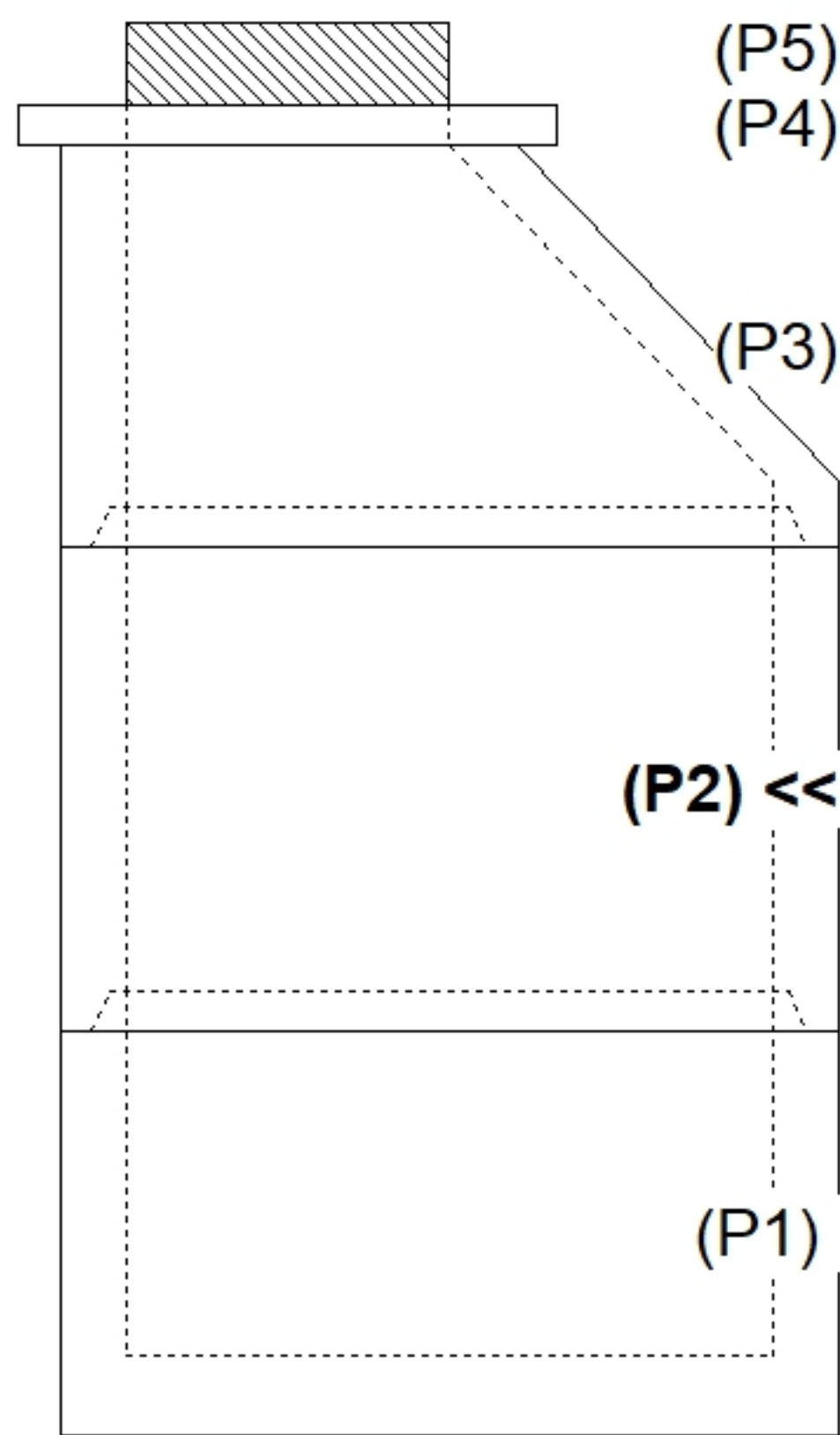
Structure Notes:  
 1. PER ASTM C478 SPECIFICATIONS.  
 2. CONCRETE = 4,000 PSI AT 28 DAYS.  
 3. ADMIXTURE = CONBLOCK CDA RED  
 4. CASTING BY ICAST (JBS 1155 F/C SANITARY)

REINFORCING PER ASTM A615 (GRADE 60).  
 - CONE (As .12)  
 - RISER/WALLS (As .12)  
 - FLOOR (As .31) #5 BARS AT 12" C.C.E.W

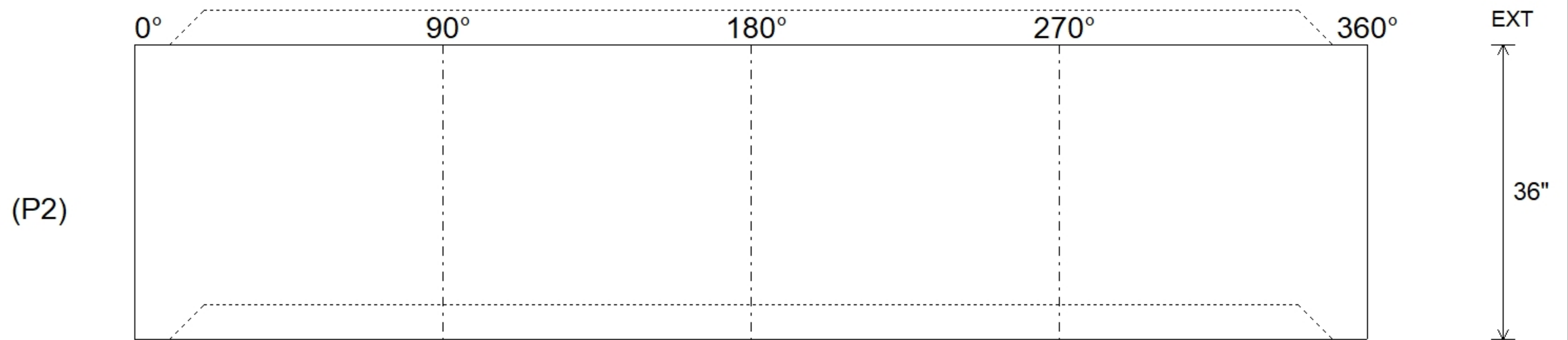
Rim: 808.78'    Rim to Invert: 8.1'    Slack: 0.2"    Sump: 2"    Step Position: 100°

Position	Elev	Angle	Ext. (cw)	Pipe	Pipe OD	Connector	Hole	Horz Size	Up (L)	Offset
Invert 1										
Invert 2										
Invert 3										
Invert 4										
Invert 5										
Invert 6										
Invert 7										
Invert 8										

**RIGHT-SIDE UP VIEW (int. dimensions)**



**INSIDE WALL DIMENSIONS**



Coating (Int): Coating (Ext):	Seam Up: Tongue Seam Dn: Groove	Wall Thickness: 5" Floor Height: 0"	Height (Int): 36" Height (Ext): 36"	Weight (Net): 2515 lb Volume (Net): 0.64cu.yd
----------------------------------	------------------------------------	--	--	--