

**Job Name: 25-4727- Calista Subdivision (Ph.3)**

**Job Location: White House, TN**

**Contractor: Twin States Utilities, Inc.**

PC: E. Bradley

TECH: J. Horsley - F

Plant: 100



Structure ID: MH 11-1 (2)

Spec: Sanitary

Type: SAN.MH w/ConBlock-CDA Red

Size: 48"

Rim: 803.01'

Invert: 796.86'

Rim to Invert: 6.15'

Sump: 2"

Floor (Top): 796.693'

Floor Height: 6"

Floor (Bot): 796.193'

Overall Height: 6.75'

Slack: 0.8"

**Structure Notes:**

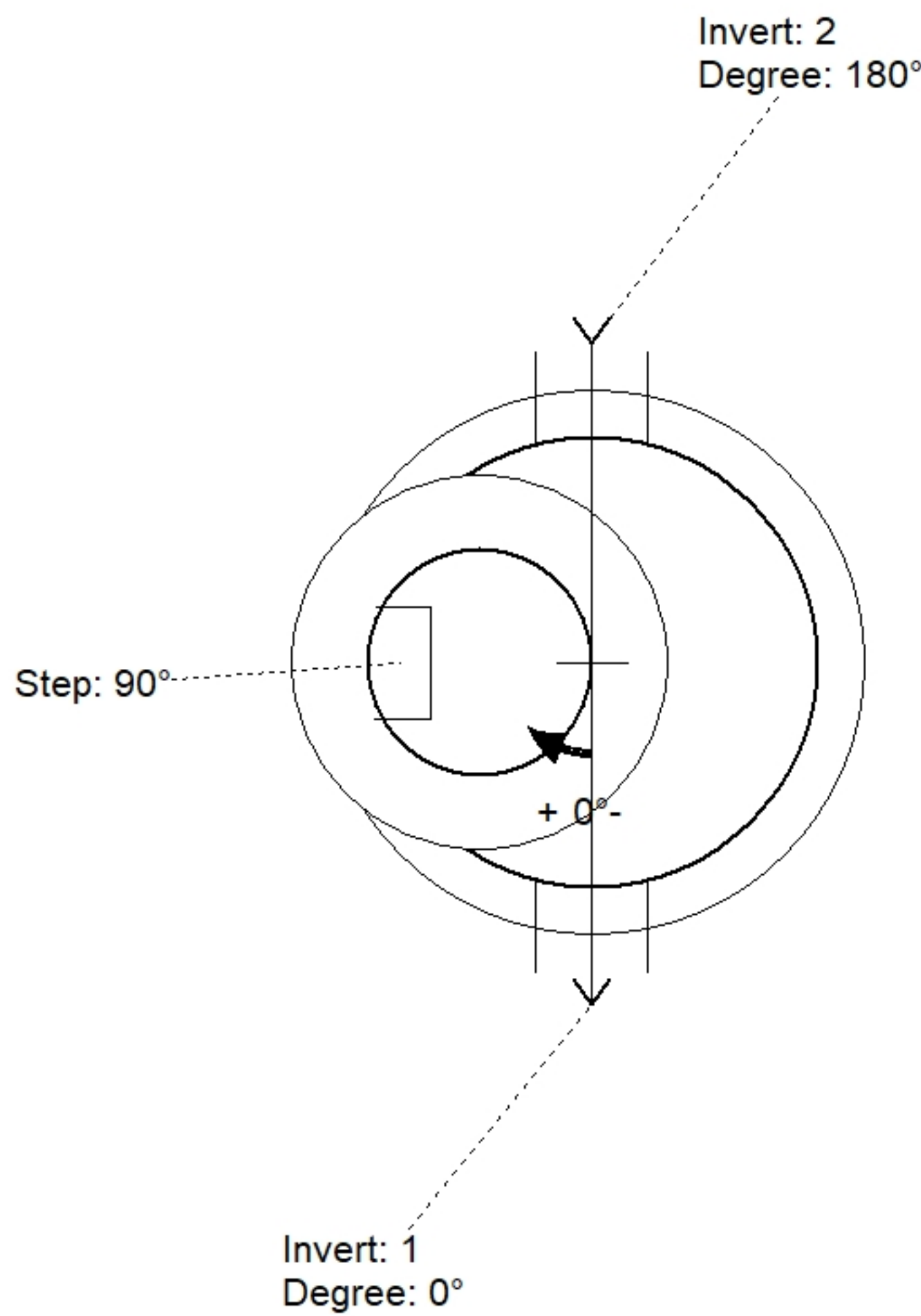
1. PER ASTM C478 SPECIFICATIONS.
2. CONCRETE = 4,000 PSI AT 28 DAYS.
3. ADMIXTURE = CONBLOCK CDA RED
4. CASTING BY ICAST (JBS 1155 F/C SANITARY)

**REINFORCING PER ASTM A615 (GRADE 60).**

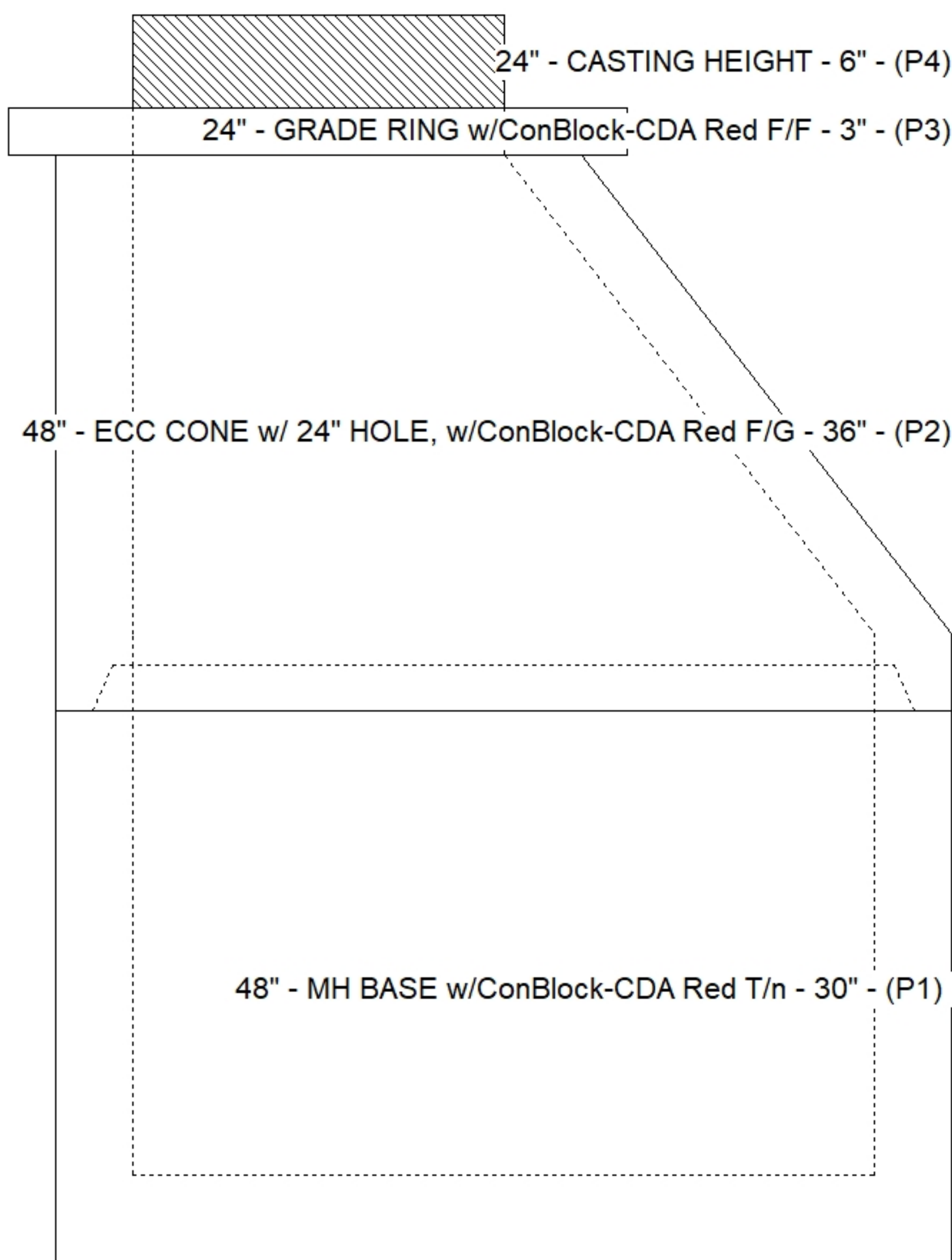
- CONE (As .12)
- RISER/WALLS (As .12)
- FLOOR (As .31) #5 BARS AT 12" C.C.E.W

**STRUCTURE SUMMARY:**

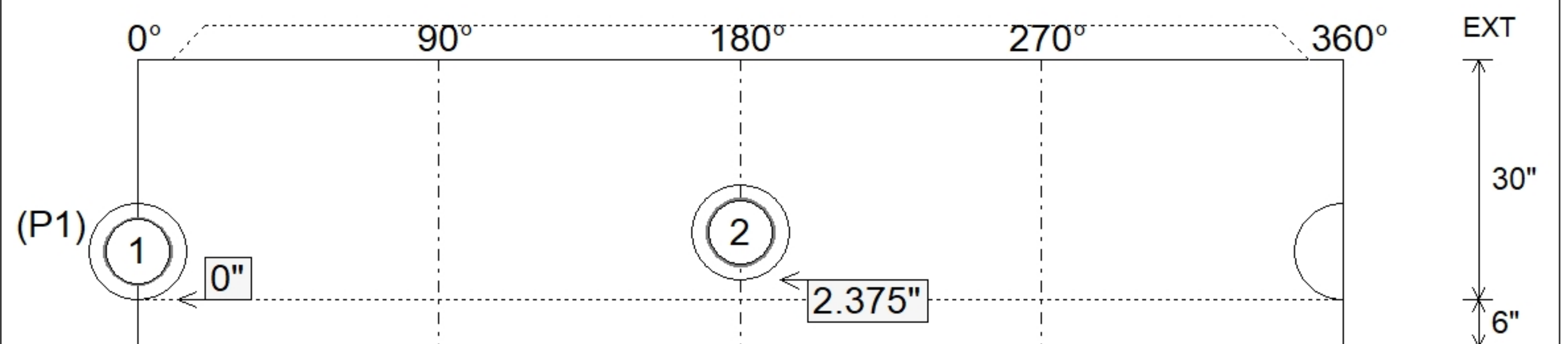
|   |                |
|---|----------------|
| P4) 24" - CASTING HEIGHT - 6"   | 0 lb           |
| P3) 24" - GRADE RING w/ConBlock-CDA Red F/F - 3"                      | 202 lb         |
| P2) 48" - ECC CONE w/ 24" HOLE, w/ConBlock-CDA Red F/G - 36"          | 2251 lb        |
| P1) 48" - MH BASE w/ConBlock-CDA Red T/n - 30"                        | 3330 lb        |
| 1) JOINT WRAP - 0.065"x6"x50' CONSEAL CS212                           | 0 lb           |
| 1) JOINT WRAP PRIMER - CONSEAL CS-75 (1 gal.)                         | 0 lb           |
| 1) ADMIXTURE CONBLOCK CDA RED   | 0 lb           |
| 1) 48" - MH INVERT CHANNEL OVERSIZED w/ConBlock-CDA Red - FULL HEIGHT | 1440 lb        |
| 1) CASTING - JBS 1155 F/C SANITARY                                    | 250 lb         |
| 1) 48" - Conseal CS-102 1.00" (Double)                                | 0 lb           |
| 2) PSX - 12-08 NYLO   | 16 lb          |
| 5) MH Step ML-10-TDS-NCR - 10"  | 0 lb           |
| <b>Structure Total:</b>   | <b>7490 lb</b> |



| Position | Elev    | Angle | Pipe         | Pipe OD | Hole | Connector      | Up (") | Ref |
|----------|---------|-------|--------------|---------|------|----------------|--------|-----|
| Rim      | 803.01' |       |              |         |      |                |        |     |
| Reducer  |         |       |              |         |      |                |        |     |
| Invert 1 | 796.86' | 0°    | 8" PVC SDR26 | 8.5"    | 12"  | PSX 12-08 NYLO | 0"     | P1  |
| Invert 2 | 797.06' | 180°  | 8" PVC SDR26 | 8.5"    | 12"  | PSX 12-08 NYLO | 2.375" | P1  |
| Invert 3 |         |       |              |         |      |                |        |     |
| Invert 4 |         |       |              |         |      |                |        |     |
| Invert 5 |         |       |              |         |      |                |        |     |
| Invert 6 |         |       |              |         |      |                |        |     |
| Invert 7 |         |       |              |         |      |                |        |     |
| Invert 8 |         |       |              |         |      |                |        |     |



**Cast (Int. Dim.) - Interior Dimensions**



Submittal Drawing  
2/3/2026 7:28:10 AM

SUBMITTAL  
APPROVED BY: