

Job Name: 25-4720 Madisonville New Office Facility
Job Location: Madisonville, KY
Contractor: Steve Pleasant Excavating

PC: E. Bradley
 TECH: S. Felletter
 Plant: Beaver Dam



Structure ID: **OCS**
 Spec: Storm
 Type: BX 6inW, 6inF
 Size: 30" x 30"

Rim: 448.5'
 Invert: 446'
 Rim to Invert: 2.5'

Sump: 0"
 Floor (Top): 446'
 Floor Height: 6"

Floor (Bot): 445.5'
 Overall Height: 3'
 Slack: 0"

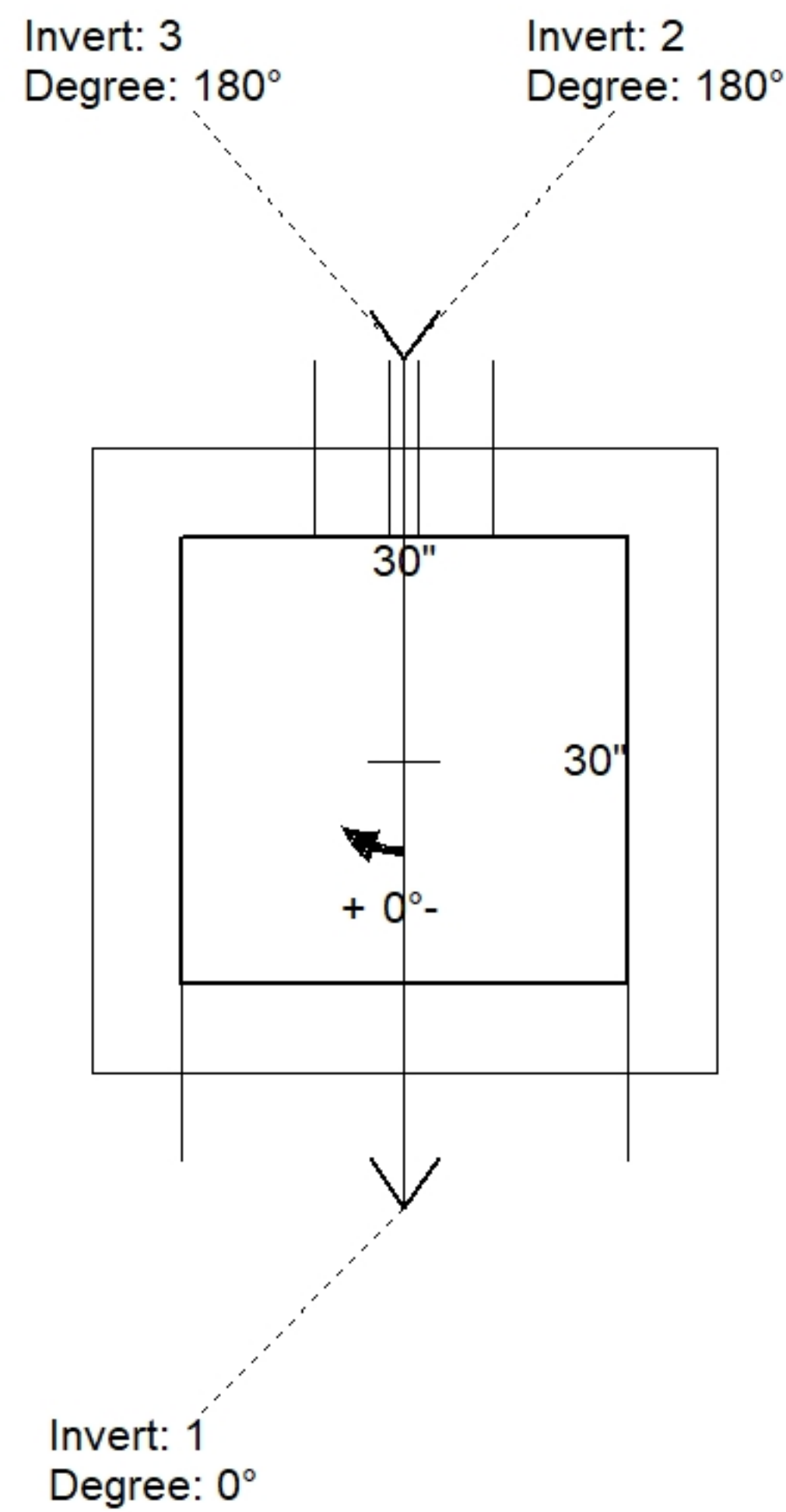
Structure Notes:

1. TRASH RACK LFS-3030 PROVIDED BY ICAST
2. PER ASTM C913 SPECIFICATIONS.
3. CONCRETE = 4,000 PSI AT 28 DAYS.
4. NO INVERT CHANNEL.

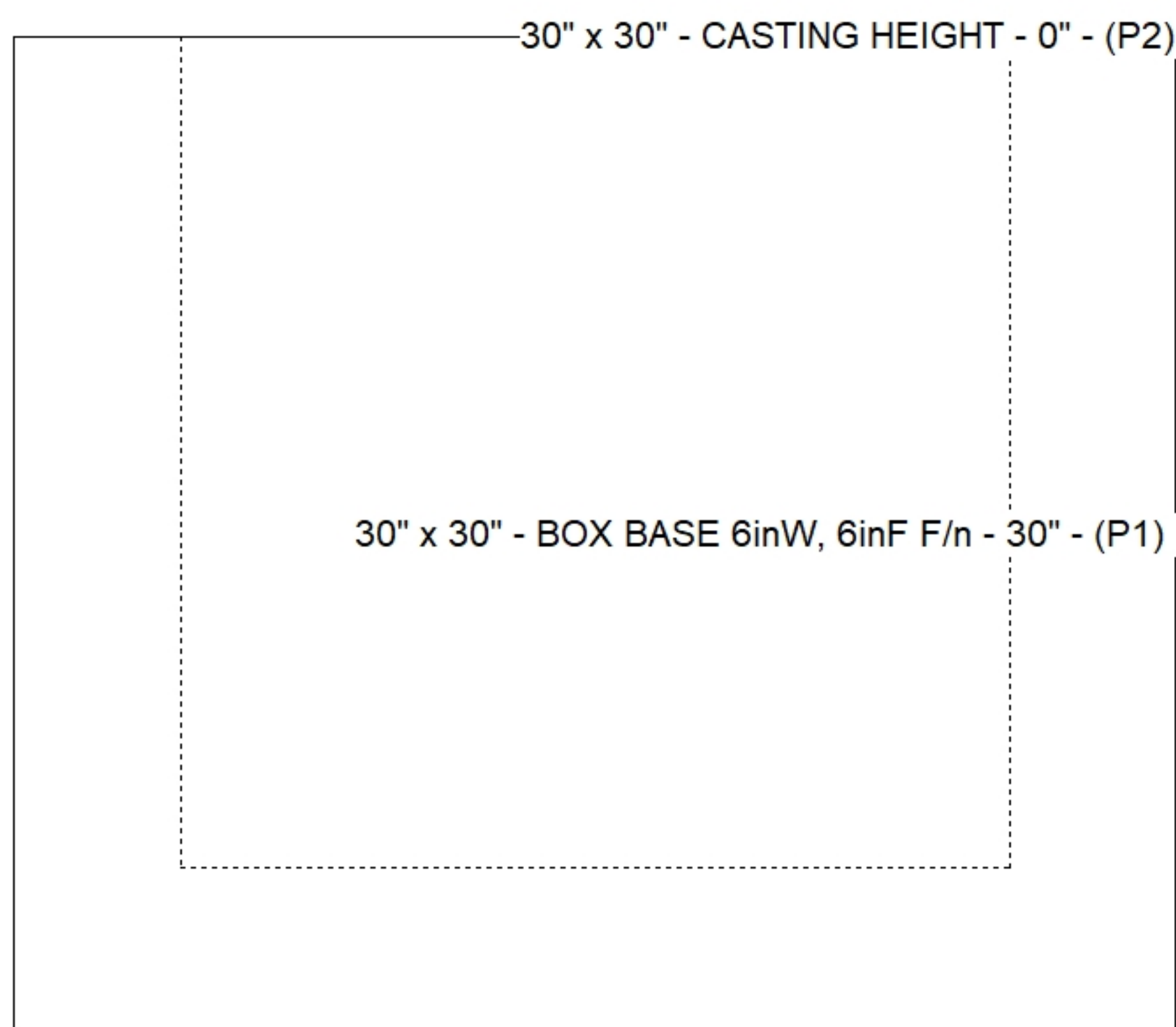
REINFORCING PER ASTM A615 (GRADE 60).
 - WALLS (As .12) #5 BARS AT 12" C.C.E.W.
 - FLOOR (As .12) #5 BARS AT 12" C.C.E.W.

STRUCTURE SUMMARY:

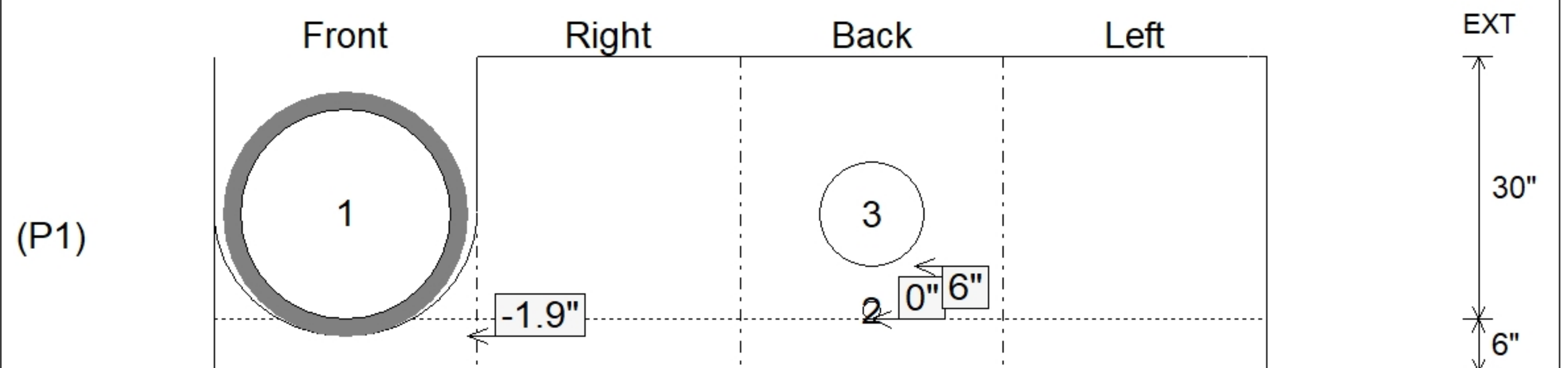
P2) 30" x 30" - CASTING HEIGHT - 0"	0 lb
P1) 30" x 30" - BOX BASE 6inW, 6inF F/n - 30"	2677 lb
1) 30" x 30" - SGL 1"x14.5' Butyl	0 lb
1) DOGHOUSE INVRTD - 30"x28"	0 lb
1) Hole - 2	0 lb
1) Orifice - 12"	0 lb
Structure Total:	2677 lb



Position	Elev	Angle	Pipe	Pipe OD	Hole	Connector	Up ()	Ref
Rim	448.5'							
Reducer								
Invert 1	446'	0°	24" HDPE	27.8"	30" x 28"	DOGHOUSE INVRTD 30"x28"	-1.9"	P1
Invert 2	446'	180°	2" Orifice	2"	2"	Hole 2	0"	P1
Invert 3	446.5'	180°	12" Orifice	12"	12"	Orifice 12"	6"	P1
Invert 4								
Invert 5								
Invert 6								
Invert 7								
Invert 8								



Default - Interior Dimensions



Submittal Drawing
 1/26/2026 8:40:47 AM

SUBMITTAL
 APPROVED BY: