

Job Name: 25-4714 - UK HEB Bid Pack 07
Job Location: Lexington, KY
Contractor: Woodall Construction Co., Inc.

PC: C. Goff
 TECH: J. Horsley - F
 Plant: 100



Structure ID: **A9 (4)**
 Spec: Storm
 Type: BX 8inW, 8inF
 Size: 24" x 24"

Rim: 998.75'
 Invert: 995.66'
 Rim to Invert: 3.09'

Sump: 0"
 Floor (Top): 995.66'
 Floor Height: 8"

Floor (Bot): 994.993'
 Overall Height: 3.75'
 Slack: 0.08"

- Structure Notes:**
1. PER ASTM C-913 SPECIFICATIONS
 2. CONCRETE: 4,000 PSI AT 28 DAYS
 3. REINFORCEMENT: #5 BAR @ 12" C.C. E.W. (GRADE 60)
 4. NO STORM INVERT
 5. NO STEPS
 6. HOE 342 FRAME & GRATE SUPPLIED BY ICAST

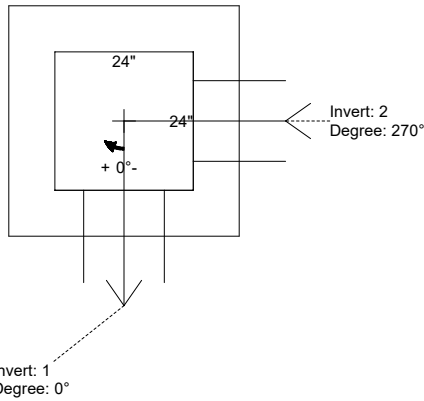
STRUCTURE SUMMARY:

P2) 24" x 24" - CASTING HEIGHT - 6"
 P1) 24" x 24" - BOX BASE 8inW, 8inF, Variable Ht F/n - 31"

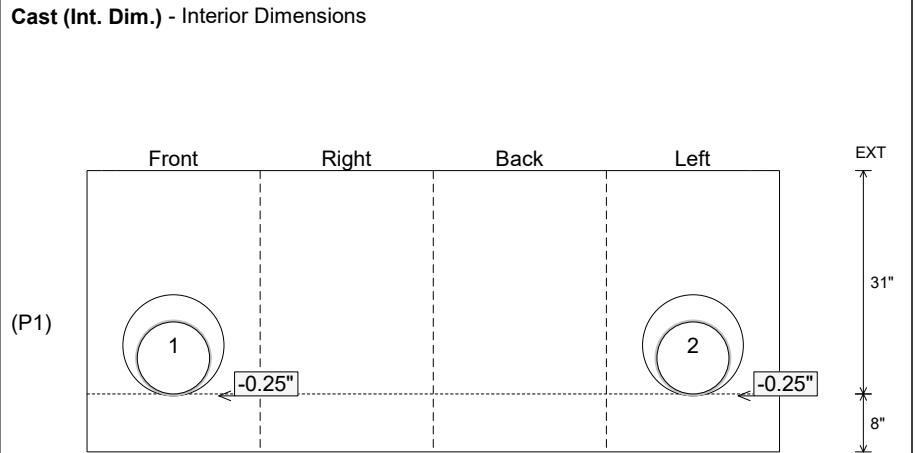
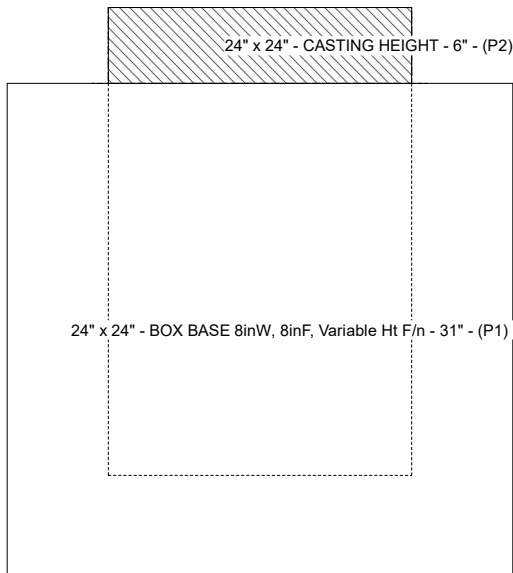
1) CASTING - HOE 342 F/G
 1) 24" x 24" - Conseal CS-102 1.00"
 2) Hole - 14

0 lb
 3531 lb
 250 lb
 0 lb
 0 lb

 Structure Total: 3781 lb



Position	Elev	Angle	Pipe	Pipe OD	Hole	Connector	Up ()	Ref
Rim	998.75'							
Reducer								
Invert 1	995.66'	0°	10" PVC SDR35	10.5"	14"	Hole 14	-0.25"	P1
Invert 2	995.66'	270°	10" PVC SDR35	10.5"	14"	Hole 14	-0.25"	P1
Invert 3								
Invert 4								
Invert 5								
Invert 6								
Invert 7								
Invert 8								



Submittal Drawing
 1/29/2026 12:19:58 PM

SUBMITTAL
 APPROVED BY: