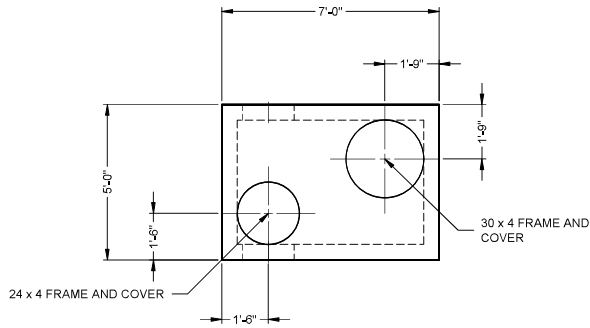
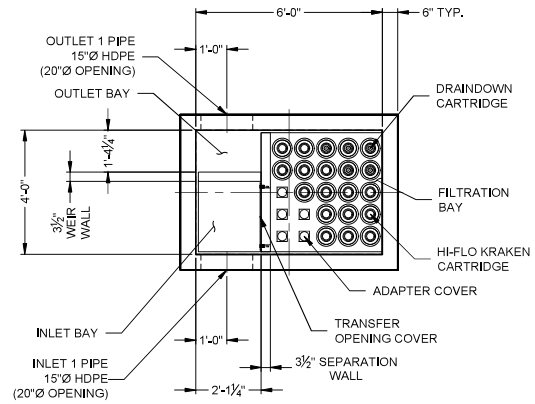


25-4692 - 855187 DISCOUNT TIRE ASSEMBLY INFORMATION 15-KFPD0406

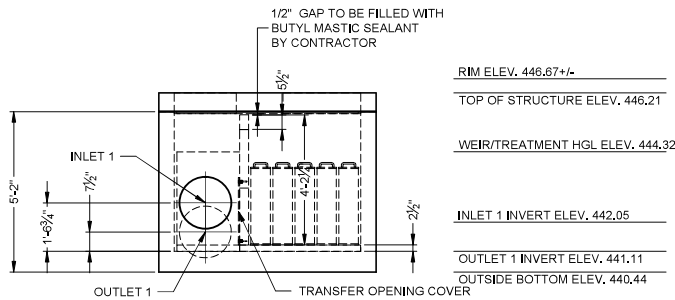


PLAN VIEW

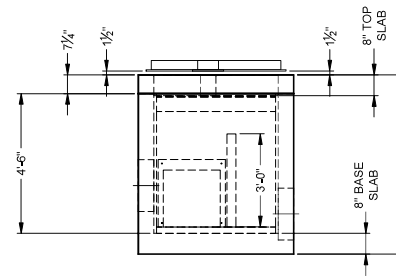


**PLAN VIEW
TOP SLAB NOT SHOWN**

SEE INSTALLATION NOTE A



**ELEVATION VIEW
FILTER CARTRIDGES NOT SHOWN**



**RIGHT END VIEW
FILTER CARTRIDGES / INLET CASTING NOT SHOWN**

SITE DESIGN DATA	
TOTAL CARTRIDGE FLOW RATE (CFS)	0.76
SURFACE LOADING	HS-20
GROUNDWATER ELEVATION*	441.11

*GROUNDWATER ELEVATION IS ASSUMED. EOR TO PROVIDE IF KNOWN

STRUCTURE DETAILS	
NUMBER OF DELIVERED PIECES (DOES NOT INCLUDE GRADE RINGS/RISERS)	2
MAXIMUM FOOTPRINT	5.00' x 7.00'
DELIVERED HEAVIEST PICK*	11300 LB.
TOP SLAB	2800 LB.
BASE SECTION	10975 LB.
INTERNAL COMPONENTS	175 LB.
CARTRIDGES (20)	175 LB.

*BASE SECTION SHIPPED WITH INTERNAL COMPONENTS AND CARTRIDGES INSTALLED

I:\04\KRAKEN\NET\CONTECH\PROJECTS\ACTIVITY\855187\855187-15-KFPD0406\CONTECH\FIELD\DWG 12202023 3:49 PM

The design and information shown on this drawing is provided as a service to the project owner, engineer and contractor by Contech Engineered Solutions LLC, "Contech". Neither this drawing nor any part thereof may be copied, reproduced or modified in any manner without the prior written consent of Contech. Failure to comply is done at the user's own risk and Contech expressly disclaims any liability or responsibility for such use.

If discrepancies between the supplied information upon which the drawing is based and actual field conditions are encountered at site work progress, these discrepancies must be reported to Contech immediately for re-evaluation of the design. Contech accepts no liability for designs based on missing, incomplete or inaccurate information supplied by others.

MARK	DATE	REVISION DESCRIPTION	BY

CONTECH
ENGINEERED SOLUTIONS
A QUIKRETE COMPANY

9100 Centre Pointe Dr., Suite 400, West Chester, OH 45069
800-338-1122 513-645-7000 513-645-7993 FAX

THE KRACKEN
FOR PATENT INFORMATION, GO TO www.ContechES.com/FP

CONTECH
FABRICATION
DRAWING

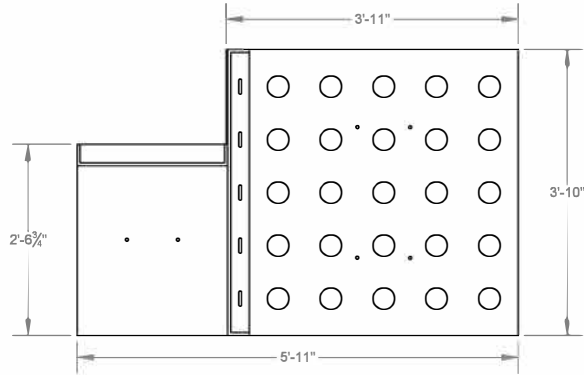
HC KRACKEN KFPD0406 - 855187-15
DISCOUNT TIRE HERMITAGE
HERMITAGE, TN
SITE DESIGNATION: 202

PROJECT No.	SEQ. No.	DATE
855187	15	9/29/2025
DESIGNED: JR	DRAWN: MAA	
CHECKED: JR	APPROVED: JR	
SHEET NO.	2 OF 2	

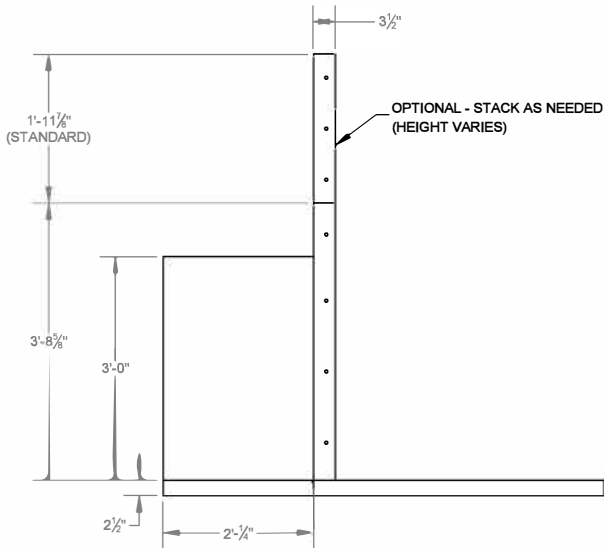
ICAST
5888 / 757440
LAYOUT 6 / CLASS 1
KFPD-4-6 (LEFT)
6.65 TS
0.00 TR

25-4692 - 855187 DISCOUNT TIRE ASSEMBLY INFORMATION 15-KFPD0406

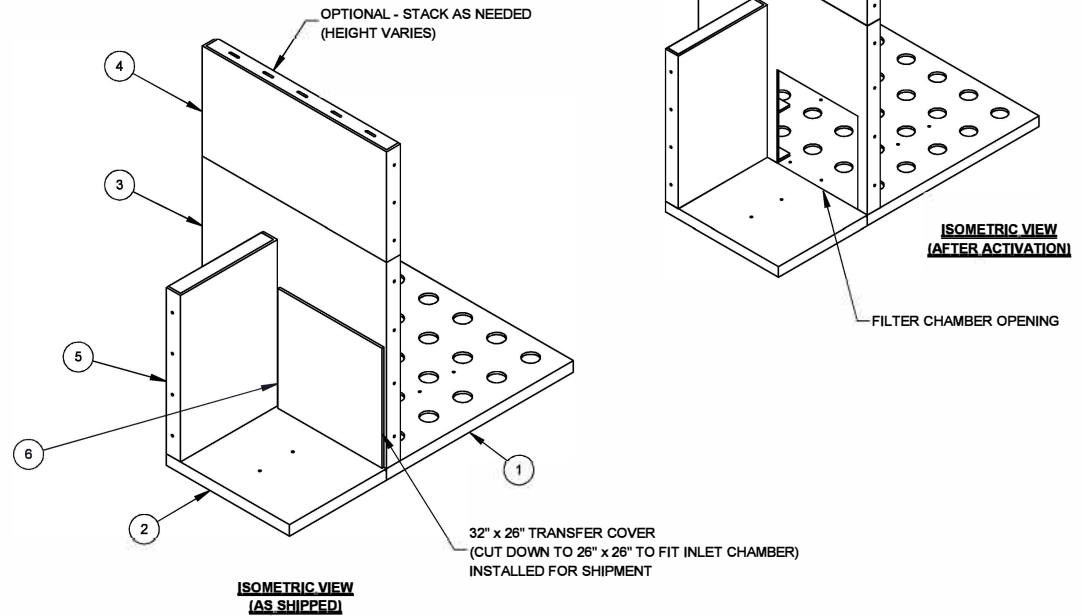
ITEM NO.	PART NO.	DESCRIPTION	QTY.
1	325-004543	FALSE FLOOR - 4FT - 5-ROW END PANEL (WITH T-NUTS)	1
2	325-004544	FALSE FLOOR - INLET BAY PANEL (HC KFPD0406) - LEFT	1
3	325-004546	SEPARATOR WALL - 4FT - BOTTOM SECTION - LEFT	1
4	325-004548	SEPARATOR WALL - 4FT - TOP SECTION (STACK AS NEEDED)	1
5	325-004550	WEIR WALL (HC KFPD0406)	1
6	325-004423	TRANSFER COVER (CUT TO FIT INLET BAY)	1



PLAN VIEW



ELEVATION VIEW



ISOMETRIC VIEW (AS SHIPPED)

ISOMETRIC VIEW (AFTER ACTIVATION)

NOTES:

- SEE INSTALLATION GUIDE FOR ADDITIONAL INFORMATION
- SEE PROJECT DETAILS FOR ADDITIONAL INFORMATION REGARDING SEPARATOR WALL - TOP SECTION HEIGHTS

The design and information shown on this drawing is provided as a service to the project owner, engineer and contractor by Contech Engineered Solutions LLC, or one of its affiliated companies ("Contech"). In the absence of a written contract, the user hereby agrees to indemnify and hold Contech harmless from any liability or responsibility for such use. If discrepancies between the supplied information upon which the drawings is based and actual field conditions are encountered as site work progresses, those discrepancies must be reported to Contech immediately for reevaluation of the design. Contech accepts no liability for designs based on missing, incomplete or inaccurate information supplied by others.

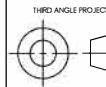
THE KRAKEN[®]

FOR PATENT INFORMATION, GO TO www.ContechES.com/IP

CONTECH[®]
ENGINEERED SOLUTIONS LLC
www.ContechES.com

9025 Centre Pointe Dr., Suite 400, West Chester, OH 45069
800-338-1122 513-645-7000 513-645-7993 FAX

REFERENCE DETAILS
HC KFPD0406
ONLINE LEFT INTERNALS



UNLESS OTHERWISE SPECIFIED
DIMENSIONS ARE IN INCHES

TOLERANCES:
FRACTIONAL ± 1/16
ANGLES ± 1 DEGREE
TWO PLACE DECIMAL ± 0.06
THREE PLACE DECIMAL ± 0.030

PART NUMBER		SEE PART NO. IN TABLE ABOVE	
APPROVED BY:	J. FORST	DRAWN BY:	J. FORST
APPROVED BY DATE:	2025.02.19	DRAWN BY DATE:	2025.02.19
SCALE:	N/A	REV:	A
		SHEET 1 OF 1	