

25-4692 - 855187 DISCOUNT TIRE
ASSEMBLY INFORMATION
10-KFPD0608

DISCOUNT TIRE HERMITAGE
HERMITAGE, TN

FABRICATION PACKAGE
HC KRAKEN KFPD0608-G - 855187-10
302

MATERIAL LIST (INCLUDED WITH STRUCTURE DELIVERY UNLESS NOTED OTHERWISE)

COUNT	DESCRIPTION	PART NUMBER	PROVIDED BY	INSTALLED BY
23	30" KRAKEN FILTER	325-004363	CONTECH	PRECASTER
8	30" DRAINDOWN FILTER	325-004446	CONTECH	PRECASTER
25	QUARTER TURN ADAPTER COVER	325-004443	CONTECH	PRECASTER
1	KFPD-6-8 (LEFT) INTERNALS KIT AND HARDWARE	HCKF-6-8 (LEFT)	CONTECH	PRECASTER
1	SEALANT FOR JOINTS		CONTECH	CONTRACTOR
1	24" x 24" FRAME AND GRATE, EJ #45624050A01, OR EQUIV.	325-000363	CONTECH	CONTRACTOR
2	30"Ø x 4" FRAME AND COVER, EJ #41600483, OR EQUIV.	325-000332	CONTECH	CONTRACTOR

GENERAL NOTES

- DESIGN LOADING - AASHTO HS-20
- DESIGN SPECIFICATION - ACI 318-14
- JOINT SEALANT SHALL CONFORM TO ASTM C-990 OR ASTM C-443
- CONCRETE MINIMUM STRENGTH - 5,000 PSI AT 28 DAYS
- DESIGN EARTH COVER FROM 0' MIN. - 5' MAX.
- GROUND WATER ELEVATION AT OUTLET PIPE INVERT
- MANUFACTURING TOLERANCE = +/- 1/2-INCH
- SOME HIDDEN LINES MAY BE OMITTED FOR CLARITY.

INSTALLATION NOTES

- PRECASTER TO SHIP FRAME AND COVER WITH STRUCTURE
- REFER TO CONTECH ASSEMBLY INSTRUCTIONS FOR ADDITIONAL INFORMATION.
- PIPE OPENINGS SHALL BE STENCILED "INLET" OR "OUTLET" AS APPROPRIATE.
- PRECASTER TO INSTALL ALL CARTRIDGES PRIOR TO SHIPPING UNLESS NOTED OTHERWISE.
- APPLYING ALIGNMENT MARKS ON ALL PIECES OF MULTIPLE PIECE ASSEMBLIES IS ENCOURAGED.
- IF STRUCTURE IS DELIVERED IN MULTIPLE SECTIONS, EACH PIECE SHALL BE LABELED WITH THE CONTECH PROJECT NUMBER, SEQUENCE NUMBER AND SITE DESIGNATION.
- ACCESS STEPS, IF REQUIRED, SHALL BE INSTALLED IN ACCORDANCE WITH ASTM-478 AND AASHTO M-199.
- PRECASTER TO INSTALL TRANSFER COVER PLATE ON SEPARATION WALL.

I:\KRAKEN\NET\CONTECH\MERLIN\PROJECT\ACTIVE\PROJECT\CONTRACT\ACT\855187-10\KFPD0608-G-CONF\ALDWG_12/20/25_2.18.dwg

The design and information shown on this drawing is provided as a service to the project owner, engineer and contractor by Contech Engineered Solutions, LLC ("Contech"). Neither this drawing, nor any part thereof, may be used, reproduced or modified in any manner without the prior written consent of Contech. Failure to comply is done at the user's own risk and Contech expressly disclaims any liability or responsibility for such use.

If discrepancies between the supplied information upon which the drawing is based and actual field conditions are encountered as the work progresses, these discrepancies shall be reported to Contech immediately for re-evaluation of the design. Contech accepts no liability for designs based on missing, incomplete or inaccurate information supplied by others.

MARK	DATE	REVISION DESCRIPTION	BY



9100 Centre Pointe Dr., Suite 400, West Chester, OH 45069
800-338-1122 513-645-7000 513-645-7993 FAX



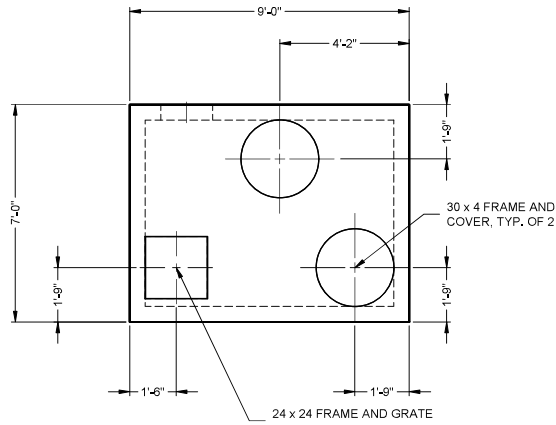
FOR PATENT INFORMATION, GO TO www.ContechES.com/IP
CONTECH
FABRICATION
DRAWING

HC KRAKEN KFPD0608-G - 855187-10
DISCOUNT TIRE HERMITAGE
HERMITAGE, TN
SITE DESIGNATION: 302

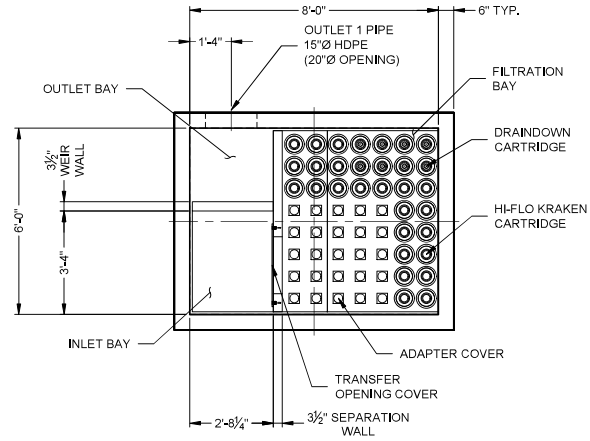
PROJECT No. 855187	REQ. No. 10	DATE 9/28/2025
DESIGNED JR	DRAWN MAA	
CHECKED JR	APPROVED JR	
SHEET NO. 1		OF 2

25-4692 - 855187 DISCOUNT TIRE ASSEMBLY INFORMATION

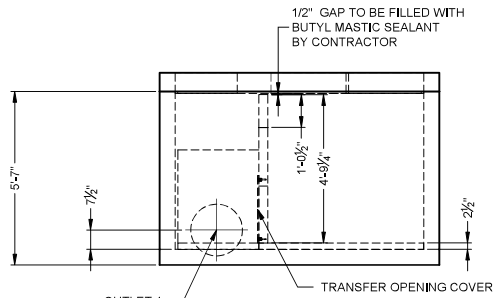
10-KFPD0608



PLAN VIEW



**PLAN VIEW
TOP SLAB NOT SHOWN**

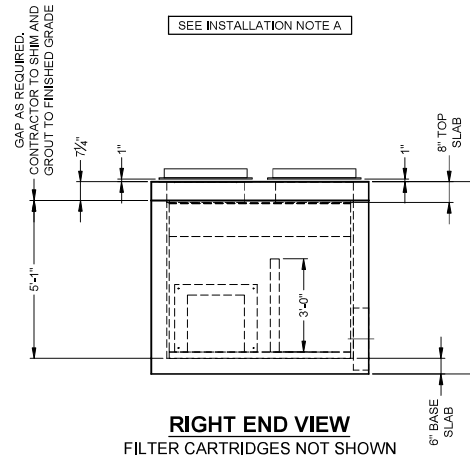


**ELEVATION VIEW
FILTER CARTRIDGES NOT SHOWN**

RIM ELEV. 445.00+/-
TOP OF STRUCTURE ELEV. 444.54

WEIR/TREATMENT HGL ELEV. 442.31

OUTLET 1 INVERT ELEV. 439.10
OUTSIDE BOTTOM ELEV. 438.60



**RIGHT END VIEW
FILTER CARTRIDGES NOT SHOWN**

SITE DESIGN DATA	
TOTAL CARTRIDGE FLOW RATE (CFS)	1.17
SURFACE LOADING	HS-20
GROUNDWATER ELEVATION*	439.10

*GROUNDWATER ELEVATION IS ASSUMED. EOR TO PROVIDE IF KNOWN

STRUCTURE DETAILS	
NUMBER OF DELIVERED PIECES (DOES NOT INCLUDE GRADE RINGS/RISERS)	2
MAXIMUM FOOTPRINT	7.00' x 9.00'
DELIVERED HEAVIEST PICK*	16275 LB.
TOP SLAB	5100 LB.
BASE SECTION	15725 LB.
INTERNAL COMPONENTS	275 LB.
CARTRIDGES (31)	275 LB.

*BASE SECTION SHIPPED WITH INTERNAL COMPONENTS AND CARTRIDGES INSTALLED

U:\KRAFT\NETWORK\TECHNICAL\PROJECTS\ACTIVITY\855187\DISCOUNT TIRE\KRAKEN FILTER DRAWING\855187-10-KFPD0608-G-CON FAB.DWG, 12/20/25 2:18 PM

The design and information shown on this drawing is provided as a service to the project owner, engineer and contractor by Contech Engineered Solutions LLC, "Contech". Neither this drawing nor any part thereof may be copied, reproduced or modified in any manner without the prior written consent of Contech. Failure to comply is done at the user's own risk and Contech expressly disclaims any liability or responsibility for such use.

If discrepancies between the supplied information upon which this drawing is based and actual field conditions are encountered at the work progress, these discrepancies must be reported to Contech immediately for re-evaluation of the design. Contech accepts no liability for designs based on missing, incomplete or inaccurate information supplied by others.

MARK	DATE	REVISION DESCRIPTION	BY

CONTECH
ENGINEERED SOLUTIONS
A QUIKRETE COMPANY

9100 Centre Pointe Dr., Suite 400, West Chester, OH 45069
800-338-1122 513-645-7000 513-645-7993 FAX

THE KRAKEN
FOR PATENT INFORMATION, GO TO www.ContechES.com/FP

CONTECH
FABRICATION
DRAWING

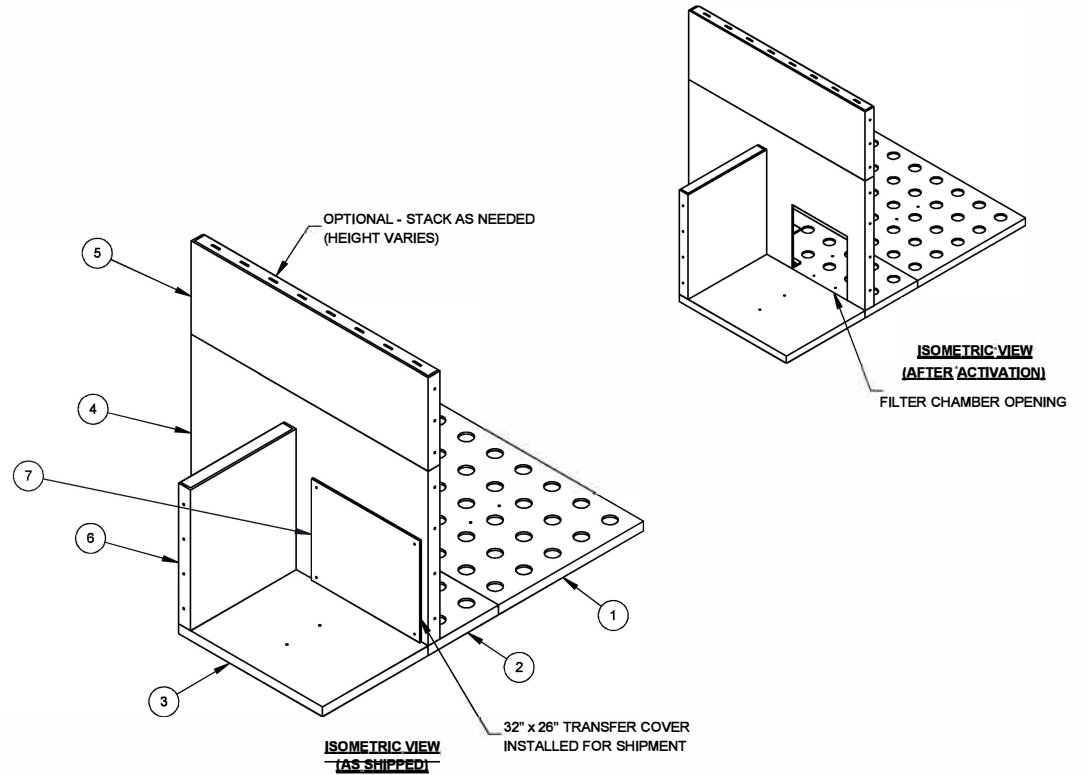
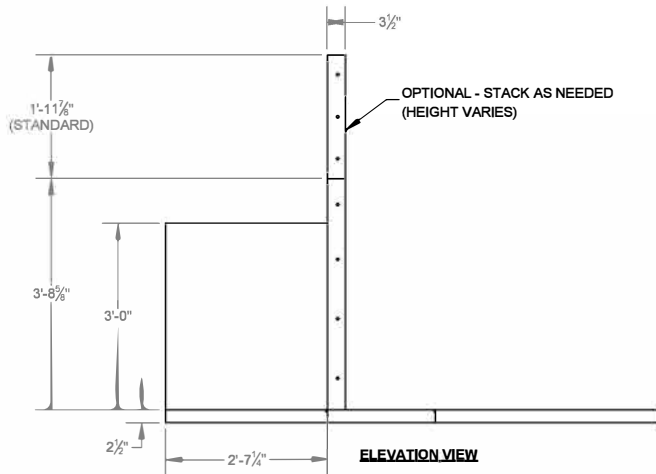
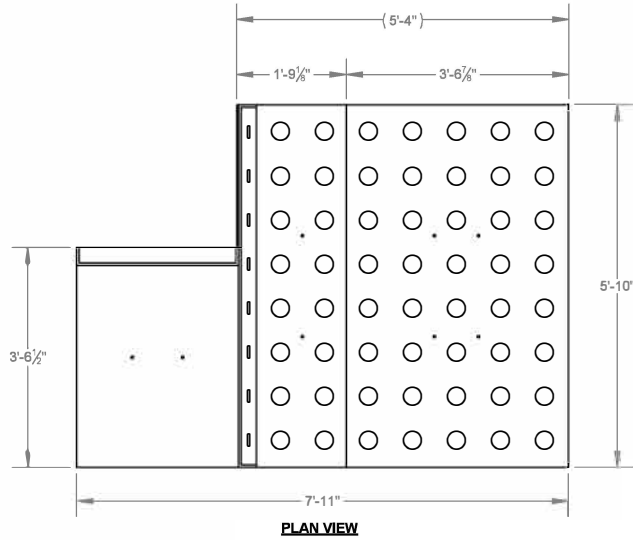
HC KRAKEN KFPD0608-G - 855187-10
DISCOUNT TIRE HERMITAGE
HERMITAGE, TN
SITE DESIGNATION: 302

PROJECT No.	SEQ. No.	DATE
855187	10	9/26/2025
DESIGNED: JR	DRAWN: MAA	
CHECKED: JR	APPROVED: JR	
SHEET NO.	2 OF 2	

ICAST
5888 / 757440
LAYOUT 6 / CLASS 600
KFPD-6-8 (LEFT)
10.06 TS
0,00 TR

25-4692 - 855187 DISCOUNT TIRE ASSEMBLY INFORMATION 10-KFPD0608

ITEM NO.	PART NO.	DESCRIPTION	QTY.
1	325-004394	FALSE FLOOR - 6FT - 5-ROW END PANEL	1
2	325-004395	FALSE FLOOR - 6FT - 2-ROW PANEL	1
3	325-004396	FALSE FLOOR - INLET BAY PANEL (HC KFPD0608) - LEFT	1
4	325-004398	SEPARATOR WALL - 6FT - BOTTOM SECTION - LEFT	1
5	325-004400	SEPARATOR WALL - 6FT - TOP SECTION (STACK AS NEEDED)	1
6	325-004401	WEIR WALL (HC KFPD0608)	1
7	325-004423	TRANSFER COVER	1



- NOTES:
 1. SEE INSTALLATION GUIDE FOR ADDITIONAL INFORMATION
 2. SEE PROJECT DETAILS FOR ADDITIONAL INFORMATION REGARDING SEPARATOR WALL - TOP SECTION HEIGHTS

The design and information shown on this drawing is provided as a service to the project owner, engineer and contractor by Contech Engineered Solutions LLC, or one of its affiliated companies ("Contech"). In view of this drawing, no engineer, contractor, or other third party may be used, reproduced or modified in any manner without the prior written consent of Contech. Failure to comply is done at the user's own risk and Contech expressly disclaims any liability or responsibility for such use.

If discrepancies between the supplied information upon which the drawings is based and actual field conditions are encountered as site work progresses, those discrepancies must be reported to Contech immediately for re-evaluation of the design. Contech accepts no liability for designs based on missing, incomplete or inaccurate information supplied by others.

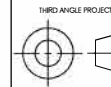
THE KRAKEN[®]

FOR PATENT INFORMATION, GO TO www.contechES.com/IP

CONTECH[®]
ENGINEERED SOLUTIONS LLC

www.contechES.com
 9025 Centre Pointe Dr., Suite 400, West Chester, OH 45069
 800-338-1122 513-645-7000 513-645-7993 FAX

REFERENCE DETAILS
 HC KFPD0608
 ONLINE LEFT INTERNALS



UNLESS OTHERWISE SPECIFIED DIMENSIONS ARE IN INCHES

TOLERANCES:
 FRACTIONAL ± 1/16
 ANGLES ± 1 DEGREE
 TWO PLACE DECIMAL ± 0.06
 THREE PLACE DECIMAL ± 0.030

PART NUMBER		SEE PART NO. IN TABLE ABOVE	
APPROVED BY:	J. FORST	DRAWN BY:	J. FORST
APPROVED BY DATE:	2025.02.18	DRAWN BY DATE:	2025.02.18
SCALE:	N/A	REV:	A
		SHEET 1 OF 1	