

Job Name: 25-4690 - Elk Horn Estates Unit 1  
 Job Location: Winchester, KY  
 Contractor: C&R Asphalt, LLC

Plant: 100

1/26/2026 11:09:30 AM

Tech: J. Horsley - F

PC: T. Lewis



**Structure ID: MH 15**

**P3 GR4**

**GRADE RING F/F**

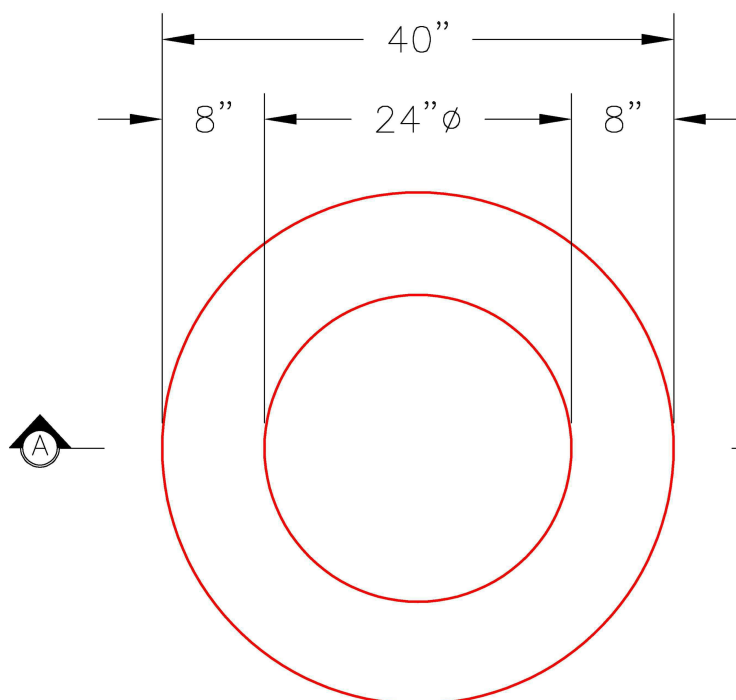
- P4) 24" - CASTING HEIGHT - 7"
- P3) 24" - GRADE RING F/F - 4"
- P2) 48" - ECC CONE w/ 24" HOLE F/G - 30"
- P1) 48" - MH BASE T/n - 30"
- 1) JOINT WRAP - 0.065"x6"x50' CONSEAL CS212
- 1) JOINT WRAP PRIMER - CONSEAL CS-75 (1 gal.)
- 1) 48" - MH INVERT CHANNEL - FULL HEIGHT
- 1) CASTING - HOE MC-315 F/C Sanitary
- 1) 48" - Conseal CS-102 1.00" (Double)
- 1) Quik-Lok - QL-08-C
- 2) PSX - 12-06 NYLO
- 5) MH Step ML-10-TDS-NCR - 10"

0 lb  
 270 lb  
 2050 lb  
 3292 lb  
 0 lb  
 0 lb  
 1440 lb  
 258 lb  
 0 lb  
 1 lb  
 16 lb  
 0 lb

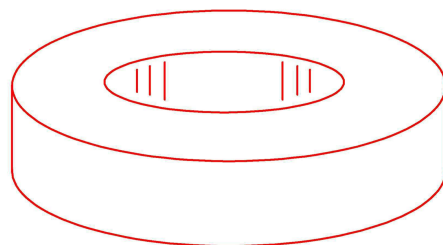
Structure Total: 7327 lb

**Structure Notes:**

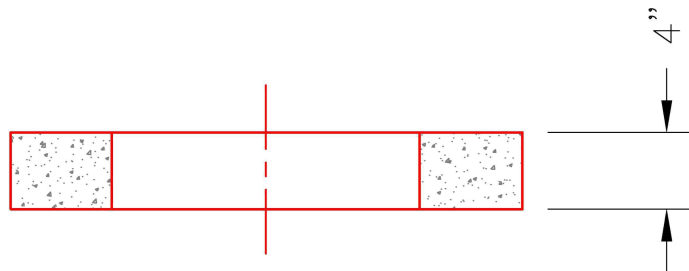
1. PER ASTM C-478 SPECIFICATIONS
2. CONCRETE: 4,000 PSI AT 28 DAYS
3. REINFORCEMENT: (1) #3 HOOP CENTERED (GRADE 60)



**PLAN VIEW**



**ISOMETRIC VIEW**



**SECTION A-A**

Coating (Int):  
 Coating (Ext):

Seam Up: Flat  
 Seam Dn: Flat

Wall Thickness: 8"

Height (Ext): 4"

Weight (Net): 270 lb  
 Volume (Net): 0.07cu.yd