

Job Name: 25-4690 - Elk Horn Estates Unit 1
 Job Location: Winchester, KY
 Contractor: C&R Asphalt, LLC

Plant: 100

Tech: J. Horsley - F

1/26/2026 11:08:45 AM

PC: T. Lewis



Structure ID: MH 15

P1 MH048BA30

MH BASE T/n

P4) 24" - CASTING HEIGHT - 7"	0 lb
P3) 24" - GRADE RING F/F - 4"	270 lb
P2) 48" - ECC CONE w/ 24" HOLE F/G - 30"	2050 lb
P1) 48" - MH BASE T/n - 30"	3292 lb
1) JOINT WRAP - 0.065"x6"x50' CONSEAL CS212	0 lb
1) JOINT WRAP PRIMER - CONSEAL CS-75 (1 gal.)	0 lb
1) 48" - MH INVERT CHANNEL - FULL HEIGHT	1440 lb
1) CASTING - HOE MC-315 F/C Sanitary	258 lb
1) 48" - Conseal CS-102 1.00" (Double)	0 lb
1) Quik-Lok - QL-08-C	1 lb
2) PSX - 12-06 NYLO	16 lb
5) MH Step ML-10-TDS-NCR - 10"	0 lb
Structure Total:	7327 lb

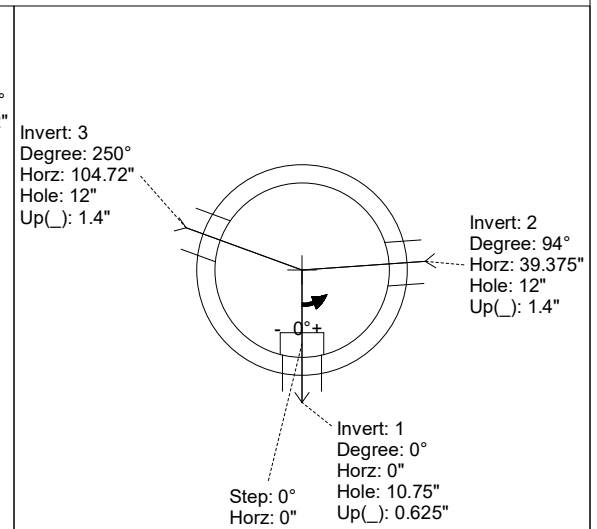
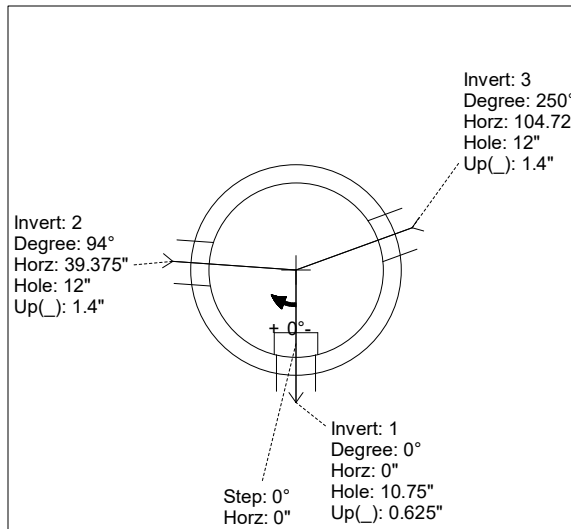
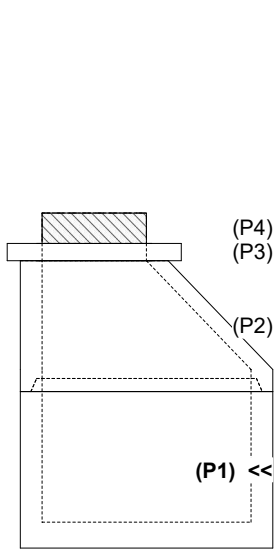
Structure Notes:
 1. PER ASTM C-478 SPECIFICATIONS
 2. CONCRETE: 4,000 PSI AT 28 DAYS
 3. REINFORCEMENT: PER ASTM A615
 4. INVERT CHANNEL REQUIRED
 5. STEPS AT 0 DEGREES
 6. HOE MC-315 FRAME & COVER "SANITARY" SUPPLIED BY ICAST

Rim: 1042.25' Rim to Invert: 5.8' Slack: 0.6" Sump: 2" Step Position: 0°

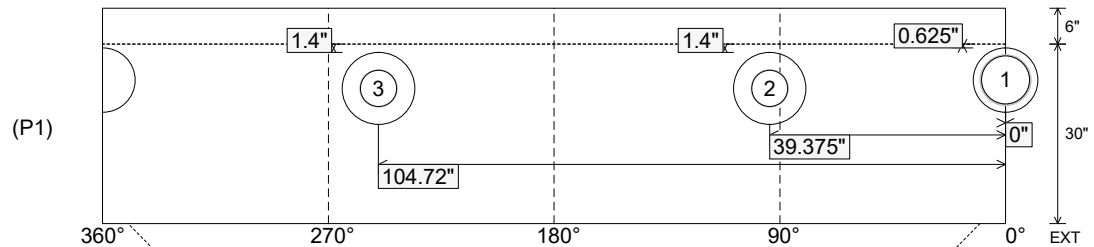
Position	Elev	Angle	Ext. (cw)	Pipe	Pipe OD	Connector	Hole	Horz Size	Up ()	Offset
Invert 1	1036.45'	0°	0"	8" PVC SDR26	8.5"	Quik-Lok QL-08-C	10.75"	10.842"	0.625"	0"
Invert 2	1036.65'	94°	47.578"	6" PVC SDR26	6.25"	PSX 12-06 NYLO	12"	12.129"	1.4"	0"
Invert 3	1036.65'	250°	126.536"	6" PVC SDR26	6.25"	PSX 12-06 NYLO	12"	12.129"	1.4"	0"
Invert 4										
Invert 5										
Invert 6										
Invert 7										
Invert 8										

RIGHT-SIDE UP VIEW (int. dimensions)

UPSIDE-DOWN VIEW (int. dimensions)



INSIDE WALL DIMENSIONS



Coating (Int):
Coating (Ext):

Seam Up: Tongue
Seam Dn: n/a

Wall Thickness: 5"
Floor Height: 6"

Height (Int): 30"
Height (Ext): 36"

Weight (Net): 3292 lb
Volume (Net): 0.84cu.yd

Structure ID: MH 15

P1 MH048BA30

MH BASE T/n

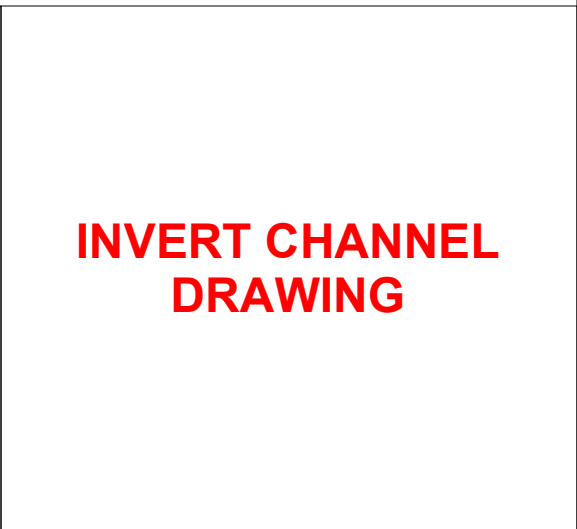
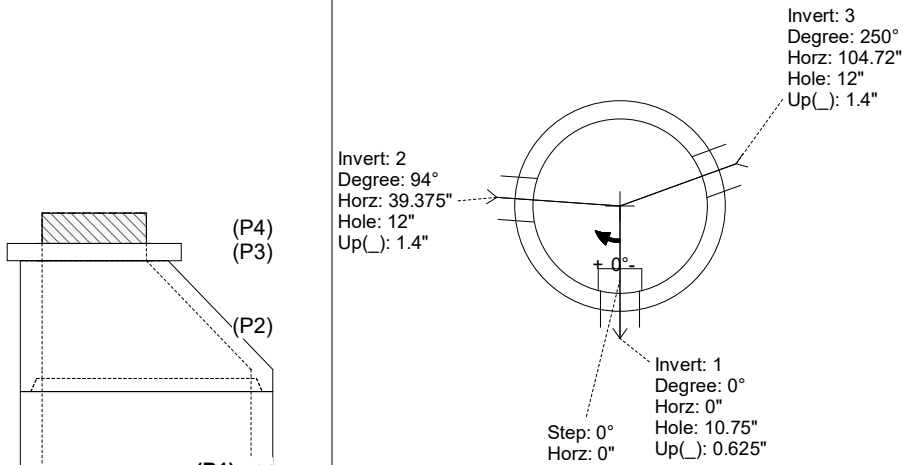
P4) 24" - CASTING HEIGHT - 7" P3) 24" - GRADE RING F/F - 4" P2) 48" - ECC CONE w/ 24" HOLE F/G - 30" P1) 48" - MH BASE T/n - 30" 1) JOINT WRAP - 0.065"x6"x50' CONSEAL CS212 1) JOINT WRAP PRIMER - CONSEAL CS-75 (1 gal.) 1) 48" - MH INVERT CHANNEL - FULL HEIGHT 1) CASTING - HOE MC-315 F/C Sanitary 1) 48" - Conseal CS-102 1.00" (Double) 1) Quik-Lok - QL-08-C 2) PSX - 12-06 NYLO 5) MH Step ML-10-TDS-NCR - 10"	0 lb 270 lb 2050 lb 3292 lb 0 lb 0 lb 1440 lb 258 lb 0 lb 1 lb 16 lb 0 lb ----- Structure Total: 7327 lb
---	---

Structure Notes:
 1. PER ASTM C-478 SPECIFICATIONS
 2. CONCRETE: 4,000 PSI AT 28 DAYS
 3. REINFORCEMENT: PER ASTM A615
 4. INVERT CHANNEL REQUIRED
 5. STEPS AT 0 DEGREES
 6. HOE MC-315 FRAME & COVER "SANITARY" SUPPLIED BY ICAST

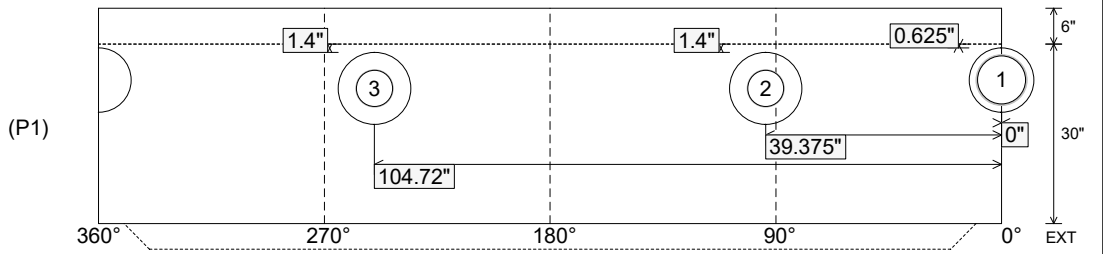
Rim: 1042.25' Rim to Invert: 5.8' Slack: 0.6" Sump: 2" Step Position: 0°

Position	Elev	Angle	Ext. (cw)	Pipe	Pipe OD	Connector	Hole	Horz Size	Up ()	Offset
Invert 1	1036.45'	0°	0"	8" PVC SDR26	8.5"	Quik-Lok QL-08-C	10.75"	10.842"	0.625"	0"
Invert 2	1036.65'	94°	47.578"	6" PVC SDR26	6.25"	PSX 12-06 NYLO	12"	12.129"	1.4"	0"
Invert 3	1036.65'	250°	126.536"	6" PVC SDR26	6.25"	PSX 12-06 NYLO	12"	12.129"	1.4"	0"
Invert 4										
Invert 5										
Invert 6										
Invert 7										
Invert 8										

RIGHT-SIDE UP VIEW (int. dimensions) UPSIDE-DOWN VIEW (int. dimensions)



INSIDE WALL DIMENSIONS



Coating (Int): Coating (Ext):	Seam Up: Tongue Seam Dn: n/a	Wall Thickness: 5" Floor Height: 6"	Height (Int): 30" Height (Ext): 36"	Weight (Net): 3292 lb Volume (Net): 0.84cu.yd
----------------------------------	---------------------------------	--	--	--