

**Job Name: 25-4690 - Elk Horn Estates Unit 1**  
**Job Location: Winchester, KY**  
**Contractor: C&R Asphalt, LLC**

PC: T. Lewis  
 TECH: J. Horsley - F  
 Plant: 100



Structure ID: MH 14

Spec: Sanitary  
 Type: SAN.MH  
 Size: 48"

Rim: 1027.75'  
 Invert: 1021.95'  
 Rim to Invert: 5.8'

Sump: 2"  
 Floor (Top): 1021.783'  
 Floor Height: 6"

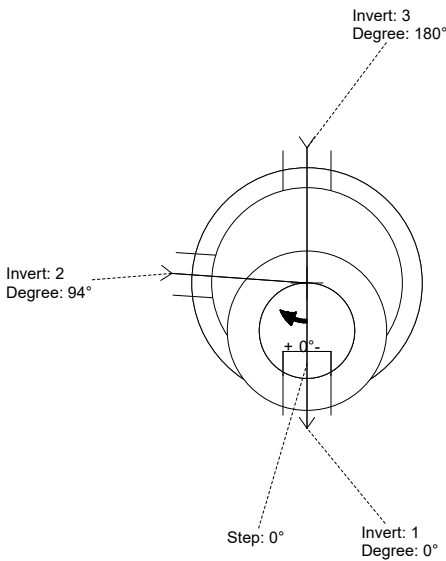
Floor (Bot): 1021.283'  
 Overall Height: 6.417'  
 Slack: 0.6"

**Structure Notes:**

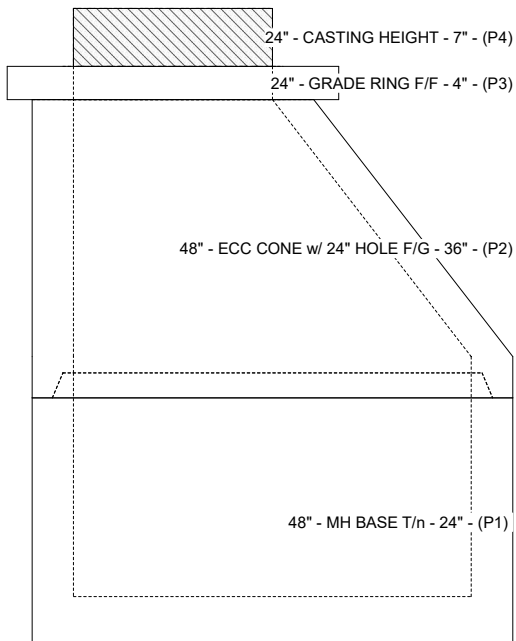
1. PER ASTM C-478 SPECIFICATIONS
2. CONCRETE: 4,000 PSI AT 28 DAYS
3. REINFORCEMENT: PER ASTM A615
4. INVERT CHANNEL REQUIRED
5. STEPS AT 0 DEGREES
6. HOE MC-315 FRAME & COVER "SANITARY" SUPPLIED BY ICAST

**STRUCTURE SUMMARY:**

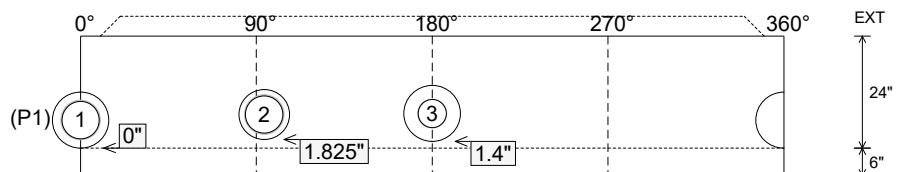
- P4) 24" - CASTING HEIGHT - 7" 0 lb
  - P3) 24" - GRADE RING F/F - 4" 270 lb
  - P2) 48" - ECC CONE w/ 24" HOLE F/G - 36" 3000 lb
  - P1) 48" - MH BASE T/n - 24" 2873 lb
  - 1) JOINT WRAP - 0.065"x6"x50' CONSEAL CS212 0 lb
  - 1) JOINT WRAP PRIMER - CONSEAL CS-75 (1 gal.) 0 lb
  - 1) 48" - MH INVERT CHANNEL - FULL HEIGHT 1440 lb
  - 1) CASTING - HOE MC-315 F/C Sanitary 258 lb
  - 1) 48" - Conseal CS-102 1.00" (Double) 0 lb
  - 1) PSX - 12-08 NYLO 8 lb
  - 1) Quik-Lok - QL-08-C 1 lb
  - 1) PSX - 12-06 NYLO 8 lb
  - 4) MH Step ML-10-TDS-NCR - 10" 0 lb
- Structure Total: 7858 lb



| Position | Elev     | Angle | Pipe         | Pipe OD | Hole   | Connector        | Up (") | Ref |
|----------|----------|-------|--------------|---------|--------|------------------|--------|-----|
| Rim      | 1027.75' |       |              |         |        |                  |        |     |
| Reducer  |          |       |              |         |        |                  |        |     |
| Invert 1 | 1021.95' | 0°    | 8" PVC SDR26 | 8.5"    | 12"    | PSX 12-08 NYLO   | 0"     | P1  |
| Invert 2 | 1022.05' | 94°   | 8" PVC SDR26 | 8.5"    | 10.75" | Quik-Lok QL-08-C | 1.825" | P1  |
| Invert 3 | 1022.15' | 180°  | 6" PVC SDR26 | 6.25"   | 12"    | PSX 12-06 NYLO   | 1.4"   | P1  |
| Invert 4 |          |       |              |         |        |                  |        |     |
| Invert 5 |          |       |              |         |        |                  |        |     |
| Invert 6 |          |       |              |         |        |                  |        |     |
| Invert 7 |          |       |              |         |        |                  |        |     |
| Invert 8 |          |       |              |         |        |                  |        |     |



**Cast (Int. Dim.) - Interior Dimensions**



Submittal Drawing  
 1/26/2026 11:04:03 AM

SUBMITTAL  
 APPROVED BY: