

**Structure ID: MH 14**

**P1 MH048BA24**

**MH BASE T/n**

P4) 24" - CASTING HEIGHT - 7" P3) 24" - GRADE RING F/F - 4" P2) 48" - ECC CONE w/ 24" HOLE F/G - 36" P1) 48" - MH BASE T/n - 24" 1) JOINT WRAP - 0.065"x6"x50' CONSEAL CS212 1) JOINT WRAP PRIMER - CONSEAL CS-75 (1 gal.) 1) 48" - MH INVERT CHANNEL - FULL HEIGHT 1) CASTING - HOE MC-315 F/C Sanitary 1) 48" - Conseal CS-102 1.00" (Double) 1) PSX - 12-08 NYLO 1) Quik-Lok - QL-08-C 1) PSX - 12-06 NYLO 4) MH Step ML-10-TDS-NCR - 10"	0 lb 270 lb 3000 lb 2873 lb 0 lb 0 lb 1440 lb 258 lb 0 lb 8 lb 1 lb 8 lb 0 lb ----- <b>Structure Total: 7858 lb</b>
--	---

**Structure Notes:**

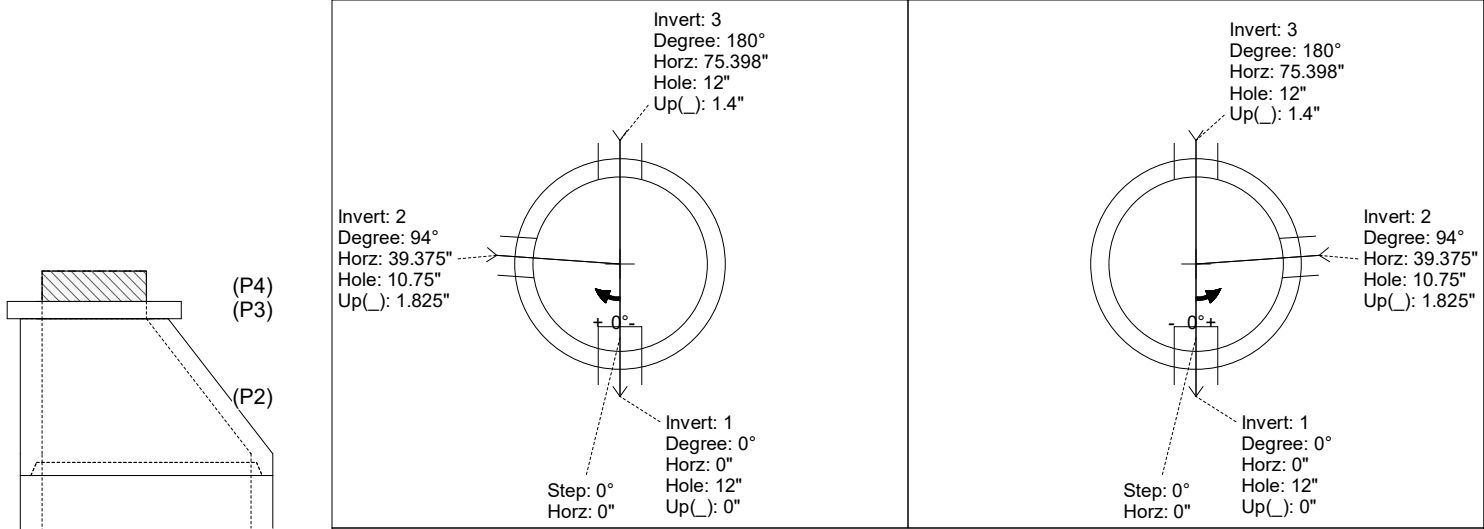
1. PER ASTM C-478 SPECIFICATIONS
2. CONCRETE: 4,000 PSI AT 28 DAYS
3. REINFORCEMENT: PER ASTM A615
4. INVERT CHANNEL REQUIRED
5. STEPS AT 0 DEGREES
6. HOE MC-315 FRAME & COVER "SANITARY" SUPPLIED BY ICAST

Rim: 1027.75'    Rim to Invert: 5.8'    Slack: 0.6"    Sump: 2"    Step Position: 0°

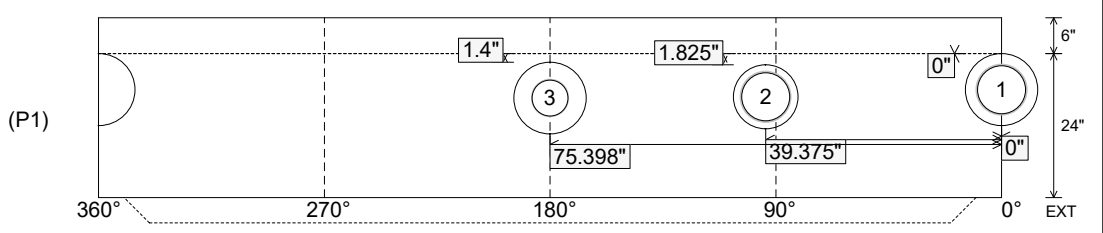
Position	Elev	Angle	Ext. (cw)	Pipe	Pipe OD	Connector	Hole	Horz Size	Up ( )	Offset
Invert 1	1021.95'	0°	0"	8" PVC SDR26	8.5"	PSX 12-08 NYLO	12"	12.129"	0"	0"
Invert 2	1022.05'	94°	47.578"	8" PVC SDR26	8.5"	Quik-Lok QL-08-C	10.75"	10.842"	1.825"	0"
Invert 3	1022.15'	180°	91.106"	6" PVC SDR26	6.25"	PSX 12-06 NYLO	12"	12.129"	1.4"	0"
Invert 4										
Invert 5										
Invert 6										
Invert 7										
Invert 8										

**RIGHT-SIDE UP VIEW (int. dimensions)**

**UPSIDE-DOWN VIEW (int. dimensions)**



**INSIDE WALL DIMENSIONS**



Coating (Int): Coating (Ext):	Seam Up: Tongue Seam Dn: n/a	Wall Thickness: 5" Floor Height: 6"	Height (Int): 24" Height (Ext): 30"	Weight (Net): 2873 lb Volume (Net): 0.73cu.yd
----------------------------------	---------------------------------	--	--	--

**Structure ID: MH 14**

**P1 MH048BA24**

**MH BASE T/n**

P4) 24" - CASTING HEIGHT - 7" P3) 24" - GRADE RING F/F - 4" P2) 48" - ECC CONE w/ 24" HOLE F/G - 36" P1) 48" - MH BASE T/n - 24" 1) JOINT WRAP - 0.065"x6"x50' CONSEAL CS212 1) JOINT WRAP PRIMER - CONSEAL CS-75 (1 gal.) 1) 48" - MH INVERT CHANNEL - FULL HEIGHT 1) CASTING - HOE MC-315 F/C Sanitary 1) 48" - Conseal CS-102 1.00" (Double) 1) PSX - 12-08 NYLO 1) Quik-Lok - QL-08-C 1) PSX - 12-06 NYLO 4) MH Step ML-10-TDS-NCR - 10"	0 lb 270 lb 3000 lb 2873 lb 0 lb 0 lb 1440 lb 258 lb 0 lb 8 lb 1 lb 8 lb 0 lb ----- Structure Total: 7858 lb
--	--

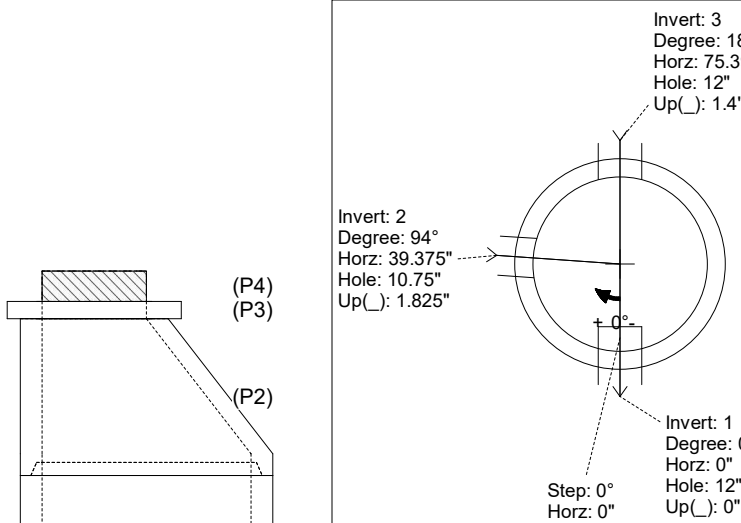
**Structure Notes:**

1. PER ASTM C-478 SPECIFICATIONS
2. CONCRETE: 4,000 PSI AT 28 DAYS
3. REINFORCEMENT: PER ASTM A615
4. INVERT CHANNEL REQUIRED
5. STEPS AT 0 DEGREES
6. HOE MC-315 FRAME & COVER "SANITARY" SUPPLIED BY ICAST

Rim: 1027.75'    Rim to Invert: 5.8'    Slack: 0.6"    Sump: 2"    Step Position: 0°

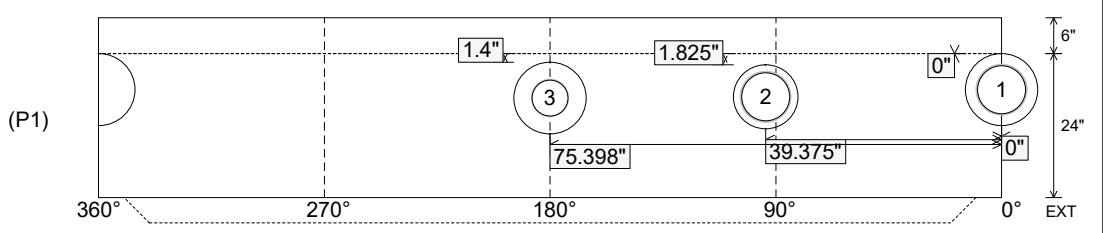
Position	Elev	Angle	Ext. (cw)	Pipe	Pipe OD	Connector	Hole	Horz Size	Up ( )	Offset
Invert 1	1021.95'	0°	0"	8" PVC SDR26	8.5"	PSX 12-08 NYLO	12"	12.129"	0"	0"
Invert 2	1022.05'	94°	47.578"	8" PVC SDR26	8.5"	Quik-Lok QL-08-C	10.75"	10.842"	1.825"	0"
Invert 3	1022.15'	180°	91.106"	6" PVC SDR26	6.25"	PSX 12-06 NYLO	12"	12.129"	1.4"	0"
Invert 4										
Invert 5										
Invert 6										
Invert 7										
Invert 8										

**RIGHT-SIDE UP VIEW (int. dimensions)      UPSIDE-DOWN VIEW (int. dimensions)**



INVERT CHANNEL DRAWING

**INSIDE WALL DIMENSIONS**



Coating (Int): Coating (Ext):	Seam Up: Tongue Seam Dn: n/a	Wall Thickness: 5" Floor Height: 6"	Height (Int): 24" Height (Ext): 30"	Weight (Net): 2873 lb Volume (Net): 0.73cu.yd
----------------------------------	---------------------------------	--	--	--