

**Job Name: 25-4690 - Elk Horn Estates Unit 1**  
**Job Location: Winchester, KY**  
**Contractor: C&R Asphalt, LLC**

PC: T. Lewis  
 TECH: J. Horsley - F  
 Plant: 100



Structure ID: **MH 13**

Spec: Sanitary  
 Type: SAN.MH  
 Size: 48"

Rim: 1032.75'  
 Invert: 1019.95'  
 Rim to Invert: 12.8'

Sump: 2"  
 Floor (Top): 1019.783'  
 Floor Height: 6"

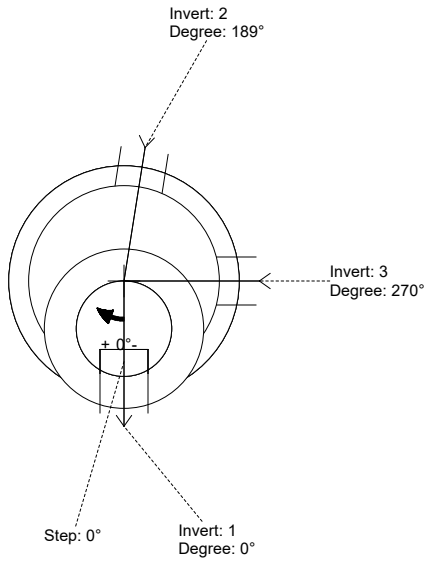
Floor (Bot): 1019.283'  
 Overall Height: 13.417'  
 Slack: 0.6"

**Structure Notes:**

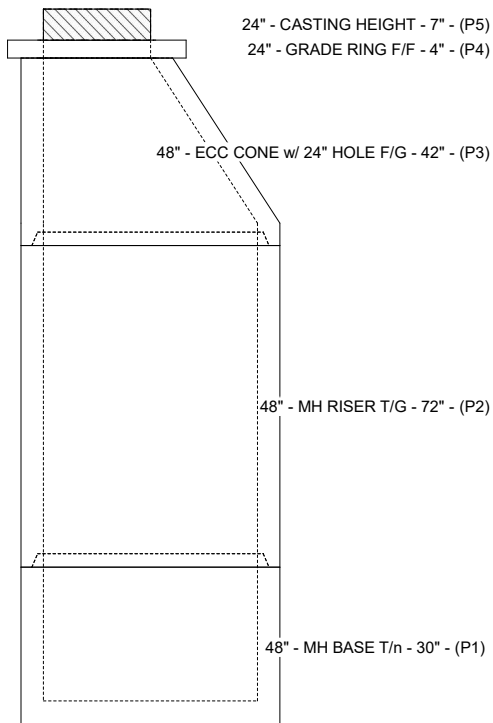
- PER ASTM C-478 SPECIFICATIONS
- CONCRETE: 4,000 PSI AT 28 DAYS
- REINFORCEMENT: PER ASTM A615
- INVERT CHANNEL REQUIRED
- STEPS AT 0 DEGREES
- HOE MC-315 FRAME & COVER "SANITARY" SUPPLIED BY ICAST

**STRUCTURE SUMMARY:**

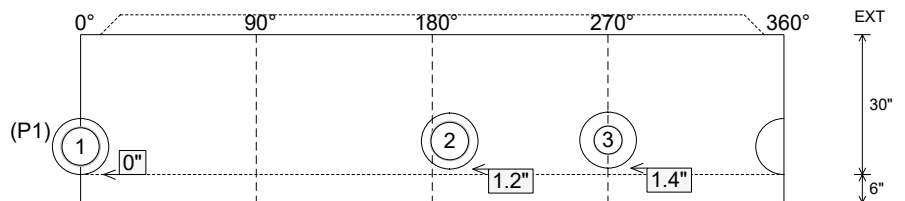
- P5) 24" - CASTING HEIGHT - 7" 0 lb
  - P4) 24" - GRADE RING F/F - 4" 270 lb
  - P3) 48" - ECC CONE w/ 24" HOLE F/G - 42" 3200 lb
  - P2) 48" - MH RISER T/G - 72" 5030 lb
  - P1) 48" - MH BASE T/n - 30" 3282 lb
  - 1) JOINT WRAP - 0.065"x6"x50' CONSEAL CS212 0 lb
  - 1) JOINT WRAP PRIMER - CONSEAL CS-75 (1 gal.) 0 lb
  - 1) 48" - MH INVERT CHANNEL - FULL HEIGHT 1440 lb
  - 1) CASTING - HOE MC-315 F/C Sanitary 258 lb
  - 2) 48" - Conseal CS-102 1.00" (Double) 0 lb
  - 2) PSX - 12-08 NYLO 16 lb
  - 1) PSX - 12-06 NYLO 8 lb
  - 12) MH Step ML-10-TDS-NCR - 10" 0 lb
- Structure Total: 13504 lb**



Position	Elev	Angle	Pipe	Pipe OD	Hole	Connector	Up (L)	Ref
Rim	1032.75'							
Reducer								
Invert 1	1019.95'	0°	8" PVC SDR26	8.5"	12"	PSX 12-08 NYLO	0"	P1
Invert 2	1020.05'	189°	8" PVC SDR26	8.5"	12"	PSX 12-08 NYLO	1.2"	P1
Invert 3	1020.15'	270°	6" PVC SDR26	6.25"	12"	PSX 12-06 NYLO	1.4"	P1
Invert 4								
Invert 5								
Invert 6								
Invert 7								
Invert 8								



**Cast (Int. Dim.) - Interior Dimensions**



Submittal Drawing  
 1/26/2026 11:04:02 AM

SUBMITTAL  
 APPROVED BY: