

Job Name: 25-4690 - Elk Horn Estates Unit 1
Job Location: Winchester, KY
Contractor: C&R Asphalt, LLC

PC: T. Lewis
 TECH: J. Horsley - F
 Plant: 100



Structure ID: MH 12

Spec: Sanitary
 Type: SAN.MH
 Size: 48"

Rim: 1023.5'
 Invert: 1017.95'
 Rim to Invert: 5.55'

Sump: 2"
 Floor (Top): 1017.783'
 Floor Height: 6"

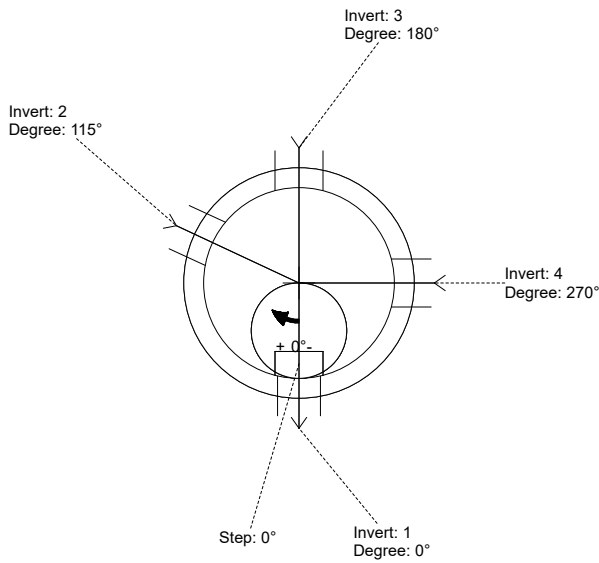
Floor (Bot): 1017.283'
 Overall Height: 6.083'
 Slack: 1.6"

Structure Notes:

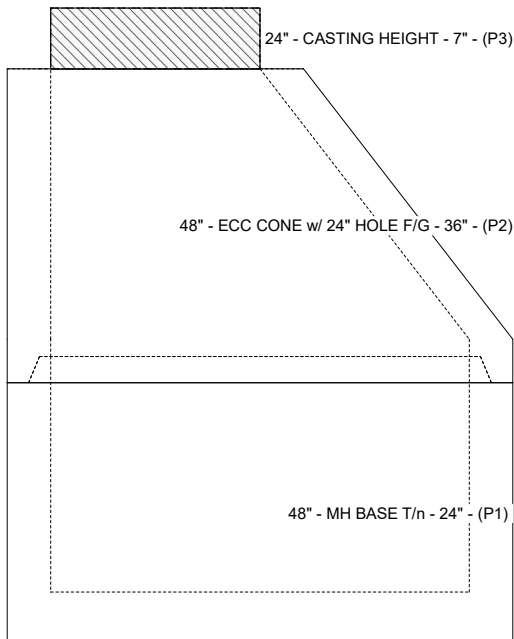
1. PER ASTM C-478 SPECIFICATIONS
2. CONCRETE: 4,000 PSI AT 28 DAYS
3. REINFORCEMENT: PER ASTM A615
4. INVERT CHANNEL REQUIRED
5. STEPS AT 0 DEGREES
6. HOE MC-315 FRAME & COVER "SANITARY" SUPPLIED BY ICAST

STRUCTURE SUMMARY:

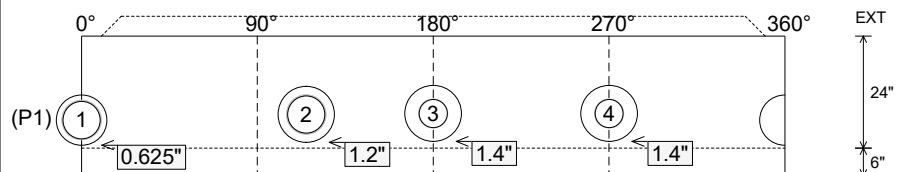
- P3) 24" - CASTING HEIGHT - 7" 0 lb
 - P2) 48" - ECC CONE w/ 24" HOLE F/G - 36" 3000 lb
 - P1) 48" - MH BASE T/n - 24" 2825 lb
 - 1) JOINT WRAP - 0.065"x6"x50' CONSEAL CS212 0 lb
 - 1) JOINT WRAP PRIMER - CONSEAL CS-75 (1 gal.) 0 lb
 - 1) 48" - MH INVERT CHANNEL - FULL HEIGHT 1440 lb
 - 1) CASTING - HOE MC-315 F/C Sanitary 258 lb
 - 1) 48" - Conseal CS-102 1.00" (Double) 0 lb
 - 1) Quik-Lok - QL-08-C 1 lb
 - 1) PSX - 12-08 NYLO 8 lb
 - 2) PSX - 12-06 NYLO 16 lb
 - 4) MH Step ML-10-TDS-NCR - 10" 0 lb
- Structure Total: 7548 lb**



Position	Elev	Angle	Pipe	Pipe OD	Hole	Connector	Up ()	Ref
Rim	1023.5'							
Reducer								
Invert 1	1017.95'	0°	8" PVC SDR26	8.5"	10.75"	Quik-Lok QL-08-C	0.625"	P1
Invert 2	1018.05'	115°	8" PVC SDR26	8.5"	12"	PSX 12-08 NYLO	1.2"	P1
Invert 3	1018.15'	180°	6" PVC SDR26	6.25"	12"	PSX 12-06 NYLO	1.4"	P1
Invert 4	1018.15'	270°	6" PVC SDR26	6.25"	12"	PSX 12-06 NYLO	1.4"	P1
Invert 5								
Invert 6								
Invert 7								
Invert 8								



Cast (Int. Dim.) - Interior Dimensions



Submittal Drawing
 1/26/2026 11:04:02 AM

SUBMITTAL
 APPROVED BY: