

**Job Name: 25-4690 - Elk Horn Estates Unit 1**  
**Job Location: Winchester, KY**  
**Contractor: C&R Asphalt, LLC**

PC: T. Lewis  
 TECH: J. Horsley - F  
 Plant: 100



Structure ID: **JB1**

Spec: Storm  
 Type: STM.MH (Recessed pipe)  
 Size: 48"

Rim: 1004.5'  
 Invert: 996.5'  
 Rim to Invert: 8'

Sump: 0"  
 Floor (Top): 996.5'  
 Floor Height: 6"

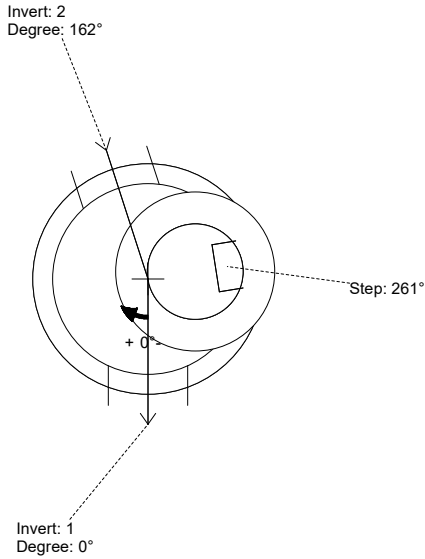
Floor (Bot): 996'  
 Overall Height: 8.417'  
 Slack: 1"

**Structure Notes:**

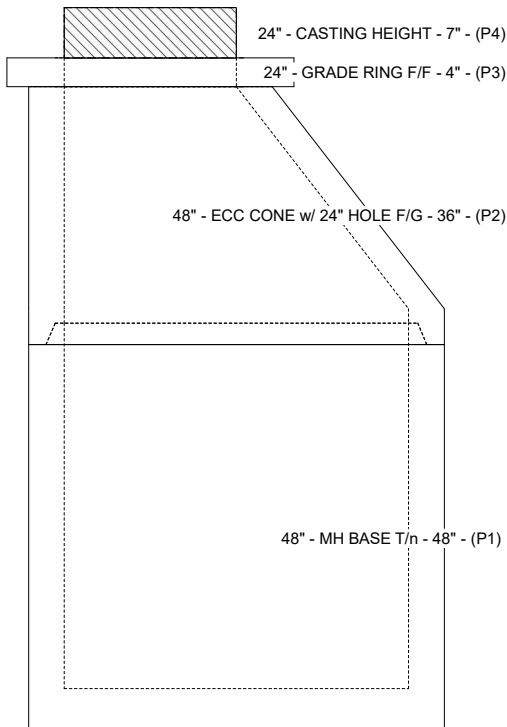
1. PER ASTM C-478 SPECIFICATIONS
2. CONCRETE: 4,000 PSI AT 28 DAYS
3. REINFORCEMENT: PER ASTM A615
4. NO STORM INVERT
5. STEPS AT 261 DEGREES
6. HOE MCB-315-R FRAME & RADIAL GRATE SUPPLIED BY ICAST

**STRUCTURE SUMMARY:**

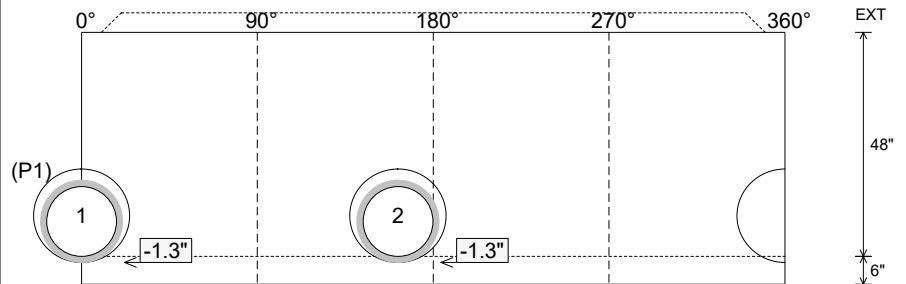
- P4) 24" - CASTING HEIGHT - 7" 0 lb
  - P3) 24" - GRADE RING F/F - 4" 270 lb
  - P2) 48" - ECC CONE w/ 24" HOLE F/G - 36" 3000 lb
  - P1) 48" - MH BASE T/n - 48" 4413 lb
  - 1) CASTING - HOE MCB-315-R F/G 258 lb
  - 1) 48" - Conseal CS-102 1.00" 0 lb
  - 2) Hole - 20 0 lb
  - 7) MH Step ML-10-TDS-NCR - 10" 0 lb
- Structure Total: 7941 lb**



Position	Elev	Angle	Pipe	Pipe OD	Hole	Connector	Up (")	Ref
Rim	1004.5'							
Reducer								
Invert 1	996.5'	0°	15" HDPE	17.6"	20"	Hole 20	-1.3"	P1
Invert 2	996.5'	162°	15" HDPE	17.6"	20"	Hole 20	-1.3"	P1
Invert 3								
Invert 4								
Invert 5								
Invert 6								
Invert 7								
Invert 8								



**Cast (Int. Dim.) - Interior Dimensions**



Submittal Drawing  
 1/26/2026 11:03:57 AM

SUBMITTAL  
 APPROVED BY: