

Job Name: 25-4690 - Elk Horn Estates Unit 1
Job Location: Winchester, KY
Contractor: C&R Asphalt, LLC

PC: T. Lewis
 TECH: J. Horsley - F
 Plant: 100



Structure ID: **5752**
 Spec: KYTC
 Type: CBI TYPE A (5')
 Size: 24" x 36"

Rim: 1031.88'
 Invert: 1028'
 Rim to Invert: 3.88'

Sump: 0"
 Floor (Top): 1028'
 Floor Height: 8"

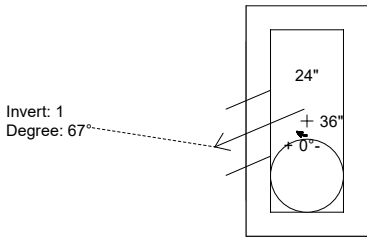
Floor (Bot): 1027.333'
 Overall Height: 4.5'
 Slack: 0.56"

- Structure Notes:**
- PER KYTC CBI TYPE A / ASTM C-913 SPECIFICATIONS
 - CONCRETE: 4,000 PSI AT 28 DAYS
 - REINFORCEMENT:
 - TOP PHASE TOP: #5 BAR @ 6" C.C. E.W. (GRADE 60)
 - TOP PHASE BOTTOM: #5 BAR @ 12" C.C. E.W. (GRADE 60)
 - PIPE CHAMBER: #5 BAR @ 12" C.C. E.W. (GRADE 60)
 - NO STORM INVERT
 - NO STEPS
 - HOE KY-206 FRAME & COVER "STORM" SUPPLIED BY ICAST - FRAME TO BE CAST INTO TOP PHASE TOP FLANGE SIDE UP

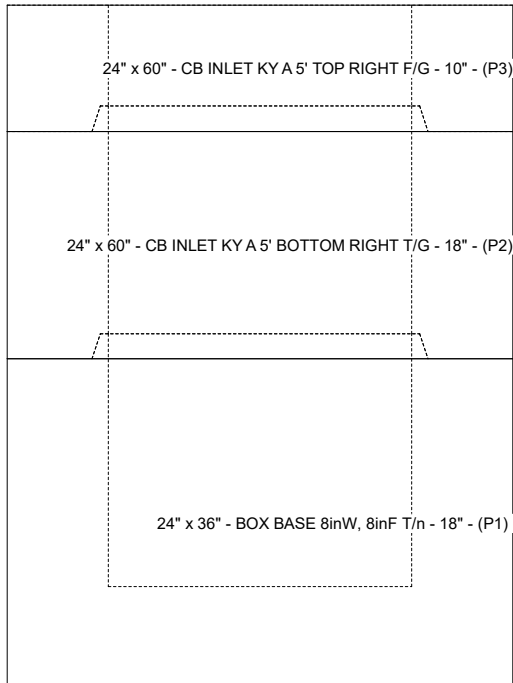
STRUCTURE SUMMARY:

P3) 24" x 60" - CB INLET KY A 5' TOP RIGHT F/G - 10" 1895 lb
 P2) 24" x 60" - CB INLET KY A 5' BOTTOM RIGHT T/G - 18" 2670 lb
 P1) 24" x 36" - BOX BASE 8inW, 8inF T/n - 18" 2965 lb
 1) CASTING - HOE KY-206 F/C (KY CBI A) 206 lb
 1) This Structure Includes a Cast-in Item - HOE KY-206 Frame 0 lb
 1) 24" x 36" - Conseal CS-102 1.00" 0 lb
 1) DOGHOUSE INVRTD - 20"x20" 0 lb

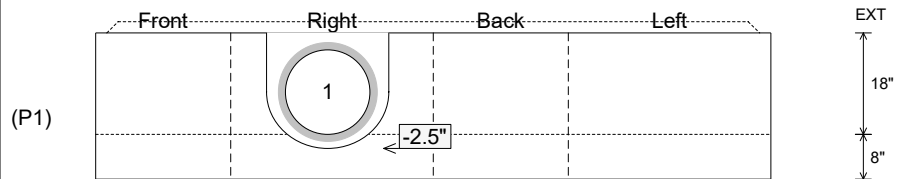
 Structure Total: 7736 lb



Position	Elev	Angle	Pipe	Pipe OD	Hole	Connector	Up ()	Ref
Rim	1031.88'							
Reducer								
Invert 1	1028'	67°	15" HDPE	17.6"	20" x 20"	DOGHOUSE INVRTD 20"x20"	-2.5"	P1
Invert 2								
Invert 3								
Invert 4								
Invert 5								
Invert 6								
Invert 7								
Invert 8								



Cast (Int. Dim.) - Interior Dimensions



Submittal Drawing
 1/26/2026 11:04:01 AM

SUBMITTAL
 APPROVED BY: