

Job Name: 25-4690 - Elk Horn Estates Unit 1
Job Location: Winchester, KY
Contractor: C&R Asphalt, LLC

PC: T. Lewis
 TECH: J. Horsley - F
 Plant: 100



Structure ID: **1434R**
 Spec: KYTC
 Type: CBI TYPE A (5')
 Size: 24" x 36"

Rim: 1031'
 Invert: 1026.5'
 Rim to Invert: 4.5'

Sump: 0"
 Floor (Top): 1026.5'
 Floor Height: 8"

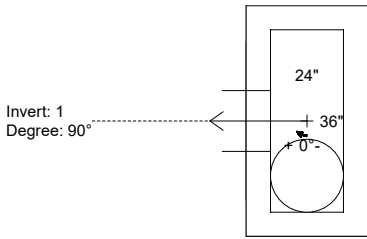
Floor (Bot): 1025.833'
 Overall Height: 5.167'
 Slack: 0"

Structure Notes:

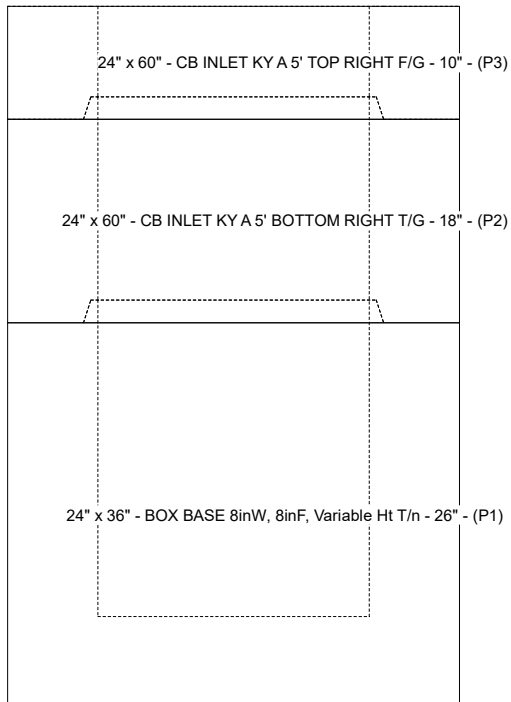
- PER KYTC CBI TYPE A / ASTM C-913 SPECIFICATIONS
- CONCRETE: 4,000 PSI AT 28 DAYS
- REINFORCEMENT:
 - TOP PHASE TOP: #5 BAR @ 6" C.C. E.W. (GRADE 60)
 - TOP PHASE BOTTOM: #5 BAR @ 12" C.C. E.W. (GRADE 60)
 - PIPE CHAMBER: #5 BAR @ 12" C.C. E.W. (GRADE 60)
- NO STORM INVERT
- NO STEPS
- HOE KY-206 FRAME & COVER "STORM" SUPPLIED BY ICAST - FRAME TO BE CAST INTO TOP PHASE TOP FLANGE SIDE UP

STRUCTURE SUMMARY:

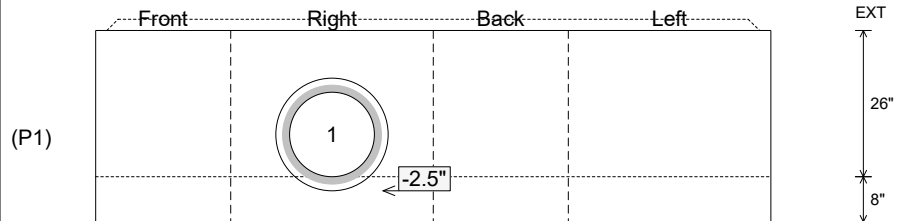
P3) 24" x 60" - CB INLET KY A 5' TOP RIGHT F/G - 10"	1895 lb
P2) 24" x 60" - CB INLET KY A 5' BOTTOM RIGHT T/G - 18"	2670 lb
P1) 24" x 36" - BOX BASE 8inW, 8inF, Variable Ht T/n - 26"	3838 lb
1) CASTING - HOE KY-206 F/C (KY CBI A)	206 lb
1) This Structure Includes a Cast-in Item - HOE KY-206 Frame	0 lb
1) 24" x 36" - Conseal CS-102 1.00"	0 lb
1) Hole - 20	0 lb
Structure Total:	8609 lb



Position	Elev	Angle	Pipe	Pipe OD	Hole	Connector	Up (L)	Ref
Rim	1031'							
Reducer								
Invert 1	1026.5'	90°	15" HDPE	17.6"	20"	Hole 20	-2.5"	P1
Invert 2								
Invert 3								
Invert 4								
Invert 5								
Invert 6								
Invert 7								
Invert 8								



Cast (Int. Dim.) - Interior Dimensions



Submittal Drawing
 1/26/2026 11:04:00 AM

SUBMITTAL
 APPROVED BY: