

Job Name: 25-4690 - Elk Horn Estates Unit 1  
 Job Location: Winchester, KY  
 Contractor: C&R Asphalt, LLC

Plant: 100

1/26/2026 11:08:39 AM

Tech: J. Horsley - F

PC: T. Lewis



**Structure ID: 1060**

**P1 BX2436-08BVF**

**BOX BASE 8inW, 8inF, Variable Ht T/n**

- P3) 24" x 60" - CB INLET KY A 5' TOP SAG F/G - 10"
- P2) 24" x 60" - CB INLET KY A 5' BOTTOM SAG T/G - 18"
- P1) 24" x 36" - BOX BASE 8inW, 8inF, Variable Ht T/n - 47"
- 1) CASTING - HOE KY-206 F/C (KY CBI A)
- 1) This Structure Includes a Cast-in Item - HOE KY-206 Frame
- 1) 24" x 36" - Conseal CS-102 1.00"
- 2) Hole - 20

1895 lb  
 2670 lb  
 5769 lb  
 206 lb  
 0 lb  
 0 lb  
 0 lb  
 -----  
 10540 lb

Structure Total:

**Structure Notes:**

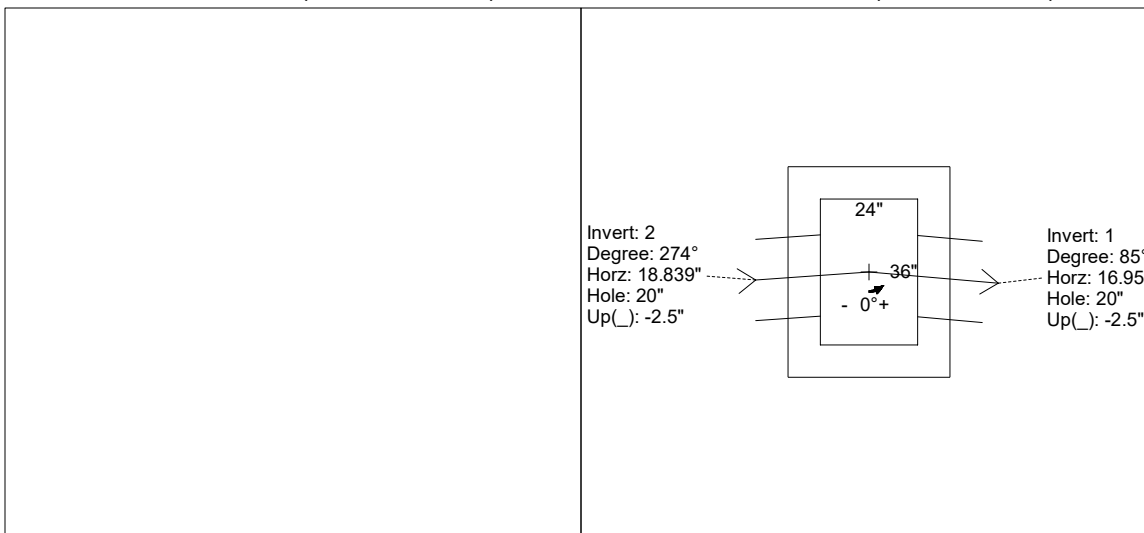
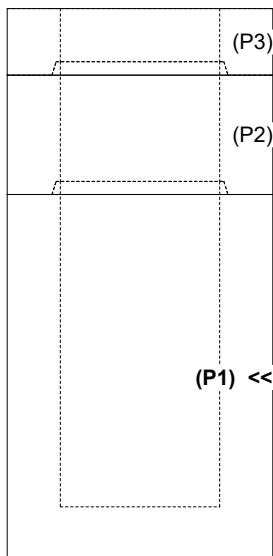
1. PER KYTC CBI TYPE A / ASTM C-913 SPECIFICATIONS
2. CONCRETE: 4,000 PSI AT 28 DAYS
3. REINFORCEMENT: #5 BAR @ 12" C.C. E.W. (GRADE 60) - 2" MIN. REBAR CLEARANCE (TYP)
4. NO STORM INVERT
5. NO STEPS
6. HOE KY-206 FRAME & COVER "STORM" SUPPLIED BY ICAST - FRAME TO BE CAST INTO TOP PHASE TOP FLANGE SIDE UP

Rim: 1018.8' Rim to Invert: 6.3' Slack: 0.6" Sump: 0" Step Position:

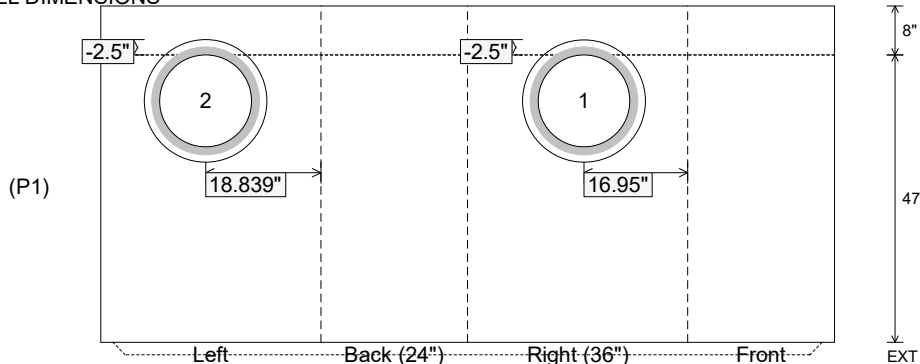
Position	Elev	Angle	Ext. (cw)	Pipe	Pipe OD	Connector	Hole	Horz Size	Up ( )	Offset
Invert 1	1012.5'	85°	24.25"	15" HDPE	17.6"	Hole 20	20"	20.076"	-2.5"	0"
Invert 2	1012.5'	274°	27.399"	15" HDPE	17.6"	Hole 20	20"	20.049"	-2.5"	0"
Invert 3										
Invert 4										
Invert 5										
Invert 6										
Invert 7										
Invert 8										

RIGHT-SIDE UP VIEW (int. dimensions)

UPSIDE-DOWN VIEW (int. dimensions)



INSIDE WALL DIMENSIONS



Coating (Int):  
 Coating (Ext):

Seam Up: Tongue  
 Seam Dn: n/a

Wall Thickness: 8"  
 Floor Height: 8"

Height (Int): 47"  
 Height (Ext): 55"

Weight (Net): 5769 lb  
 Volume (Net): 1.47cu.yd