

Job Name: 25-4686 Fivestar 6585
Job Location: Monticello, KY
Contractor: Weddle Enterprises, Inc

PC: Celina Goff
 TECH: J. Horsley - A
 Plant: 100



Structure ID: 4 (5)
 Spec: Storm
 Type: STM.MH
 Size: 48"

Rim: 952.45'
 Invert: 947.77'
 Rim to Invert: 4.68'

Sump: 1.9"
 Floor (Top): 947.612'
 Floor Height: 6"

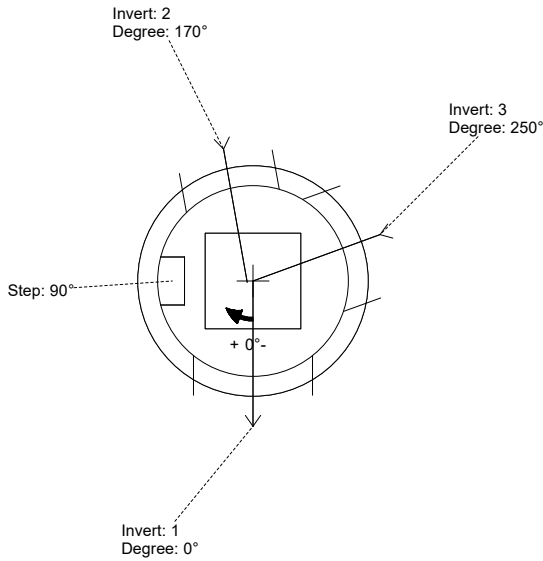
Floor (Bot): 947.112'
 Overall Height: 5.333'
 Slack: 0.06"

Structure Notes:

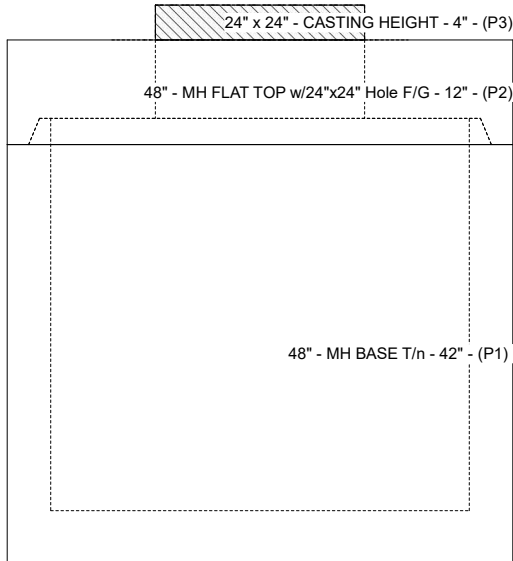
1. PER ASTM C-478 SPECIFICATIONS
2. CONCRETE: 4,000 PSI AT 28 DAYS
3. REINFORCEMENT:
 - FLAT LID: #4 BAR @ 10" C.C. E.W. (GRADE 60)
 - BASE: PER ASTM A615
4. NO STORM INVERT
5. STEPS AT 90 DEGREES
6. HOE 280T FRAME & GRATE SUPPLIED BY OTHERS
7. INVERT 2 OFFSET 1.5" FROM CENTER

STRUCTURE SUMMARY:

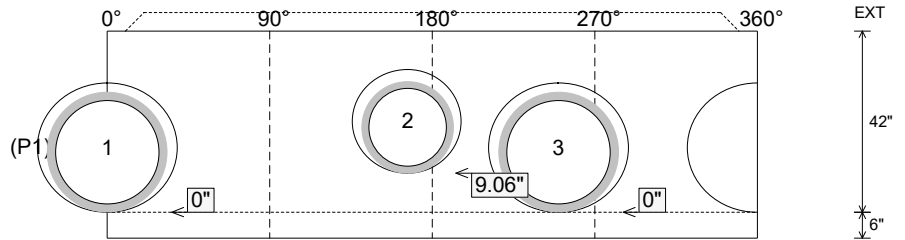
- P3) 24" x 24" - CASTING HEIGHT - 4" 0 lb
 - P2) 48" - MH FLAT TOP w/24"x24" Hole F/G - 12" 1500 lb
 - P1) 48" - MH BASE T/n - 42" 3435 lb
 - 1) 48" - Conseal CS-102 1.00" 0 lb
 - 1) 24" x 24" - Conseal CS-102 1.00" 0 lb
 - 2) Hole - 30 0 lb
 - 1) Hole - 24 0 lb
 - 3) MH Step ML-10-TDS-NCR - 10" 0 lb
- Structure Total: 4935 lb



Position	Elev	Angle	Pipe	Pipe OD	Hole	Connector	Up ()	Ref
Rim	952.45'							
Reducer								
Invert 1	947.77'	0°	24" HDPE	27.8"	30"	Hole 30	0"	P1
Invert 2	948.5'	170°	18" HDPE	21.2"	24"	Hole 24	9.06"	P1
Invert 3	947.77'	250°	24" HDPE	27.8"	30"	Hole 30	0"	P1
Invert 4								
Invert 5								
Invert 6								
Invert 7								
Invert 8								



Cast (Int. Dim.) - Interior Dimensions



Submittal Drawing
 1/24/2026 3:13:23 PM

SUBMITTAL
 APPROVED BY: