

Job Name: 25-4686 Fivestar 6585
 Job Location: Monticello, KY
 Contractor: Weddle Enterprises, Inc

Plant: 100
 1/24/2026 3:32:24 PM

Tech: J. Horsley - A
 PC: Celina Goff



Structure ID: 3 (4)

P2 MH048LD12-24SQ

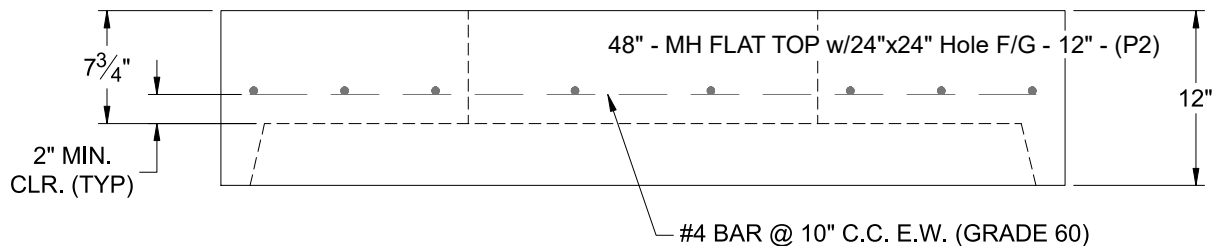
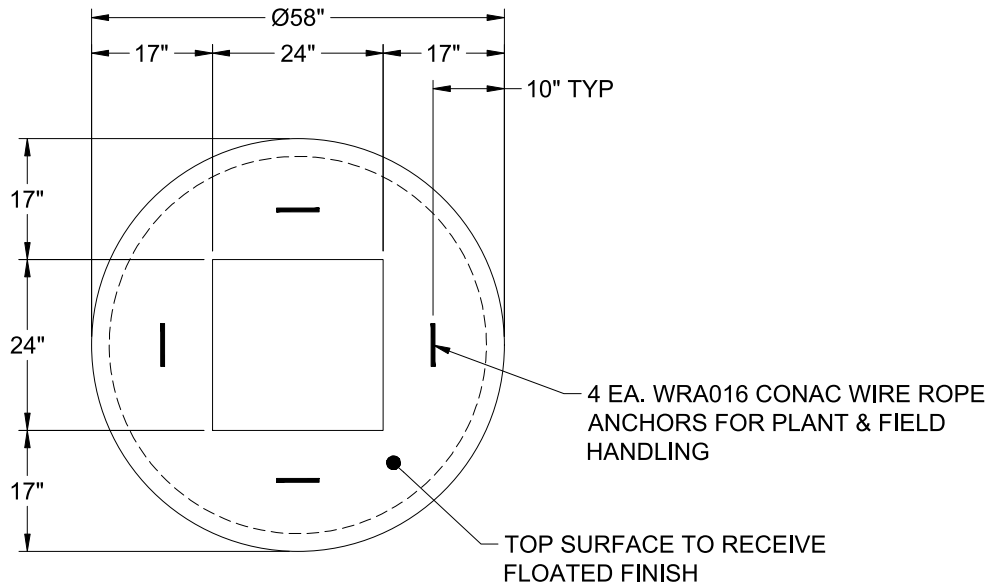
MH FLAT TOP w/24"x24" Hole F/G

- P4) 24" x 24" - CASTING HEIGHT - 4"
- P3) 24" x 24" - GRADE RING F/F - 3"
- P2) 48" - MH FLAT TOP w/24"x24" Hole F/G - 12"
- P1) 48" - MH BASE T/n - 54"
- 1) 48" - Conseal CS-102 1.00"
- 2) 24" x 24" - Conseal CS-102 1.00"
- 1) Hole - 30
- 2) Hole - 10
- 1) Hole - 24
- 1) Hole - 14
- 4) MH Step ML-10-TDS-NCR - 10"

0 lb
 258 lb
 1500 lb
 4458 lb
 0 lb
 0 lb
 0 lb
 0 lb
 0 lb
 0 lb
 0 lb
 0 lb

 Structure Total: 6215 lb

- Structure Notes:
1. PER ASTM C-478 SPECIFICATIONS
 2. CONCRETE: 4,000 PSI AT 28 DAYS
 3. REINFORCEMENT: #4 BAR @ 10" C.C. E.W. (GRADE 60) - 2" MIN. REBAR CLEARANCE (TYP)
 4. HOE 280T FRAME & GRATE SUPPLIED BY OTHERS
 5. LIFTERS: 4 EA. WRA016 CONAC WIRE ROPE ANCHORS FOR PLANT & FIELD HANDLING
 6. TOP SURFACE TO RECEIVE FLOATED FINISH



Coating (Int):
 Coating (Ext):

Seam Up: Flat
 Seam Dn: Groove

Wall Thickness: 5"

Height (Ext): 12"

Weight (Net): 1500 lb
 Volume (Net): 0.37cu.yd