

Job Name: 25-4686 Fivestar 6585 Job Location: Monticello, KY Contractor: Weddle Enterprises, Inc	Plant: 100 1/24/2026 3:32:05 PM	Tech: J. Horsley - A PC: Celina Goff	
--	------------------------------------	---	--

**Structure ID: 2 (3)**

**P1 BX2424-08BAVF**

**BOX BASE 8inW, 8inF, Variable Ht F/n**

- P2) 24" x 24" - CASTING HEIGHT - 4"
- P1) 24" x 24" - BOX BASE 8inW, 8inF, Variable Ht F/n - 53"
- 1) 24" x 24" - Conseal CS-102 1.00"
- 1) Hole - 24
- 1) Hole - 14
- 1) Hole - 18

0 lb  
5126 lb  
0 lb  
0 lb  
0 lb  
0 lb  
0 lb  
Structure Total: 5126 lb

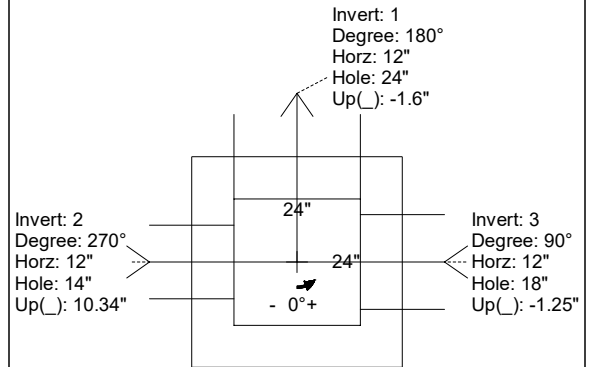
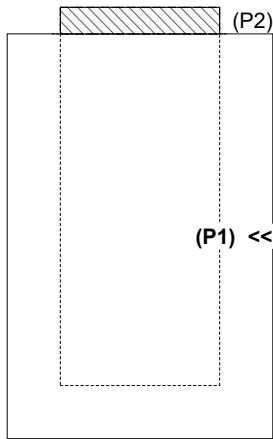
- Structure Notes:**
1. PER ASTM C-913 SPECIFICATIONS
  2. CONCRETE: 4,000 PSI AT 28 DAYS
  3. REINFORCEMENT: #5 BAR @ 12" C.C. E.W. (GRADE 60) - 2" MIN. REBAR CLEARANCE (TYP)
  4. NO STORM INVERT
  5. NO STEPS
  6. HOE 280T FRAME & GRATE SUPPLIED BY OTHERS

Rim: 955.37' Rim to Invert: 4.76' Slack: 0.12" Sump: 0" Step Position:

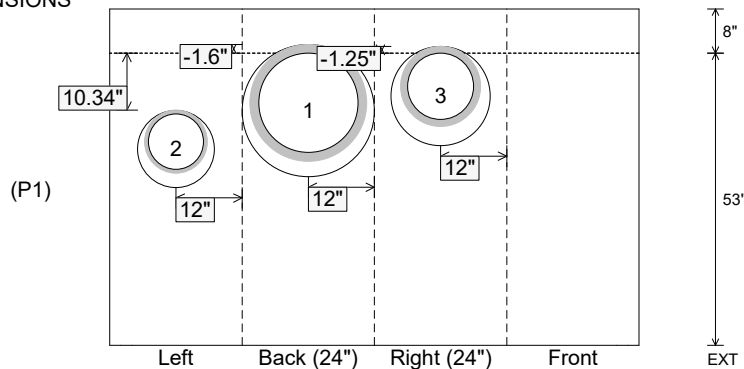
Position	Elev	Angle	Ext. (cw)	Pipe	Pipe OD	Connector	Hole	Horz Size	Up (↓)	Offset
Invert 1	950.61'	180°	20"	18" HDPE	21.2"	Hole 24	24"	24"	-1.6"	0"
Invert 2	951.53'	270°	20"	10" HDPE	11.4"	Hole 14	14"	14"	10.34"	0"
Invert 3	950.61'	90°	20"	12" HDPE	14.5"	Hole 18	18"	18"	-1.25"	0"
Invert 4										
Invert 5										
Invert 6										
Invert 7										
Invert 8										

RIGHT-SIDE UP VIEW (int. dimensions)

UPSIDE-DOWN VIEW (int. dimensions)



INSIDE WALL DIMENSIONS



Coating (Int): Coating (Ext):	Seam Up: Flat Seam Dn: n/a	Wall Thickness: 8" Floor Height: 8"	Height (Int): 53" Height (Ext): 61"	Weight (Net): 5126 lb Volume (Net): 1.31cu.yd
----------------------------------	-------------------------------	--	--	--