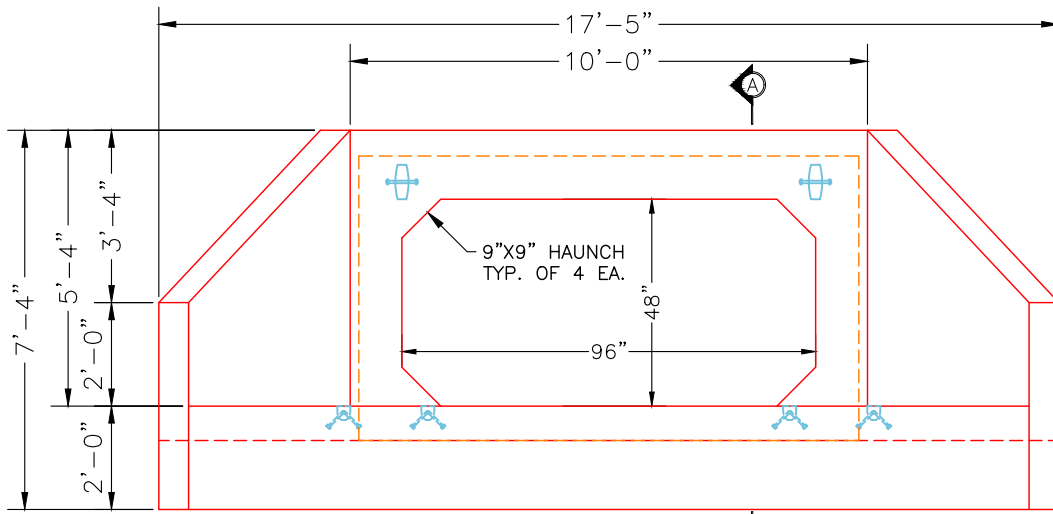


TOP VIEW

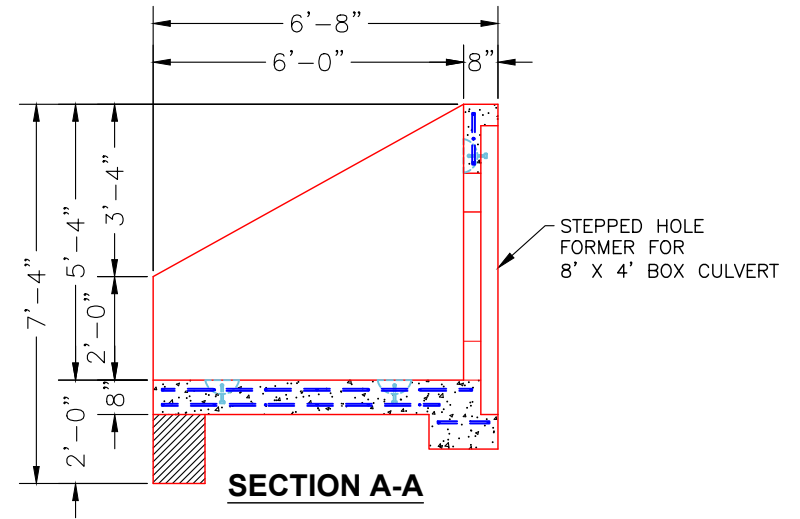
NOTES:

1. CONCRETE: KYTC APPROVED.
2. REINFORCING: #5 BAR @ 12" C/C E.W. (GRADE 60) (WITH 2" CONCRETE COVER MINIMUM)
3. REINFORCING BARS TO BE TACK WELDED OR TIED.
4. PIPE AND LIFTING ANCHOR POCKETS TO BE GROUTED WITH KYTC APPROVED NON-SHRINK GROUT.
5. DRAWING TO BE USED IN CONJUNCTION WITH KYTC STD. DRAWING RDH-110-02, RDH-210-03 AND THE STANDARD SPECIFICATIONS FOR ROAD AND BRIDGE CONSTRUCTION.
6. 3/4" CHAMFER ON ALL EXPOSED EDGES.
7. PREFORMED STEPPED HOLE SIZED AS PER O.D. OF PIPE + 3"-4".
8. WEIGHT: 20,580 LBS EACH. TWO(2) TOTAL REQUIRED. TWO(2) FOR BOX CULVERT

6 EA. CONAC 6CA18 LIFTING ANCHORS.



FRONT VIEW



SECTION A-A

REVISION INFORMATION

REV. Δ DATE: NO REVISIONS TO DATE



SUBMITTAL DRAWING: 8' X 4' KYTC RCBC HEADWALL

CUSTOMER: SCOTTY'S CONTRACTING

PROJECT: MORGANTOWN INDUSTRIAL PARK

STRUCTURE: BOX CULVERT HEADWALLS

QUOTE/SALES ORDER NO: 25-4685BC

PC: CELINA GOFF

DRAWN BY: J. COPPAGE - A

DATE: 01/14/26

SCALE: NTS

PG. 1 of 1