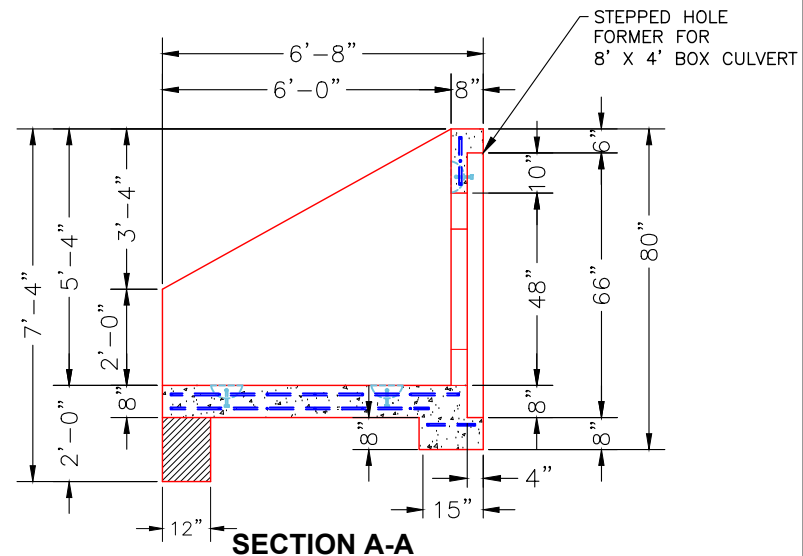
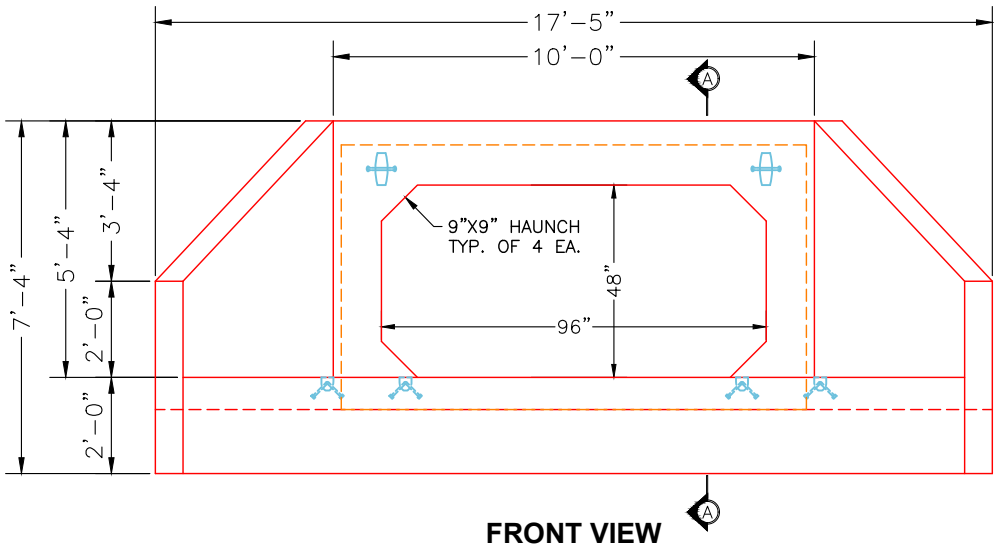



- NOTES:**
1. CONCRETE: KYTC APPROVED.
 2. REINFORCING: #5 BAR @ 12" C/C E.W. (GRADE 60) (WITH 2" CONCRETE COVER MINIMUM)
 3. REINFORCING BARS TO BE TACK WELDED OR TIED.
 4. PIPE AND LIFTING ANCHOR POCKETS TO BE GROUTED WITH KYTC APPROVED NON-SHRINK GROUT.
 5. DRAWING TO BE USED IN CONJUNCTION WITH KYTC STD. DRAWING RDH-110-02, RDH-210-03 AND THE STANDARD SPECIFICATIONS FOR ROAD AND BRIDGE CONSTRUCTION.
 6. 3/4" CHAMFER ON ALL EXPOSED EDGES.
 7. PREFORMED STEPPED HOLE SIZED AS PER O.D. OF PIPE + 3"-4".



PRODUCTION WORK ORDER		PRODUCT I.D.: BCHW-096x048	DESCRIPTION: BOX CULVERT HEADWALL - 96" X 48"	
	QUALITY CONTROL CHECKLIST	PRODUCT VIEW: RIGHT SIDE UP	CUSTOMER: SCOTTY'S CONTRACTING	
	<input type="checkbox"/> ALL DIMENSIONS CORRECT.	PLANT: BEAVER DAM, KY.	PROJECT: MORGANTOWN INDUSTRIAL PARK	
	<input type="checkbox"/> LIFTERS INSTALLED INSIDE.	WEIGHT: 20,580 LBS.	STRUCTURE ID.: 8x6 BCHW 2 (INLET)	
	<input type="checkbox"/> RECESS WITH HAUNCHES CORRECT.	TOP JOINT: N/A	SALES ORDER/QUOTE NO: 25-4685BC	
	<input type="checkbox"/> REINFORCING CORRECT.	BOTTOM JOINT: N/A	CHECK: B. SMITH	DRAWING: J. HORSLEY
	<input type="checkbox"/> SURFACE QUALITY ACCEPTABLE.	QC CHECK INITIALS:	DATE: 02/19/26	SCALE: NTS
<input type="checkbox"/> LIFTERS INSTALLED OUTSIDE.				
<input type="checkbox"/> PRODUCT SQUARE.				