

Job Name: 25-4680 Sample Manhole
Job Location: Newburgh, IN
Contractor: Joe Beard And Sons

PC: T. Lewis
 TECH: S. Felletter
 Plant: Beaver Dam



Structure ID: **54680 (2)**
 Spec: Sanitary
 Type: SAN.MH w/ConBlock-CDA Red
 Size: 48"

Rim: 6'
 Invert: 0'
 Rim to Invert: 6'

Sump: 3"
 Floor (Top): -0.25'
 Floor Height: 6"

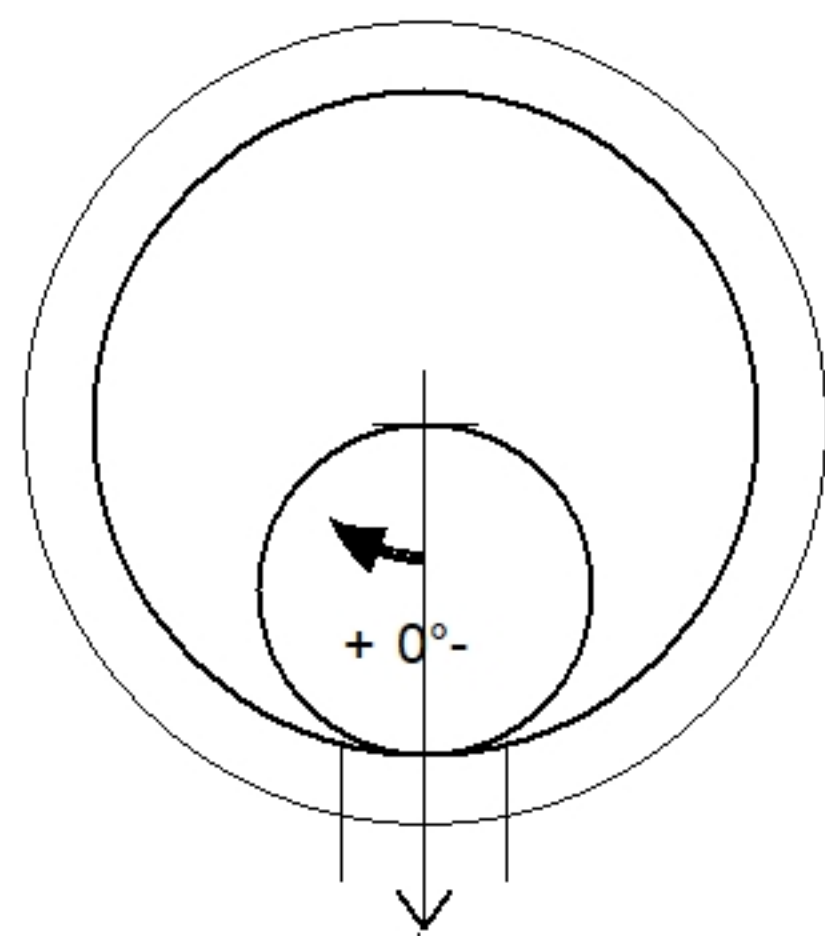
Floor (Bot): -0.75'
 Overall Height: 6.75'
 Slack: 0"

Structure Notes:

- JR HOE MC-285 PROVIDED BY ICAST.
- PER ASTM C478 SPECIFICATIONS.
- CONCRETE = 4,000 PSI AT 28 DAYS.
- ADMIXTURE = CONBLOCK CDA RED.
- REINFORCING PER ASTM A615 (GRADE 60).
 - CONE (As .12)
 - RISER/WALLS (As .12)
 - FLOOR (As .31) #5 BARS AT 12" C.C.E.W.
- **NO STEPS****

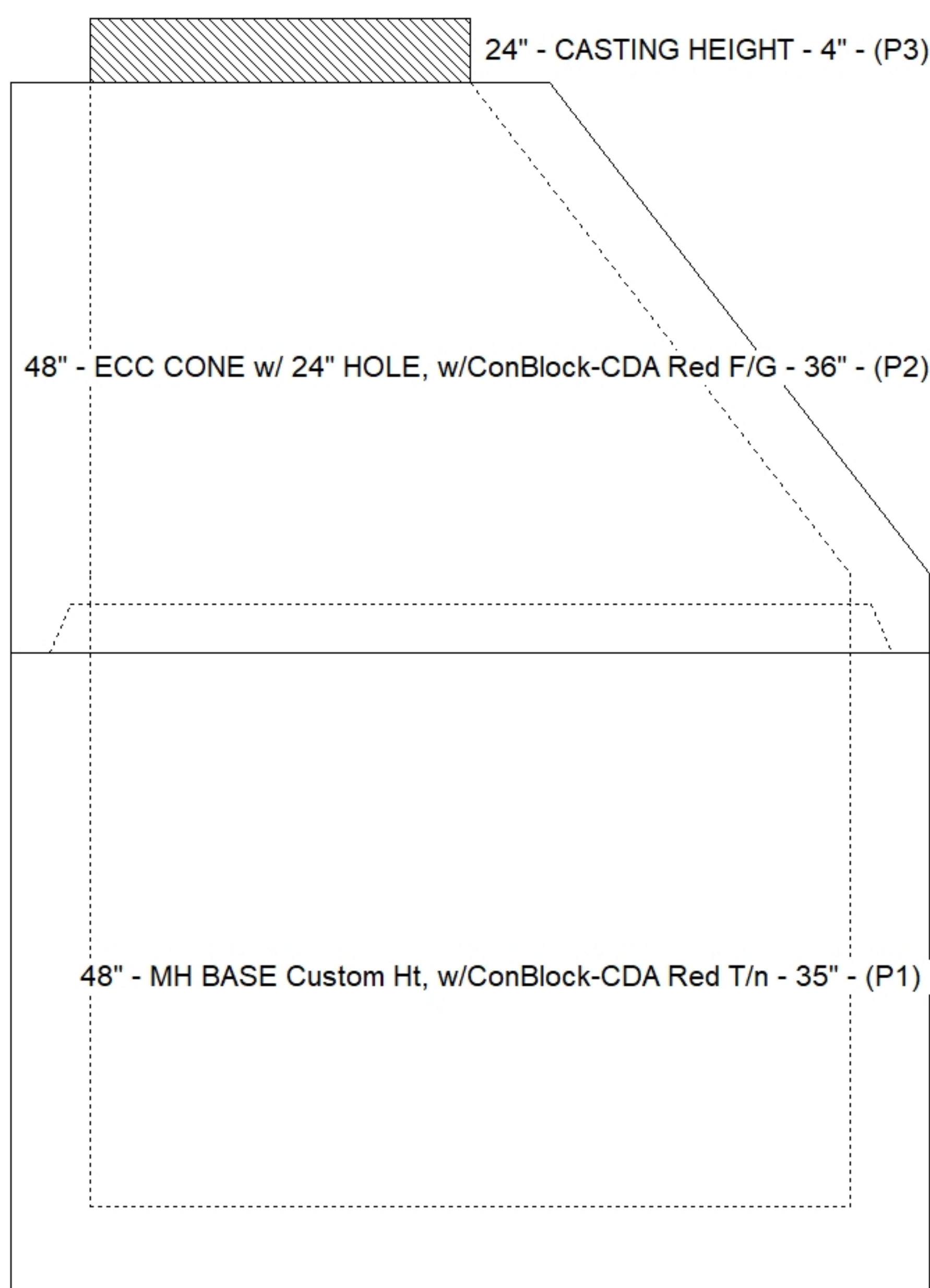
STRUCTURE SUMMARY:

P3) 24" - CASTING HEIGHT - 4"	0 lb
P2) 48" - ECC CONE w/ 24" HOLE, w/ConBlock-CDA Red F/G - 36"	2251 lb
P1) 48" - MH BASE Custom Ht, w/ConBlock-CDA Red T/n - 35"	3727 lb
1) JOINT WRAP - 0.065"x6"x50' CONSEAL CS212	0 lb
1) JOINT WRAP PRIMER - CONSEAL CS-75 (1 gal.)	0 lb
1) 48" - MH INVERT CHANNEL w/ConBlock-CDA Red - FULL HEIGHT	1440 lb
1) CASTING - HOE MC-285 F/C Sanitary	284 lb
1) 48" - Conseal CS-102 1.00" (Double)	0 lb
1) PSX - 12-06 NYLO	8 lb
Structure Total:	7711 lb

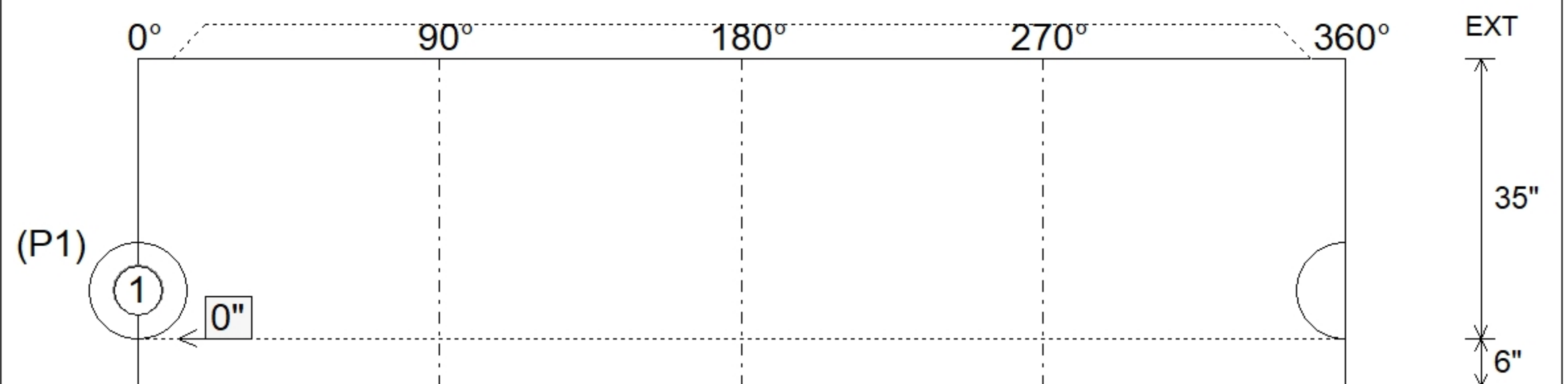


Invert: 1
 Degree: 0°

Position	Elev	Angle	Pipe	Pipe OD	Hole	Connector	Up ()	Ref
Rim	6'							
Reducer								
Invert 1	0'	0°	6" PVC SDR35	6.25"	12"	PSX 12-06 NYLO	0"	P1
Invert 2								
Invert 3								
Invert 4								
Invert 5								
Invert 6								
Invert 7								
Invert 8								



Default - Interior Dimensions



Submittal Drawing
 1/8/2026 3:05:36 PM

SUBMITTAL
 APPROVED BY: