

**Job Name: 25-4677 - 870550 Murray State University**  
**Job Location: Murray, KY**  
**Contractor: Contech Engineering Solutions**

PC: T. Sekula  
 TECH: J. Coppage  
 Plant: Beaver Dam



Structure ID: 10-CS-4

Spec: Storm-Pipe Centered  
 Type: STM.MH  
 Size: 48"

Rim: 538.3'  
 Invert: 534.6'  
 Rim to Invert: 3.7'

Sump: 51"  
 Floor (Top): 530.35'  
 Floor Height: 6"

Floor (Bot): 529.85'  
 Overall Height: 8.333'  
 Slack: 1.4"

Structure Notes:

(4" TALL CASTING PROVIDED BY OTHERS)

LIFTING ANCHORS TO BE INSTALLED ON THE OUTSIDE OF THE STRUCTURE

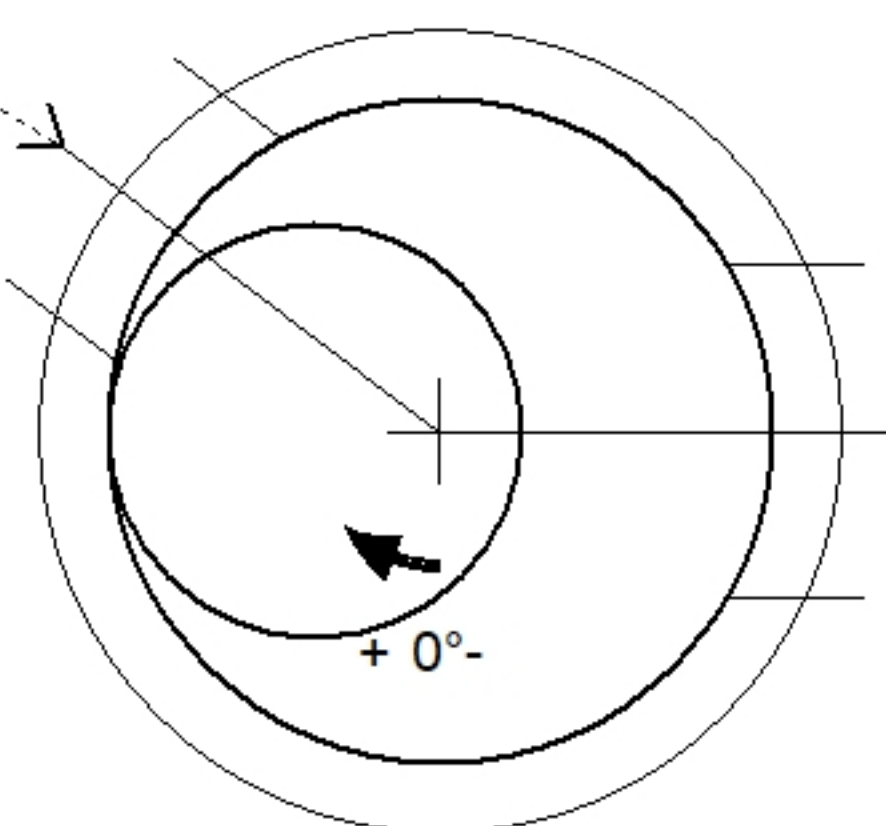
ICAST TO INSTALL THE INTERNALS

CONTECH'S LOGO AS WELL AS THE INTEL AND OUTLET MUST BE STENCILED ONTO THE STRUCTURE

STRUCTURE SUMMARY:

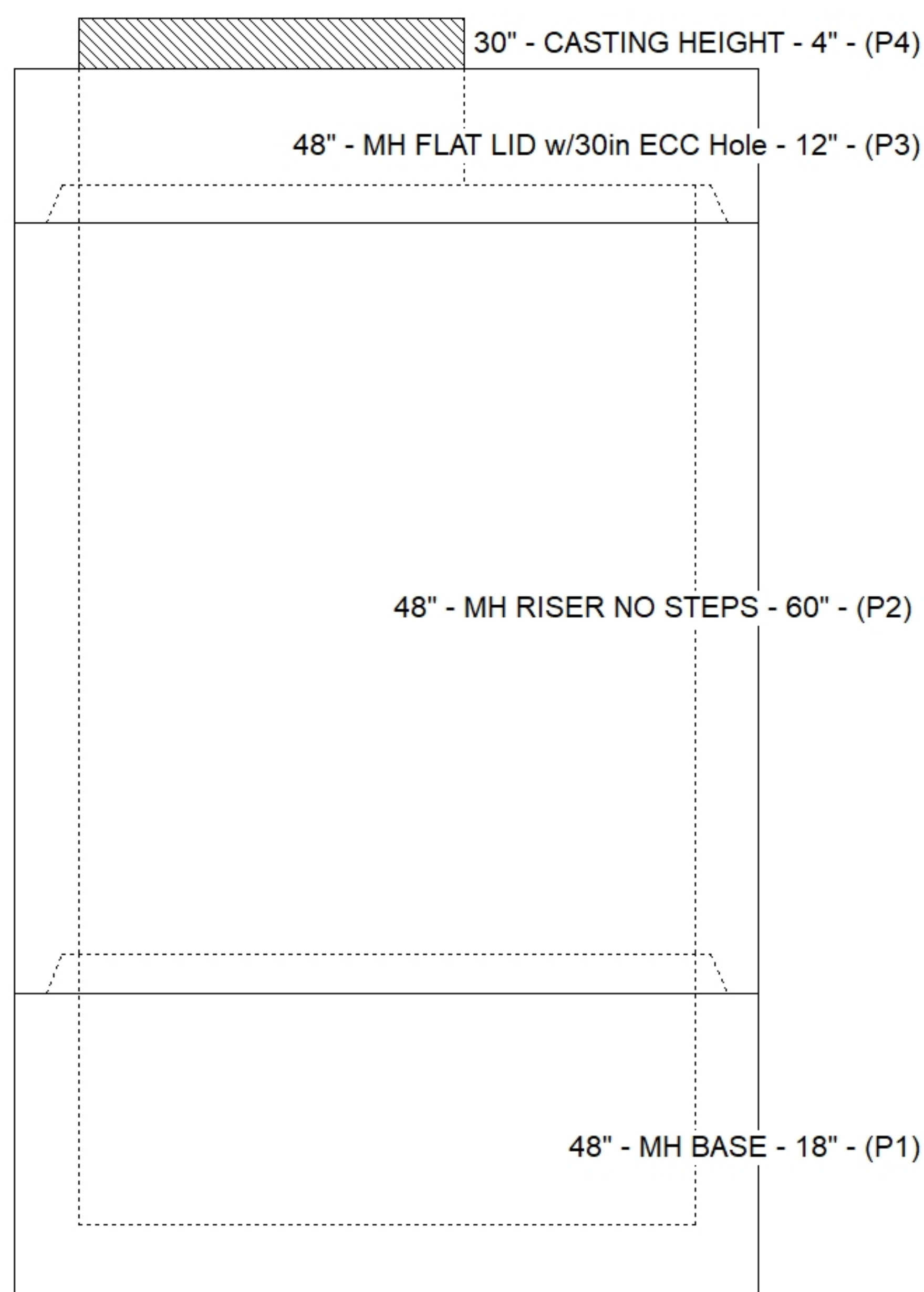
P4) 30" - CASTING HEIGHT - 4"	0 lb
P3) 48" - MH FLAT LID w/30in ECC Hole - 12"	1413 lb
P2) 48" - MH RISER NO STEPS - 60"	3859 lb
P1) 48" - MH BASE - 18"	2588 lb
1) ASSEMBLY REQUIRED	0 lb
1) CVSTENCILING	0 lb
2) 48" - Conseal CS-102 1.00"	0 lb
1) Hole - 24	0 lb
1) Hole - 20	0 lb
<b>Structure Total:</b>	<b>7860 lb</b>

Invert: 2  
 Degree: 127°

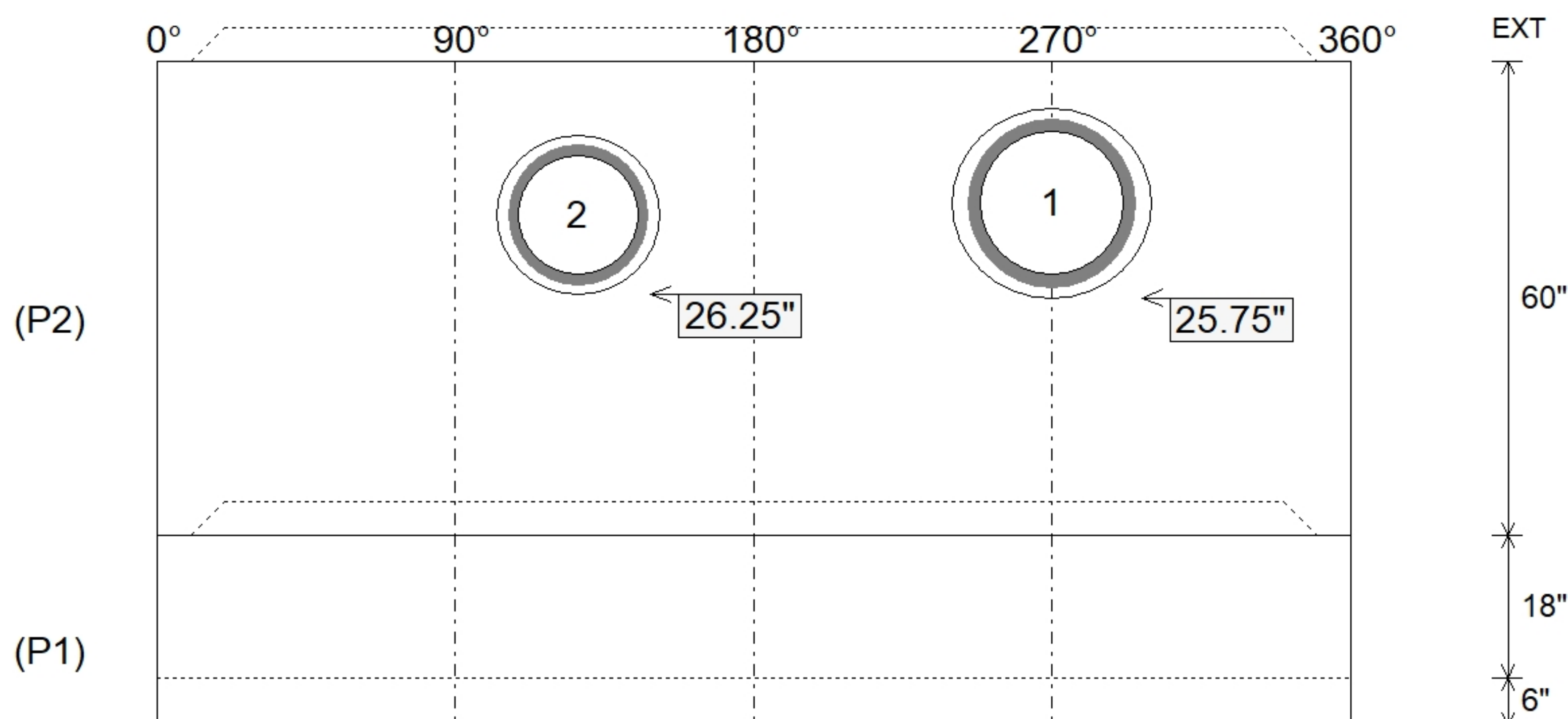


Invert: 1  
 Degree: 270°

Position	Elev	Angle	Pipe	Pipe OD	Hole	Connector	Up (L)	Ref
Rim	538.3'							
Reducer								
Invert 1	534.6'	270°	18" HDPE	21.2"	24"	Hole 24	25.75"	P2
Invert 2	534.6'	127°	15" HDPE	17.6"	20"	Hole 20	26.25"	P2
Invert 3								
Invert 4								
Invert 5								
Invert 6								
Invert 7								
Invert 8								



**Default - Interior Dimensions**



Submittal Drawing  
 12/12/2025 7:47:29 AM

SUBMITTAL  
 APPROVED BY: