

Job Name: 25-4674 TMMI Maverick SW3 & 4
Job Location: Georgetown, KY
Contractor: Aristeo Contracting

PC: E. Bradley
 TECH: S. Felletter
 Plant: Beaver Dam



Structure ID: YD305 (3)

Spec: Storm
 Type: STM.MH
 Size: 72"

Rim: 901.68'
 Invert: 894.75'
 Rim to Invert: 6.93'

Sump: 24"
 Floor (Top): 892.75'
 Floor Height: 8"

Floor (Bot): 892.083'
 Overall Height: 9.5'
 Slack: 1.16"

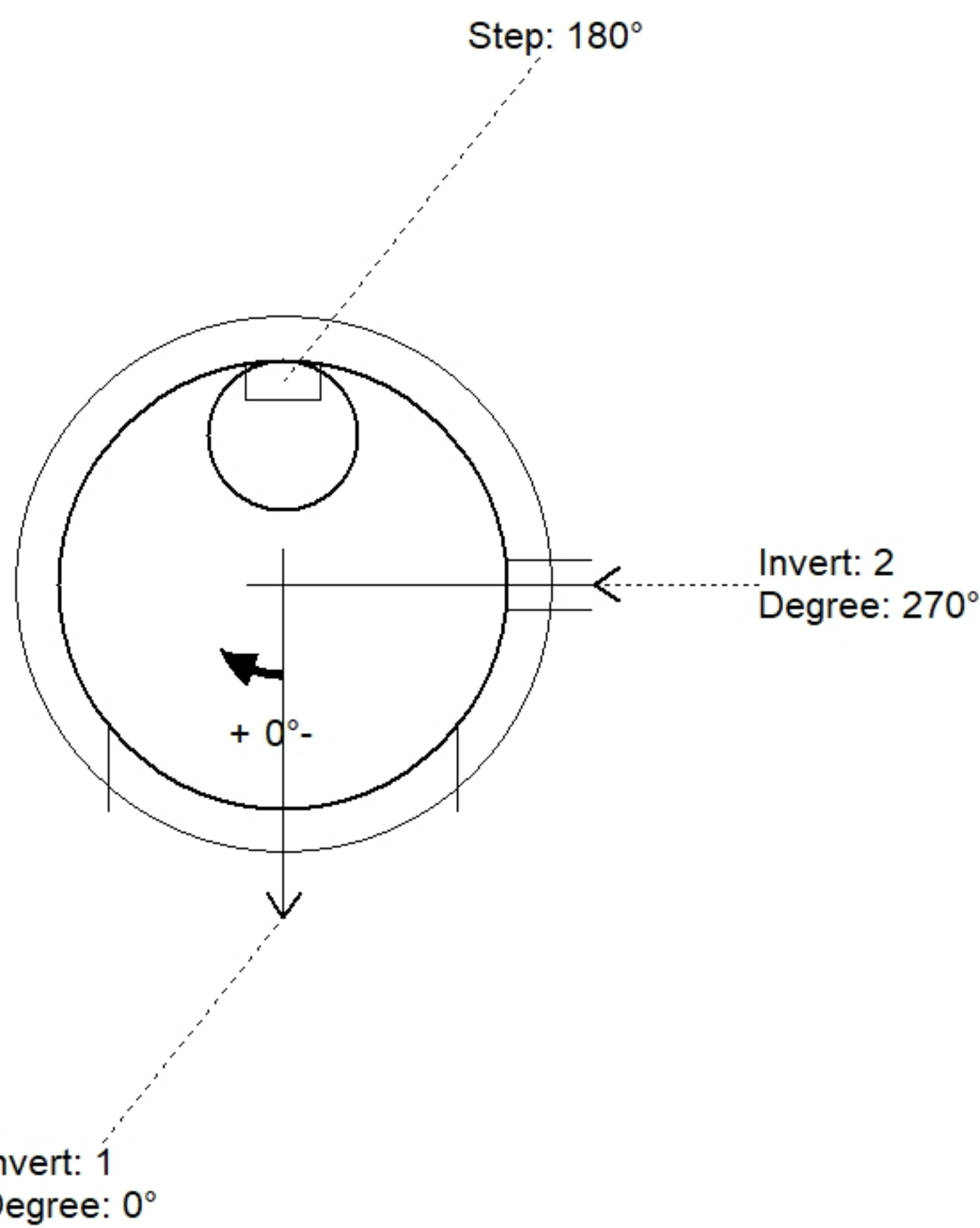
Structure Notes:

1. PER ASTM C913 SPECIFICATIONS.
2. CONCRETE = 5,000 PSI AT 28 DAYS.
3. CASTING HOE MCB-375-BH BY ICAST.

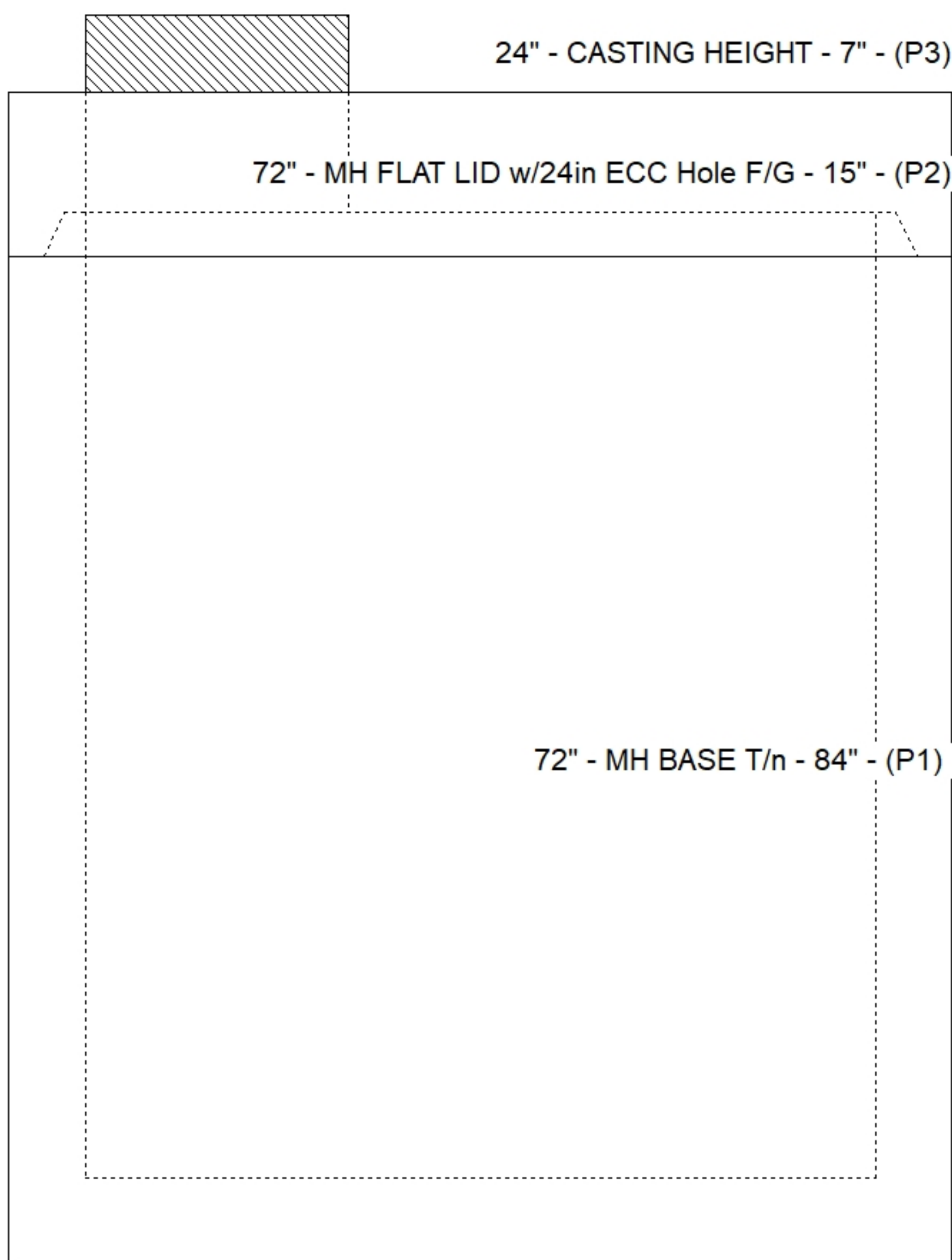
REINFORCING PER ASTM A615 (GRADE 60).
 - TOP SLAB (As .62) #5 BARS AT 6" C.C.E.W.
 - WALLS (As .47) #5 BARS AT 8" C.C.E.W.
 - FLOOR (As .47) #5 BARS AT 8" C.C.E.W.

STRUCTURE SUMMARY:

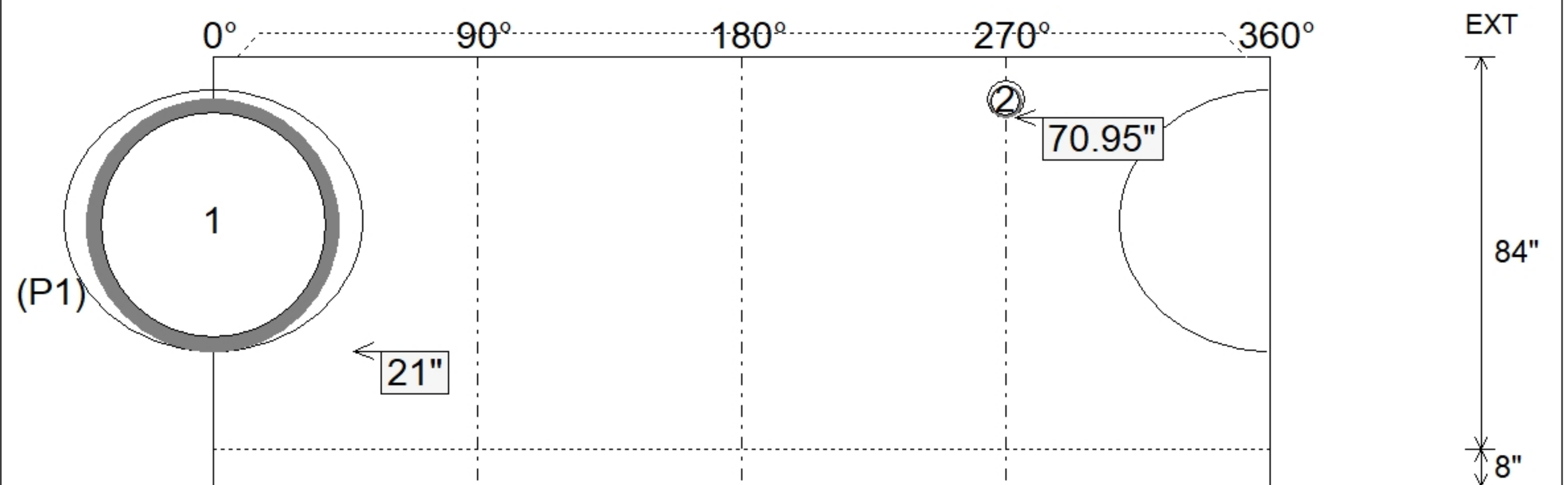
P3) 24" - CASTING HEIGHT - 7"	0 lb
P2) 72" - MH FLAT LID w/24in ECC Hole F/G - 15"	5098 lb
P1) 72" - MH BASE T/n - 84"	14499 lb
1) CASTING - HOE MCB-375-BH Beehive Grt	250 lb
1) 72" - Hamilton Kent MH Gasket	0 lb
1) Hole - 56	0 lb
1) Hole - 8	0 lb
5) MH Step ML-10-TDS-NCR - 10"	0 lb
Structure Total:	19847 lb



Position	Elev	Angle	Pipe	Pipe OD	Hole	Connector	Up ()	Ref
Rim	901.68'							
Reducer								
Invert 1	894.75'	0°	48" ADS N-12	54"	56"	Hole 56	21"	P1
Invert 2	898.7'	270°	6" HDPE (perf pipe)	6.9"	8"	Hole 8	70.95"	P1
Invert 3								
Invert 4								
Invert 5								
Invert 6								
Invert 7								
Invert 8								



Default - Interior Dimensions



Submittal Drawing
 3/4/2026 8:19:03 AM

SUBMITTAL
 APPROVED BY: