

Structure ID: YD305 (3)

P1 MH072BA84

MH BASE T/n

P3) 24" - CASTING HEIGHT - 7" P2) 72" - MH FLAT LID w/24in ECC Hole F/G - 15" P1) 72" - MH BASE T/n - 84" 1) CASTING - HOE MCB-375-BH Beehive Grt 1) 72" - Hamilton Kent MH Gasket 1) Hole - 56 1) Hole - 8 5) MH Step ML-10-TDS-NCR - 10"	0 lb 5098 lb 14499 lb 250 lb 0 lb 0 lb 0 lb 0 lb 0 lb _____ Structure Total: 19847 lb
---	---

Structure Notes:

- PER ASTM C913 SPECIFICATIONS.
- CONCRETE = 5,000 PSI AT 28 DAYS.
- CASTING HOE MCB-375-BH BY ICAST.

REINFORCING PER ASTM A615 (GRADE 60).

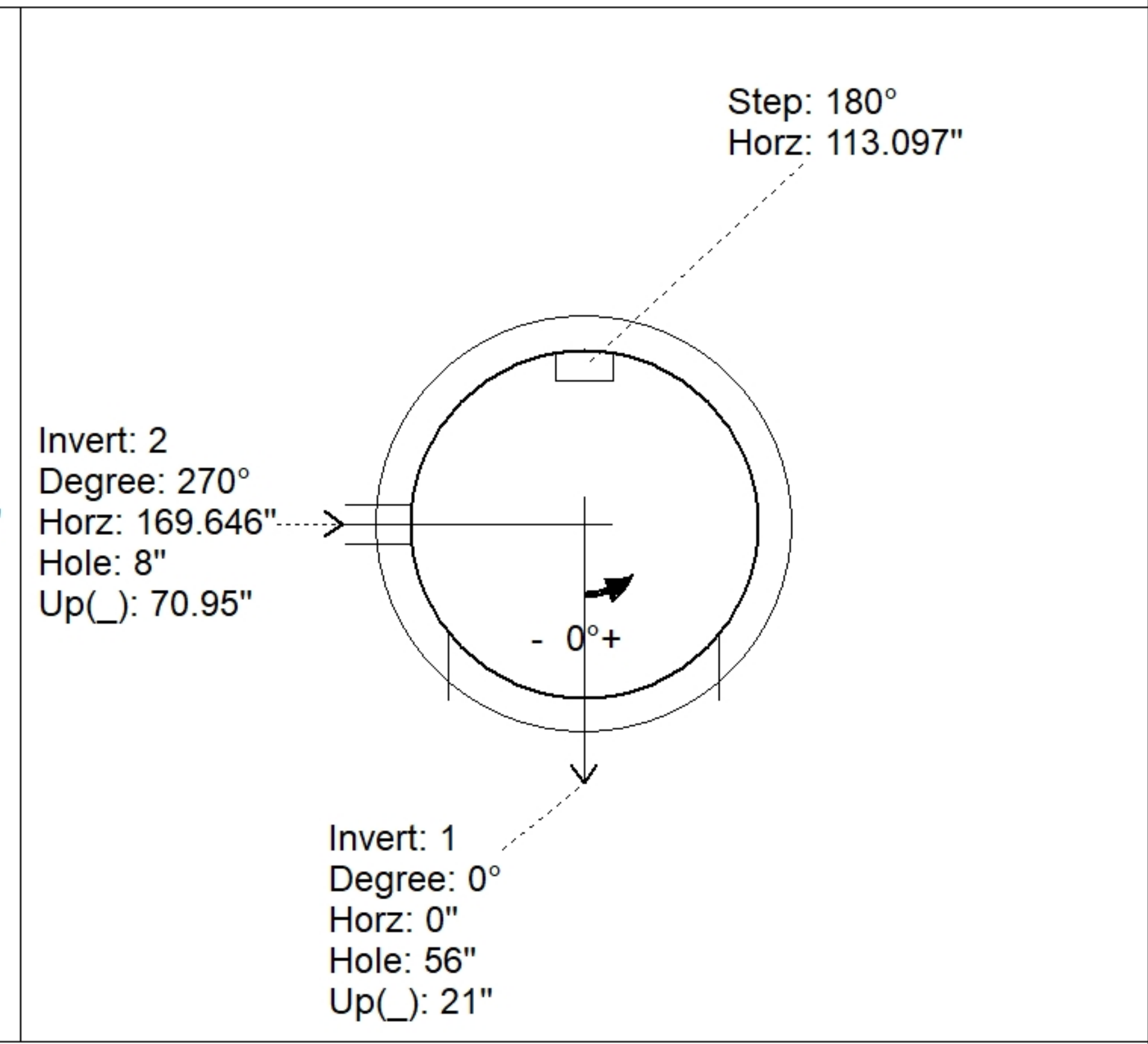
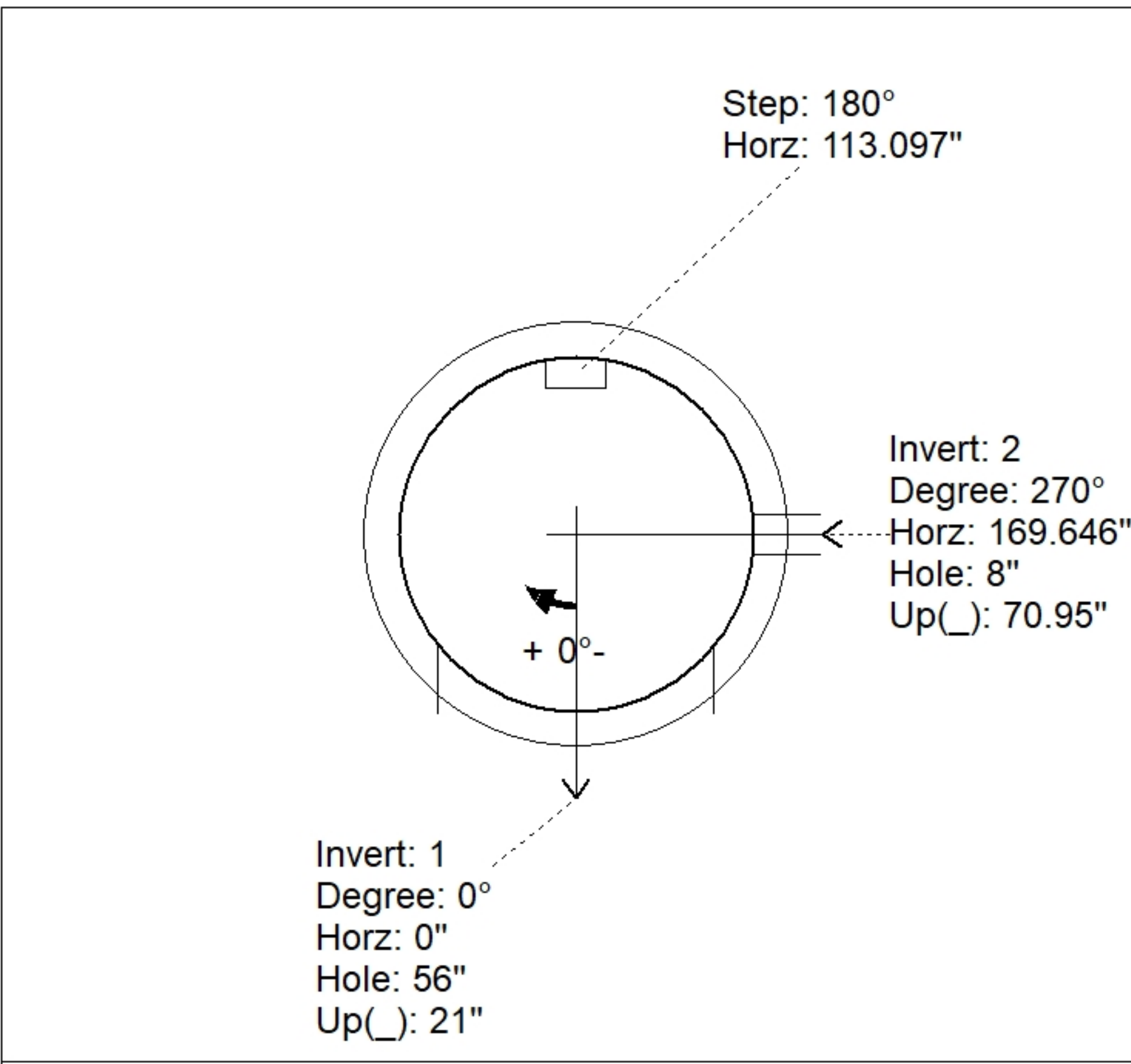
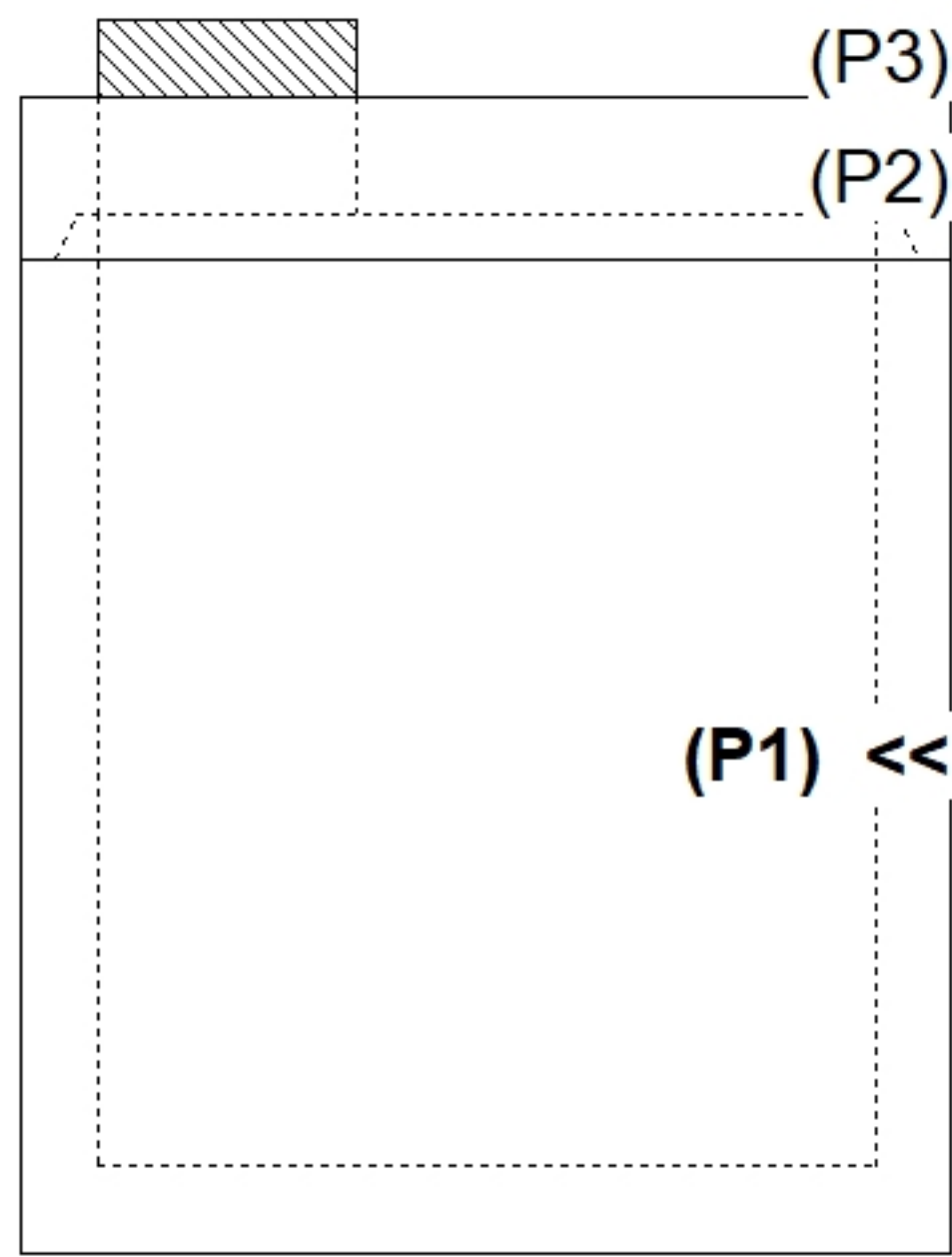
- TOP SLAB (As .62) #5 BARS AT 6" C.C.E.W.
- WALLS (As .47) #5 BARS AT 8" C.C.E.W.
- FLOOR (As .47) #5 BARS AT 8" C.C.E.W.

Rim: 901.68' Rim to Invert: 6.93' Slack: 1.16" Sump: 24" Step Position: 180

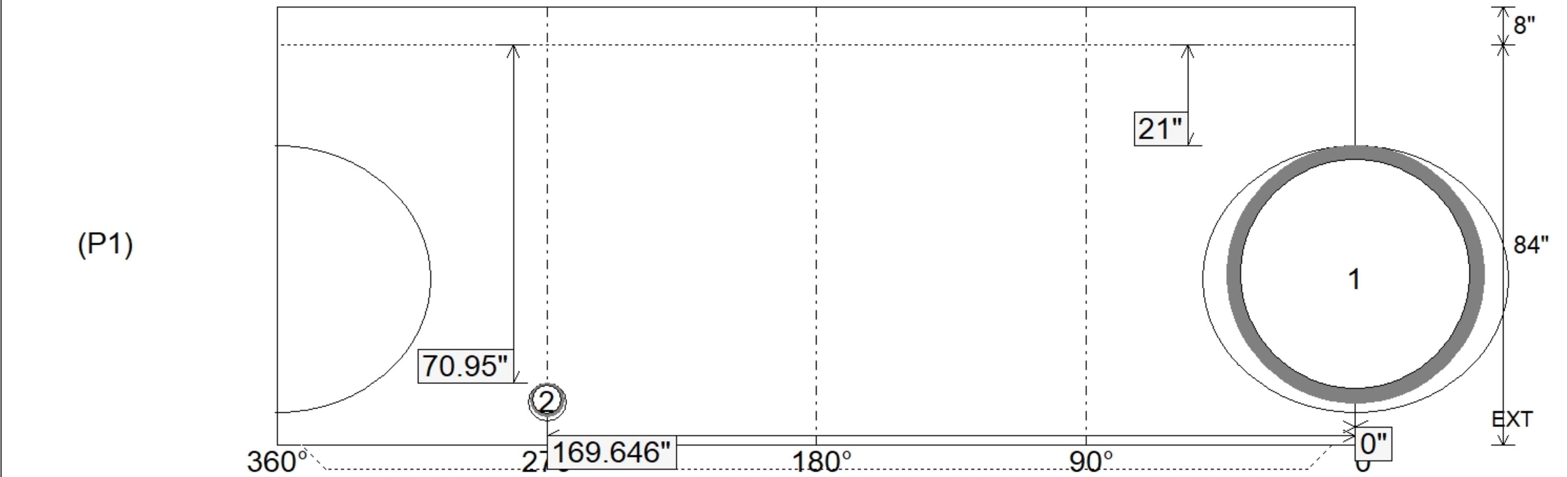
Position	Elev	Angle	Ext. (cw)	Pipe	Pipe OD	Connector	Hole	Horz Size	Up ()	Offset
Invert 1	894.75'	0°	0"	48" ADS N-12	54"	Hole 56	56"	64.161"	21"	0"
Invert 2	898.7'	270°	202.633"	6" HDPE (perf pipe)	6.9"	Hole 8	8"	8.017"	70.95"	0"
Invert 3										
Invert 4										
Invert 5										
Invert 6										
Invert 7										
Invert 8										

RIGHT-SIDE UP VIEW (int. dimensions)

UPSIDE-DOWN VIEW (int. dimensions)



INSIDE WALL DIMENSIONS



Coating (Int): Coating (Ext):	Seam Up: Tongue Seam Dn: n/a	Wall Thickness: 7" Floor Height: 8"	Height (Int): 84" Height (Ext): 92"	Weight (Net): 14499 lb Volume (Net): 3.7cu.yd
----------------------------------	---------------------------------	--	--	--