

Job Name: 25-4674 TMMI Maverick SW3 & 4
Job Location: Georgetown, KY
Contractor: Aristeo Contracting

PC: E. Bradley
 TECH: S. Felletter
 Plant: Beaver Dam



Structure ID: YD300 (2)
 Spec: Storm
 Type: STM.MH
 Size: 96"

Rim: 901.5'
 Invert: 878.98'
 Rim to Invert: 22.52'

Sump: 24"
 Floor (Top): 876.98'
 Floor Height: 8"

Floor (Bot): 876.313'
 Overall Height: 25.167'
 Slack: 0.24"

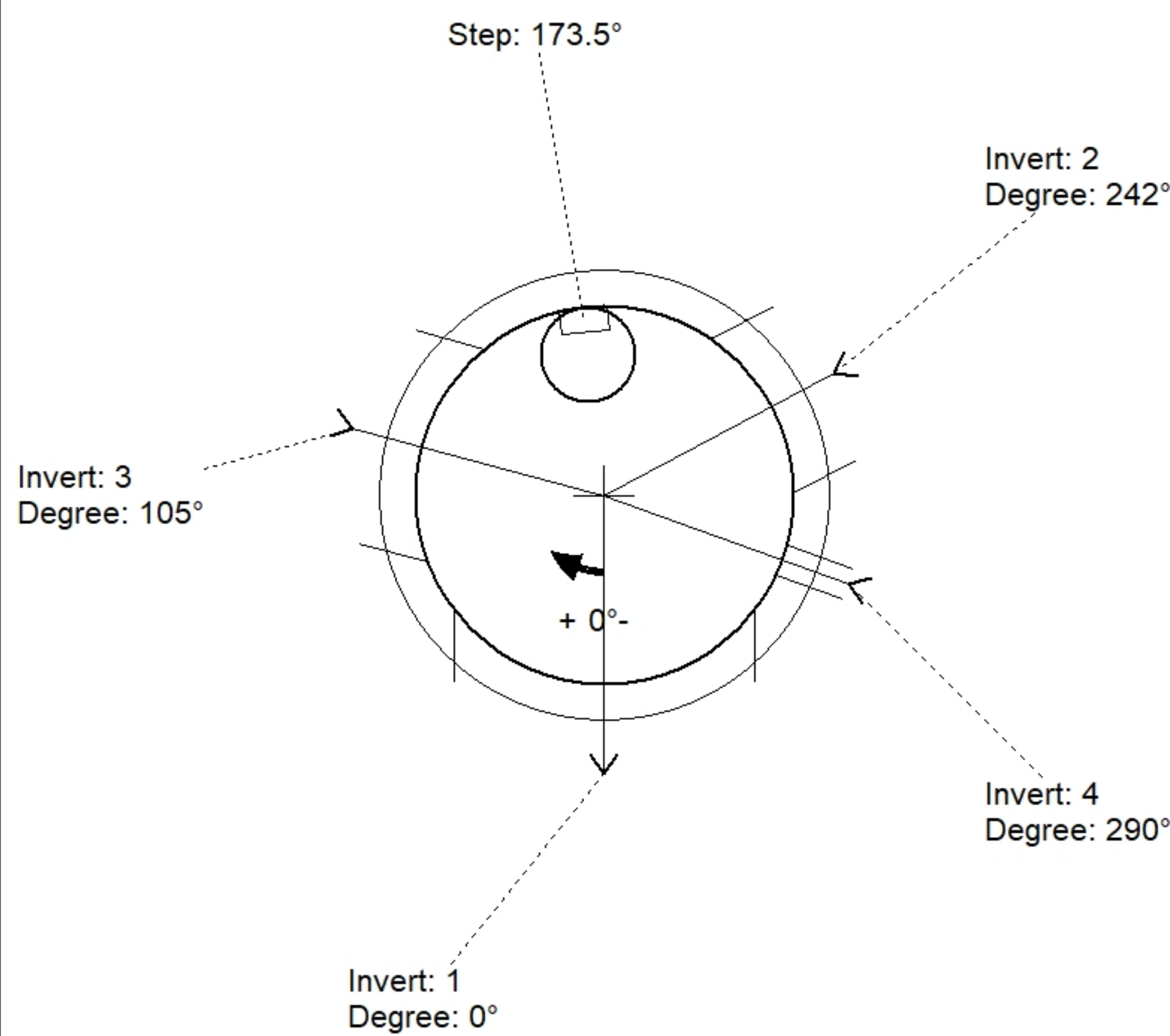
Structure Notes:

1. PER ASTM C478 SPECIFICATIONS.
2. CONCRETE = 4,000 PSI AT 28 DAYS.
3. CASTING HOE MCB-375-BH BY ICAST.

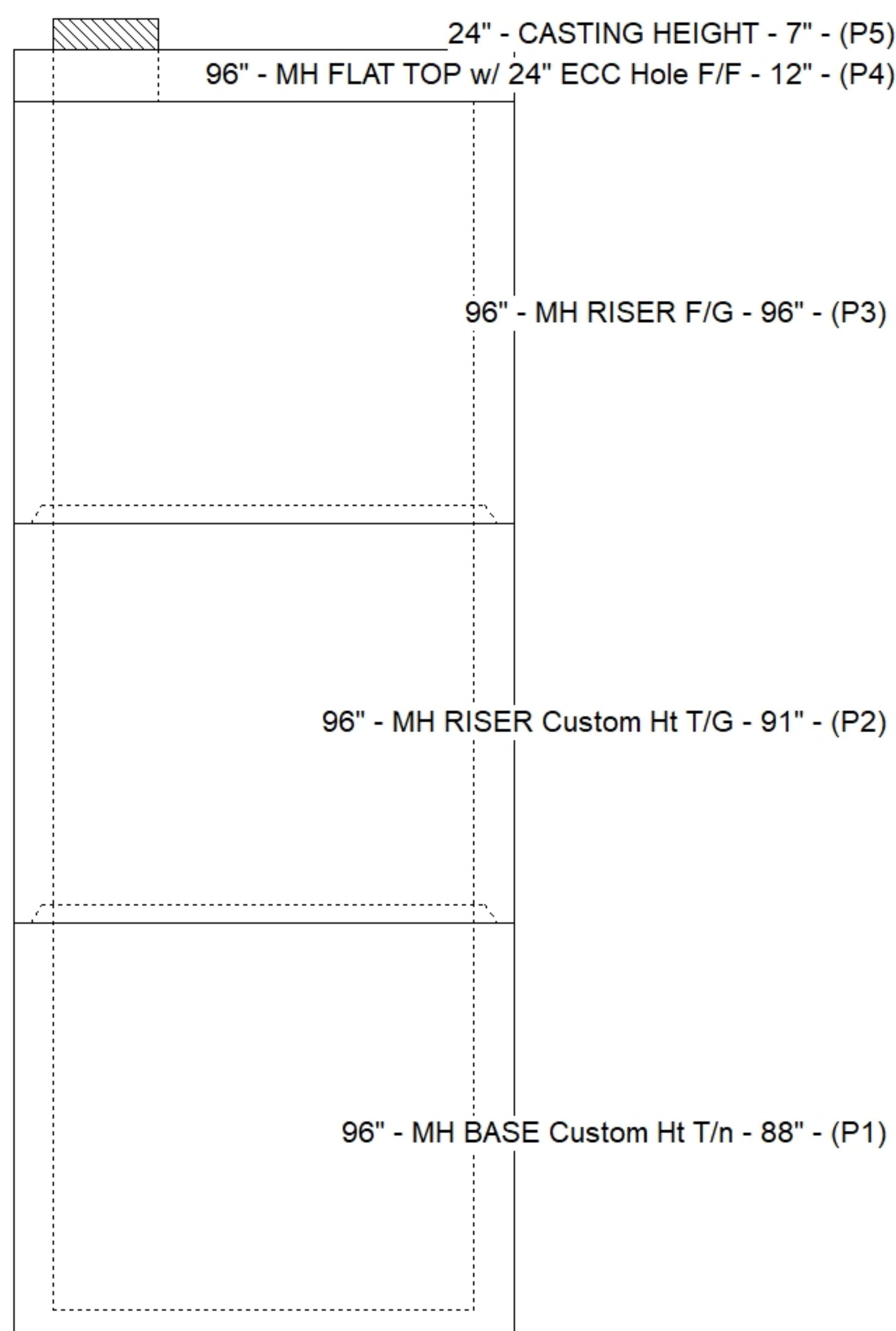
REINFORCING PER ASTM A615 (GRADE 60).
 - TOP SLAB (As .62) #5 BARS AT 6" C.C.E.W.
 - RISER/WALLS (As .24)
 - FLOOR (As .47) #5 BARS AT 8" C.C.E.W.

STRUCTURE SUMMARY:

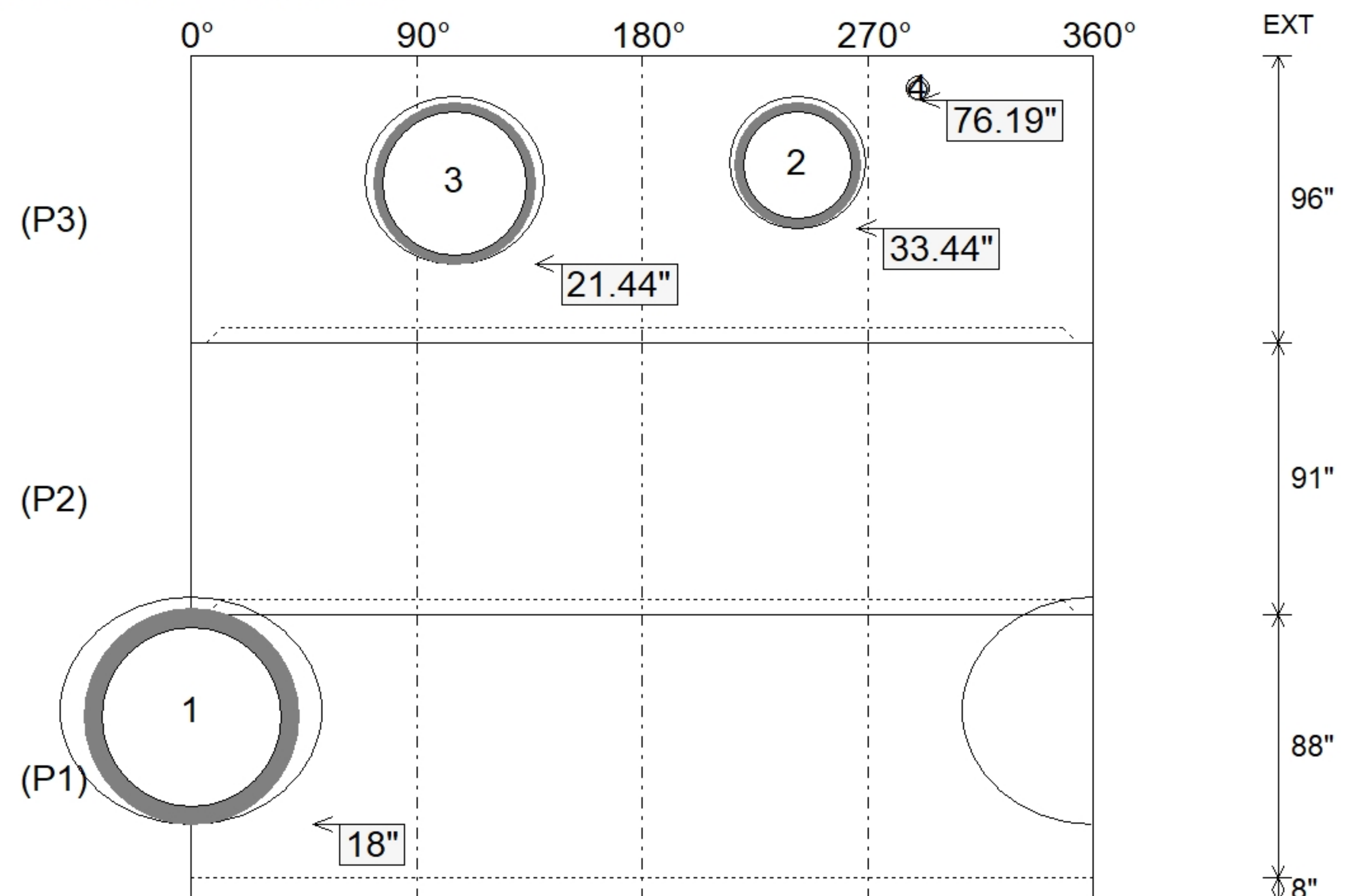
P5) 24" - CASTING HEIGHT - 7"	0 lb
P4) 96" - MH FLAT TOP w/ 24" ECC Hole F/F - 12"	9821 lb
P3) 96" - MH RISER F/G - 96"	20726 lb
P2) 96" - MH RISER Custom Ht T/G - 91"	22528 lb
P1) 96" - MH BASE Custom Ht T/n - 88"	25064 lb
1) CASTING - HOE MCB-375-BH Beehive Grt	250 lb
3) 96" - Hamilton Kent MH Gasket	0 lb
1) Hole - 76	0 lb
1) Hole - 44	0 lb
1) Hole - 56	0 lb
1) Hole - 8	0 lb
21) MH Step ML-10-TDS-NCR - 10"	0 lb
Structure Total:	78390 lb



Position	Elev	Angle	Pipe	Pipe OD	Hole	Connector	Up ()	Ref
Rim	901.5'							
Reducer								
Invert 1	878.98'	0°	60" RCP B WALL	72"	76"	Hole 76	18"	P1
Invert 2	895.35'	242°	36" ADS N-12	42"	44"	Hole 44	33.44"	P3
Invert 3	894.35'	105°	48" ADS N-12	54"	56"	Hole 56	21.44"	P3
Invert 4	898.7'	290°	6" HDPE (perf pipe)	6.9"	8"	Hole 8	76.19"	P3
Invert 5								
Invert 6								
Invert 7								
Invert 8								



Default - Interior Dimensions



Submittal Drawing
 3/4/2026 8:19:02 AM

SUBMITTAL
 APPROVED BY: