

Job Name: 25-4674 TMMI Maverick SW3 & 4
Job Location: Georgetown, KY
Contractor: Aristeo Contracting

PC: E. Bradley
 TECH: S. Felletter
 Plant: Beaver Dam



Structure ID: **HW500 (9)**
 Spec: HEADWALLS
 Type: HW SLOPED & FLARED
 Size: 18"

Rim: 0'
 Invert: 0'
 Rim to Invert: 0'

Sump: 18"
 Floor (Top): -1.5'
 Floor Height: 0"

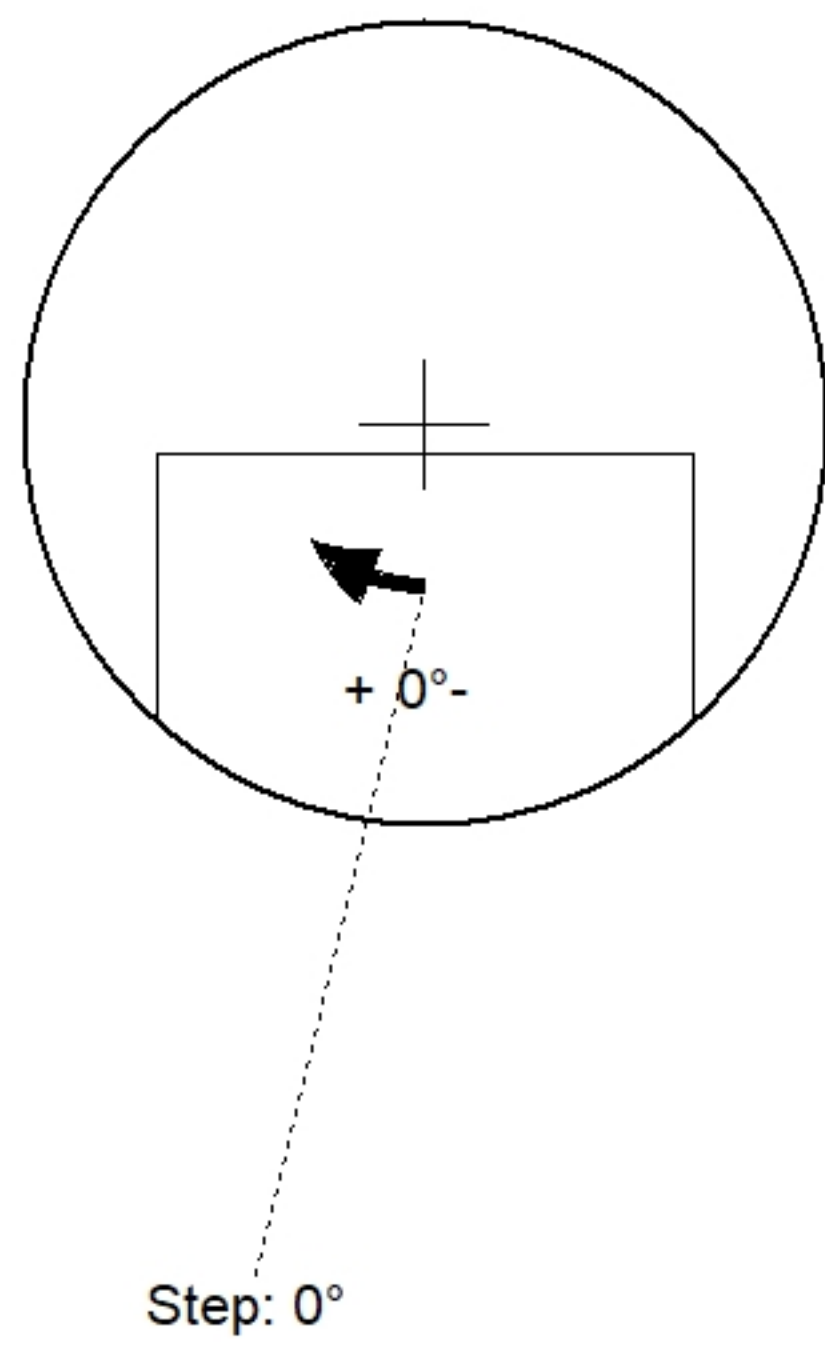
Floor (Bot): -1.5'
 Overall Height: 1.5'
 Slack: 0"

Structure Notes:

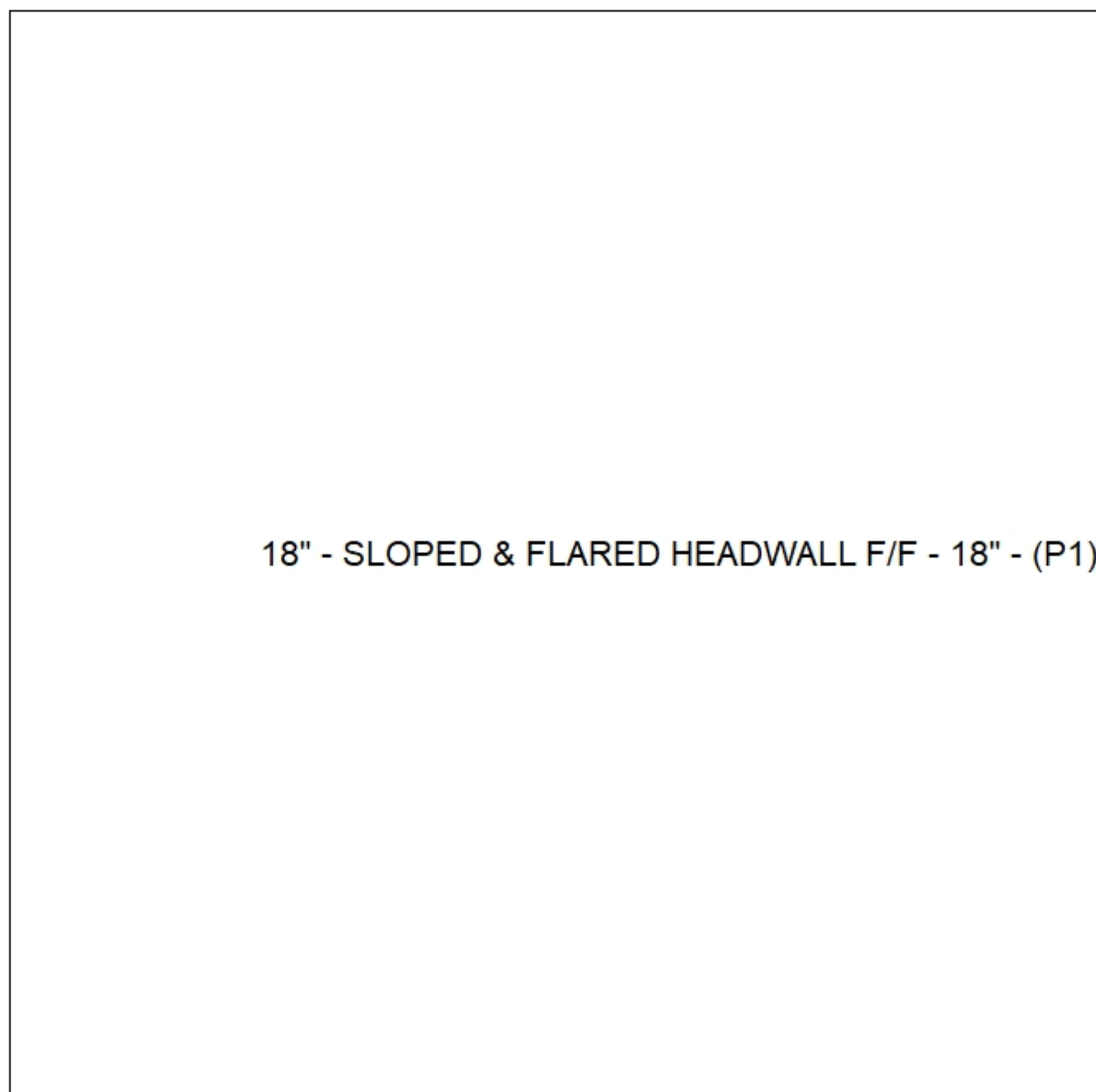
STRUCTURE SUMMARY:

P1) 18" - SLOPED & FLARED HEADWALL F/F - 18"

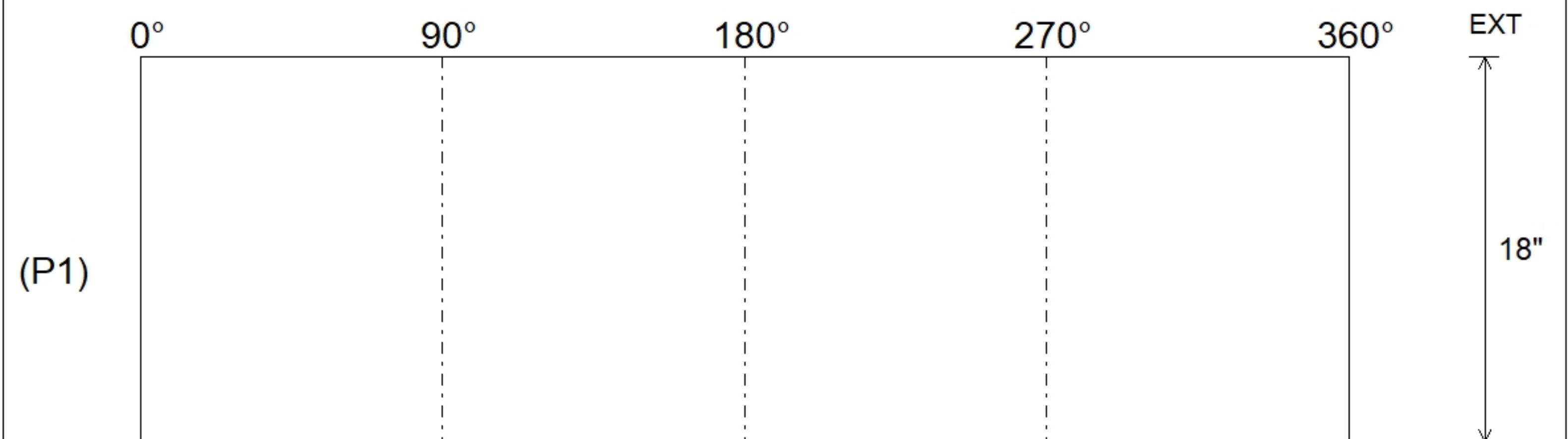
Structure Total: 3766 lb



Position	Elev	Angle	Pipe	Pipe OD	Hole	Connector	Up ()	Ref
Rim	0'							
Reducer								
Invert 1								
Invert 2								
Invert 3								
Invert 4								
Invert 5								
Invert 6								
Invert 7								
Invert 8								



Default - Interior Dimensions



Submittal Drawing
 3/4/2026 8:19:08 AM

SUBMITTAL
 APPROVED BY: