

Job Name: 25-4674 TMMI Maverick SW3 & 4
Job Location: Georgetown, KY
Contractor: Aristeo Contracting

PC: E. Bradley
 TECH: S. Felletter
 Plant: Beaver Dam



Structure ID: **CB501 (8)**
 Spec: Storm
 Type: STM.MH
 Size: 48"

Rim: 887.77'
 Invert: 883.5'
 Rim to Invert: 4.27'

Sump: 24"
 Floor (Top): 881.5'
 Floor Height: 6"

Floor (Bot): 881'
 Overall Height: 6.667'
 Slack: 1.24"

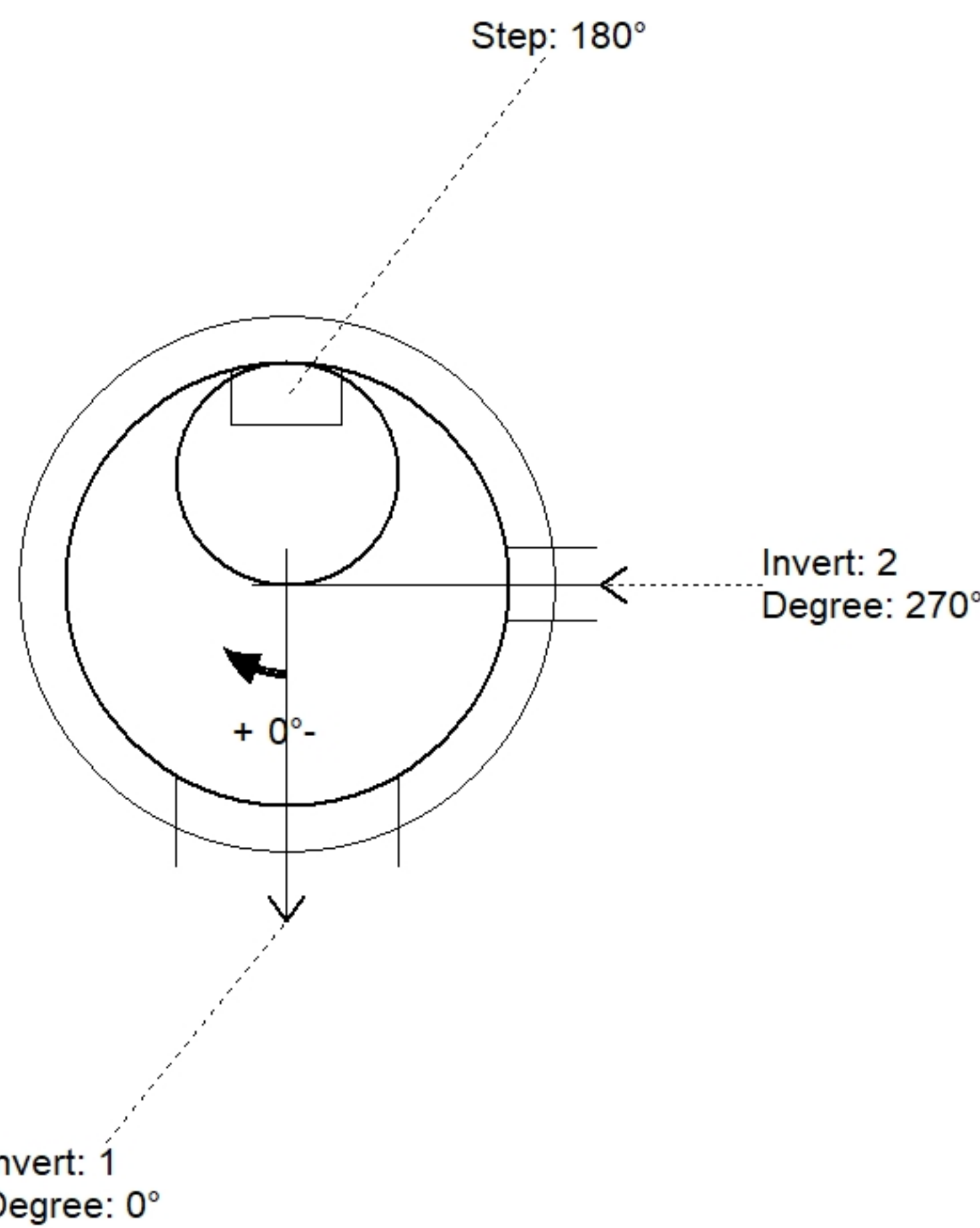
Structure Notes:

1. PER ASTM C478 SPECIFICATIONS.
2. CONCRETE = 4,000 PSI AT 28 DAYS.
3. CASTING HOE MCB-375-B BY ICAST.

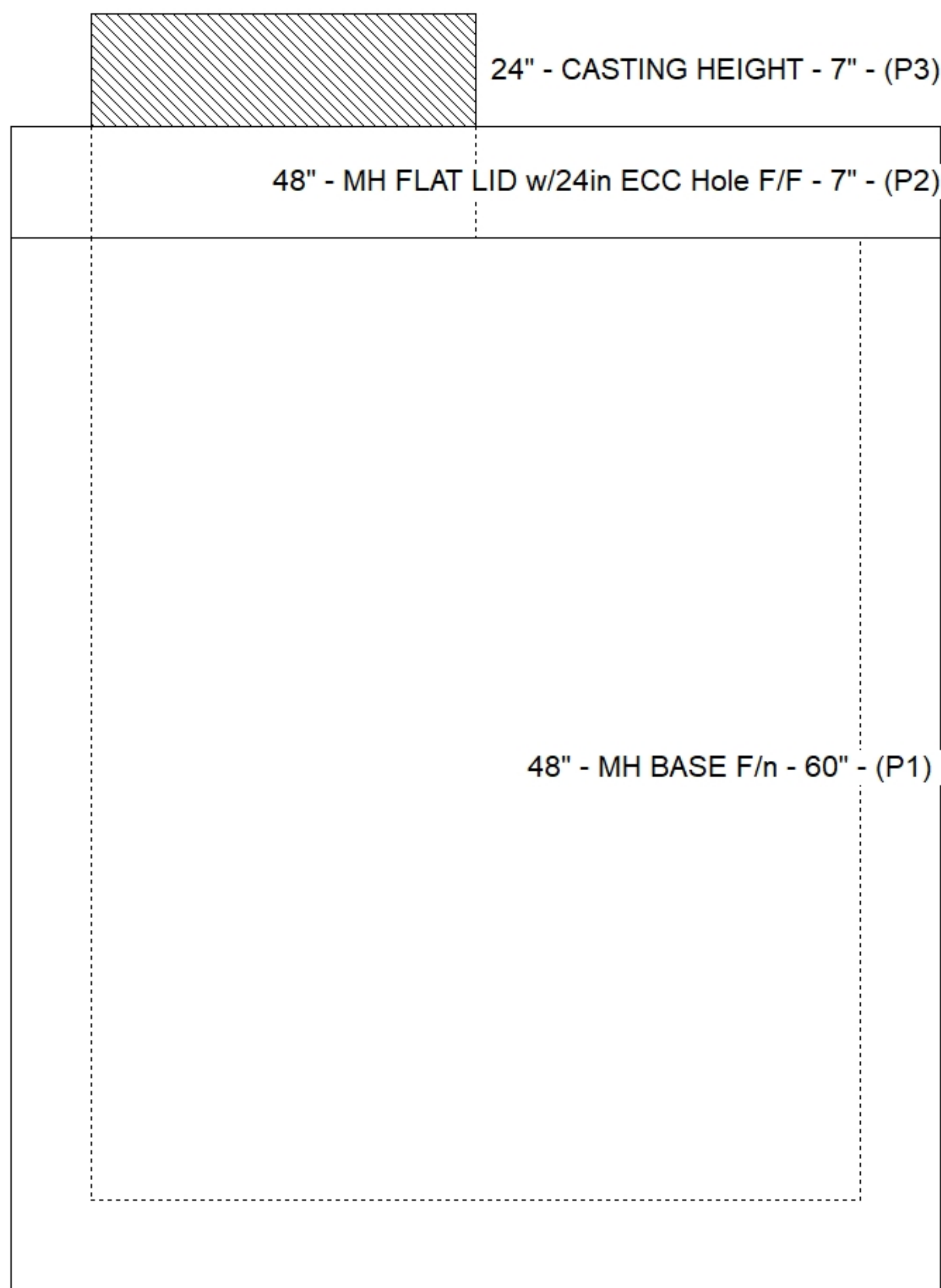
REINFORCING PER ASTM A615 (GRADE 60).
 - TOP SLAB (As .62) #5 BARS AT 6" C.C.E.W..
 - RISER/WALLS (As .12)
 - FLOOR (As .31) #5 BARS AT 12" C.C.E.W.

STRUCTURE SUMMARY:

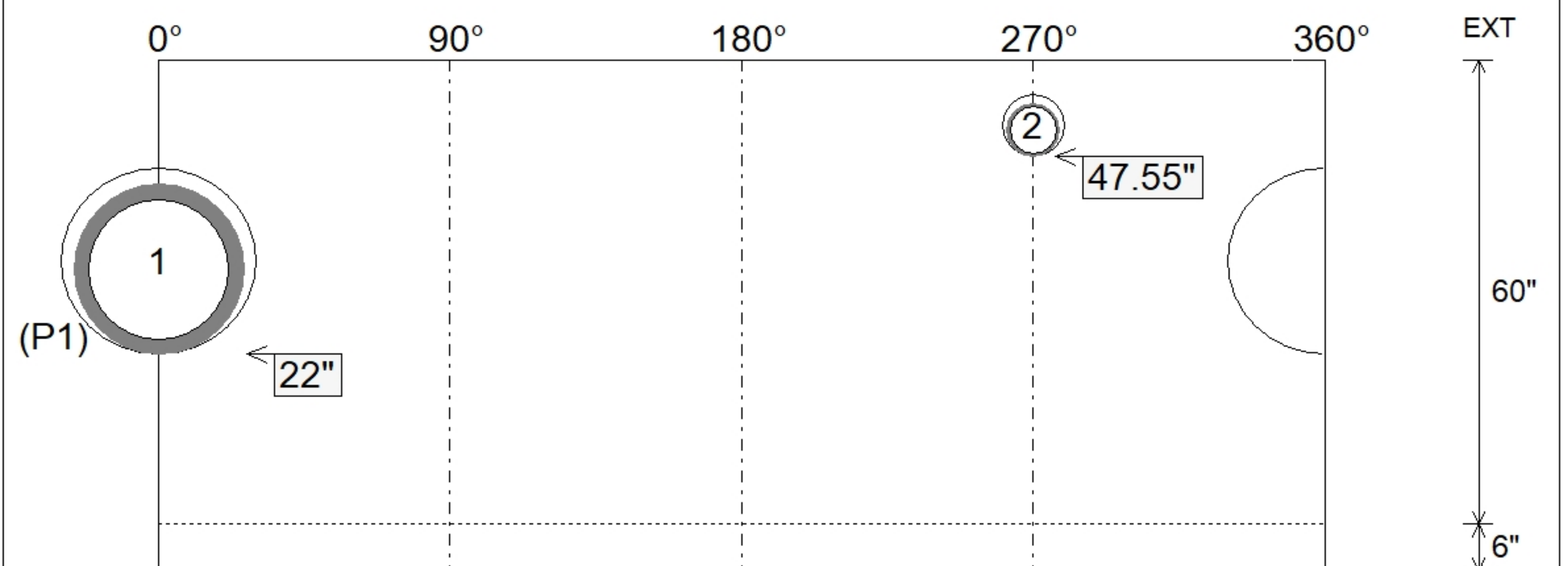
P3) 24" - CASTING HEIGHT - 7"	0 lb
P2) 48" - MH FLAT LID w/24in ECC Hole F/F - 7"	1286 lb
P1) 48" - MH BASE F/n - 60"	5303 lb
1) CASTING - HOE MCB-375-B F/Bar Grt	250 lb
1) 48" - Hamilton Kent MH Gasket	0 lb
1) Hole - 24	0 lb
1) Hole - 8	0 lb
3) MH Step ML-10-TDS-NCR - 10"	0 lb
Structure Total:	6840 lb



Position	Elev	Angle	Pipe	Pipe OD	Hole	Connector	Up ()	Ref
Rim	887.77'							
Reducer								
Invert 1	883.5'	0°	18" ADS N-12	22"	24"	Hole 24	22"	P1
Invert 2	885.5'	270°	6" HDPE (perf pipe)	6.9"	8"	Hole 8	47.55"	P1
Invert 3								
Invert 4								
Invert 5								
Invert 6								
Invert 7								
Invert 8								



Default - Interior Dimensions



Submittal Drawing
 3/4/2026 8:19:07 AM

SUBMITTAL
 APPROVED BY: