

Structure ID: CB501 (8)

P1 MH048BA60

MH BASE F/n

P3) 24" - CASTING HEIGHT - 7" P2) 48" - MH FLAT LID w/24in ECC Hole F/F - 7" P1) 48" - MH BASE F/n - 60" 1) CASTING - HOE MCB-375-B F/Bar Grt 1) 48" - Hamilton Kent MH Gasket 1) Hole - 24 1) Hole - 8 3) MH Step ML-10-TDS-NCR - 10"	0 lb 1286 lb 5303 lb 250 lb 0 lb 0 lb 0 lb 0 lb 0 lb 6840 lb	Structure Notes: 1. PER ASTM C478 SPECIFICATIONS. 2. CONCRETE = 4,000 PSI AT 28 DAYS. 3. CASTING HOE MCB-375-B BY ICAST. REINFORCING PER ASTM A615 (GRADE 60). - TOP SLAB (As .62) #5 BARS AT 6" C.C.E.W.. - RISER/WALLS (As .12) - FLOOR (As .31) #5 BARS AT 12" C.C.E.W.
-------------------------------------------------------------------------------------------------------------------------------------------------------------------------------------------------------------------------------------------------------------	-----------------------------------------------------------------------------------------	------------------------------------------------------------------------------------------------------------------------------------------------------------------------------------------------------------------------------------------------------------------------------------------------------------

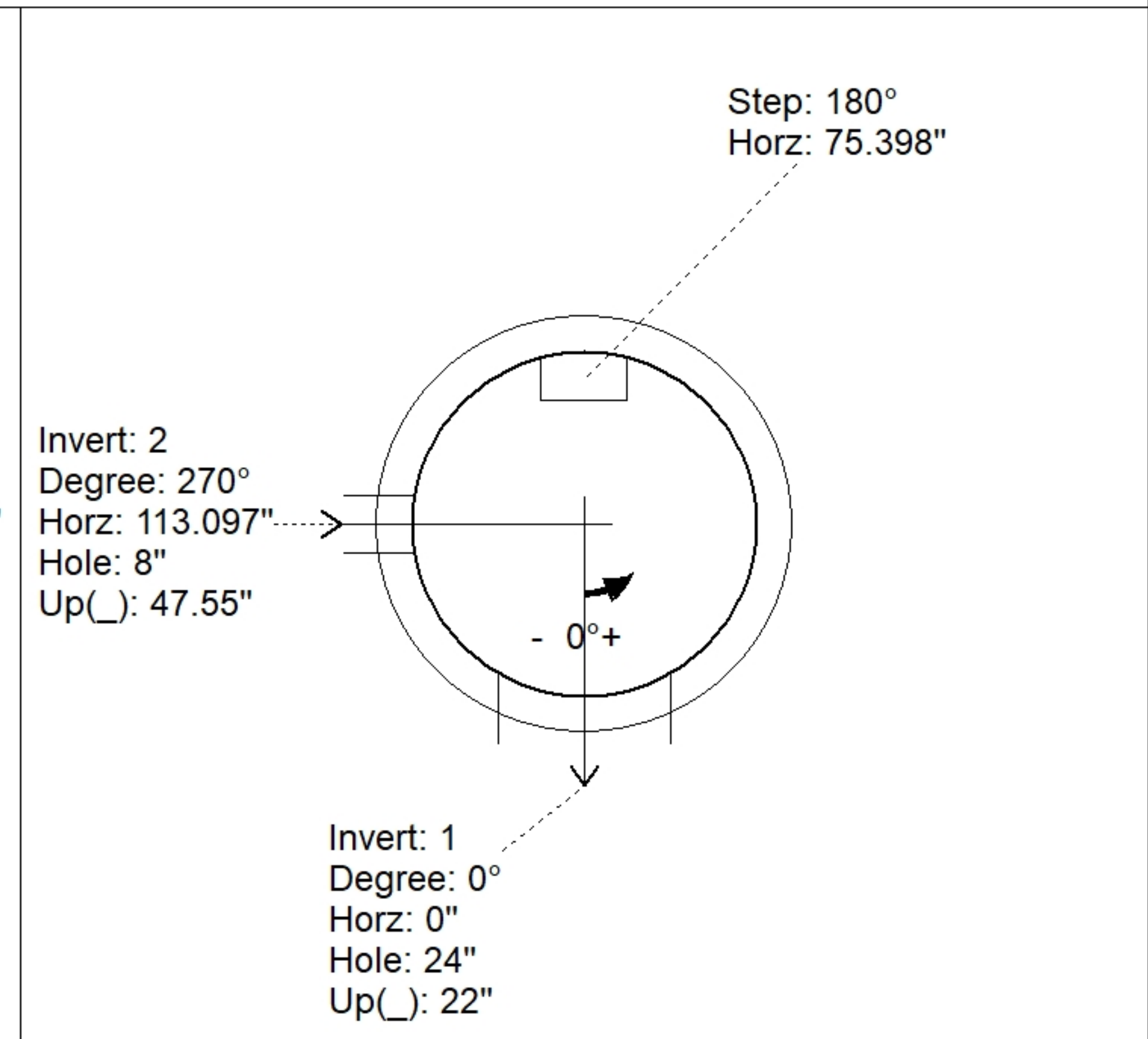
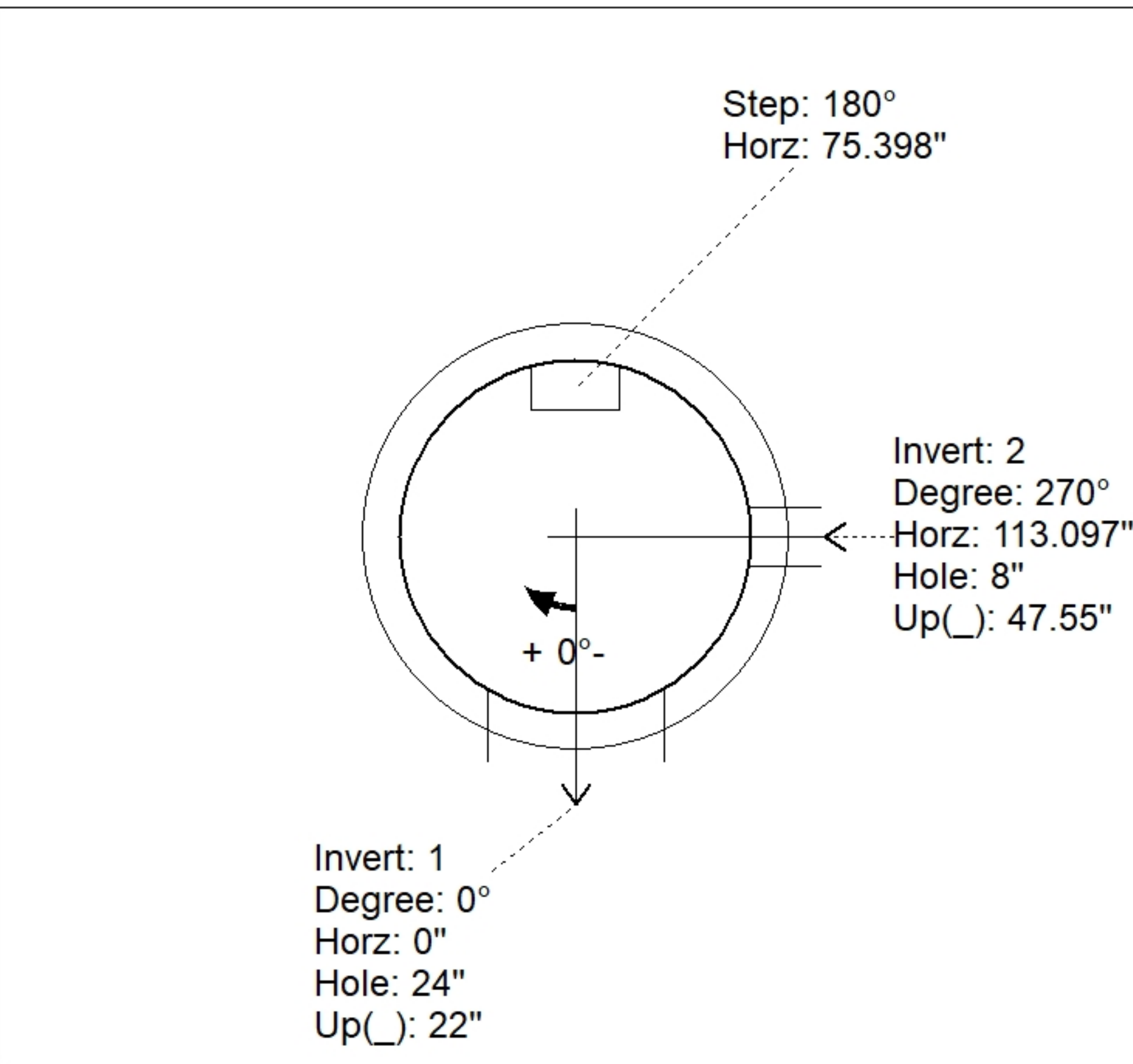
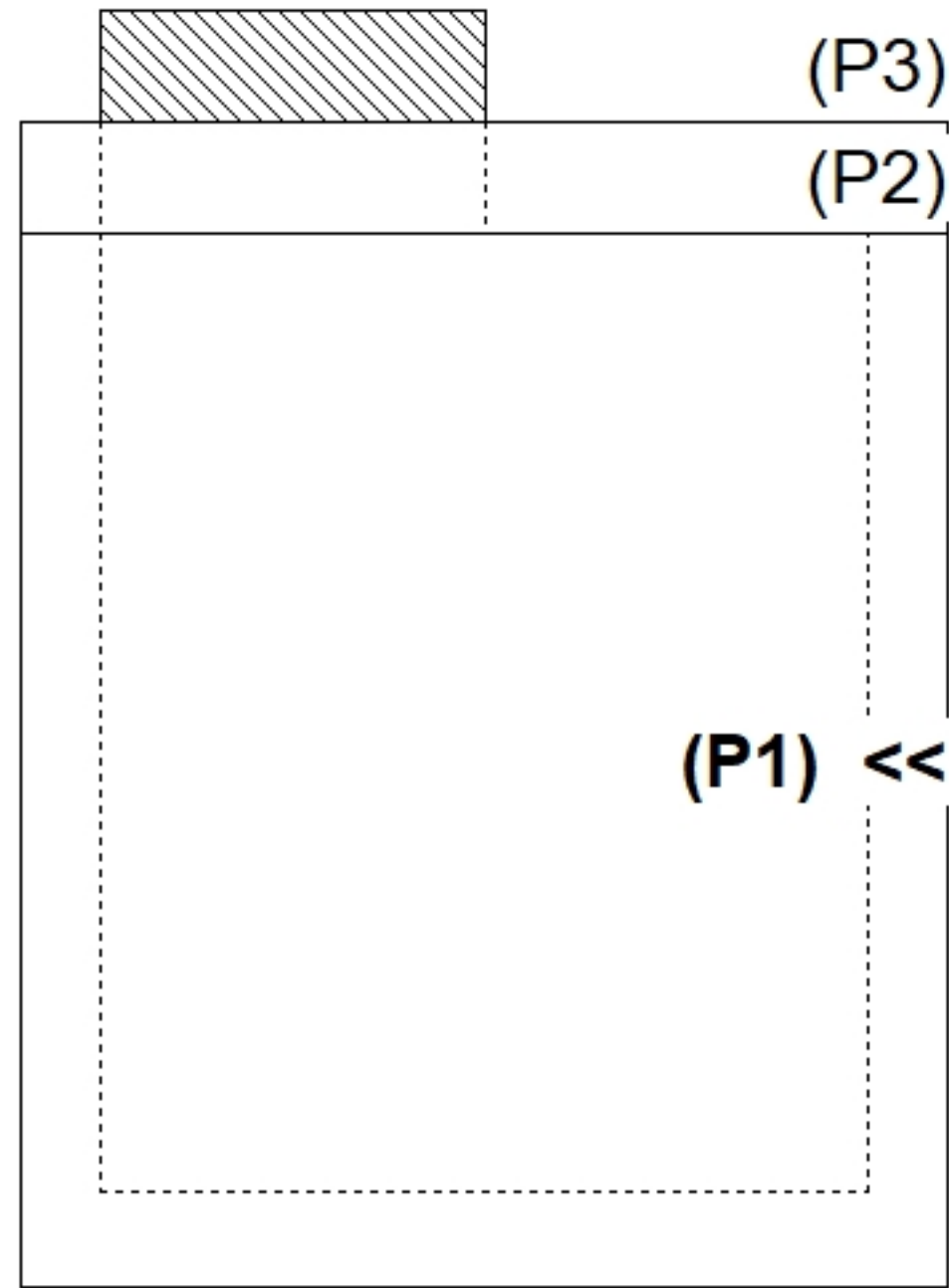
Structure Total: 6840 lb

Rim: 887.77' Rim to Invert: 4.27' Slack: 1.24" Sump: 24" Step Position: 180

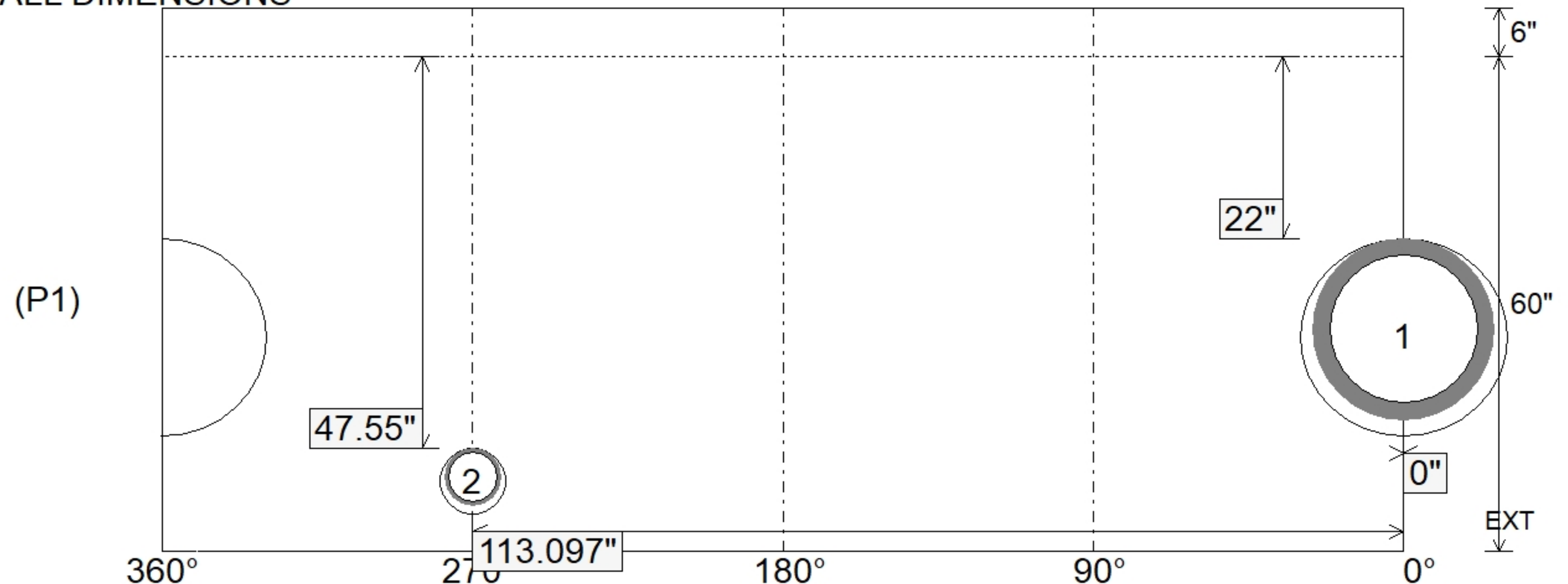
Position	Elev	Angle	Ext. (cw)	Pipe	Pipe OD	Connector	Hole	Horz Size	Up ()	Offset
Invert 1	883.5'	0°	0"	18" ADS N-12	22"	Hole 24	24"	25.133"	22"	0"
Invert 2	885.5'	270°	136.659"	6" HDPE (perf pipe)	6.9"	Hole 8	8"	8.038"	47.55"	0"
Invert 3										
Invert 4										
Invert 5										
Invert 6										
Invert 7										
Invert 8										

RIGHT-SIDE UP VIEW (int. dimensions)

UPSIDE-DOWN VIEW (int. dimensions)



INSIDE WALL DIMENSIONS



Coating (Int): Coating (Ext):	Seam Up: Flat Seam Dn: n/a	Wall Thickness: 5" Floor Height: 6"	Height (Int): 60" Height (Ext): 66"	Weight (Net): 5303 lb Volume (Net): 1.36cu.yd
----------------------------------	-------------------------------	----------------------------------------	----------------------------------------	--------------------------------------------------