

Job Name: 25-4674 TMMI Maverick SW3 & 4
Job Location: Georgetown, KY
Contractor: Aristeo Contracting

PC: E. Bradley
 TECH: S. Felletter
 Plant: Beaver Dam



Structure ID: **CB315 (7)**

Spec: Storm
 Type: STM.MH
 Size: 60"

Rim: 908.49'
 Invert: 897.94'
 Rim to Invert: 10.55'

Sump: 24"
 Floor (Top): 895.94'
 Floor Height: 8"

Floor (Bot): 895.273'
 Overall Height: 13.167'
 Slack: 0.6"

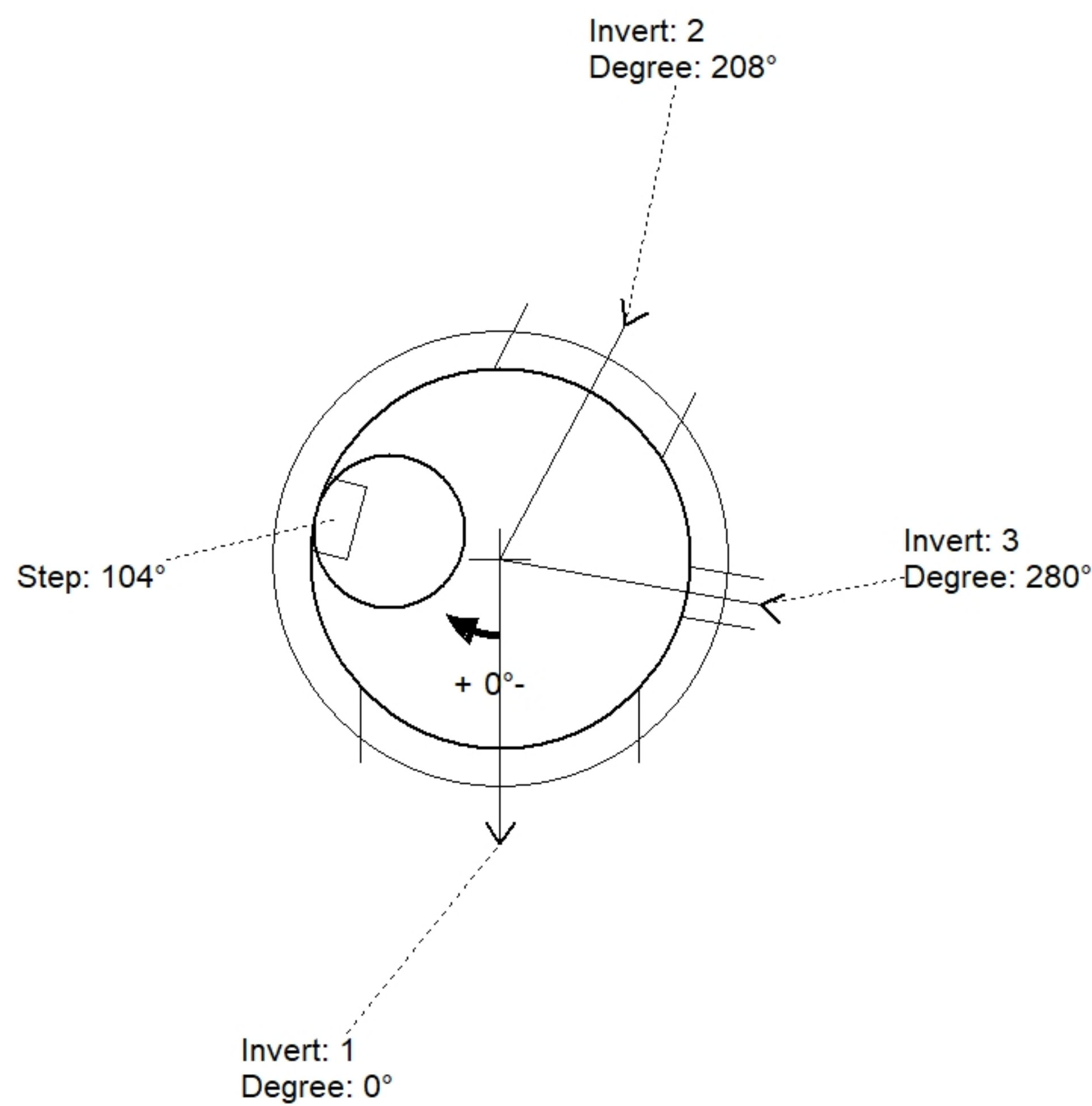
Structure Notes:

- PER ASTM C478 SPECIFICATIONS.
- CONCRETE = 4,000 PSI AT 28 DAYS.
- CASTING HOE MCB-375-B BY ICAST.

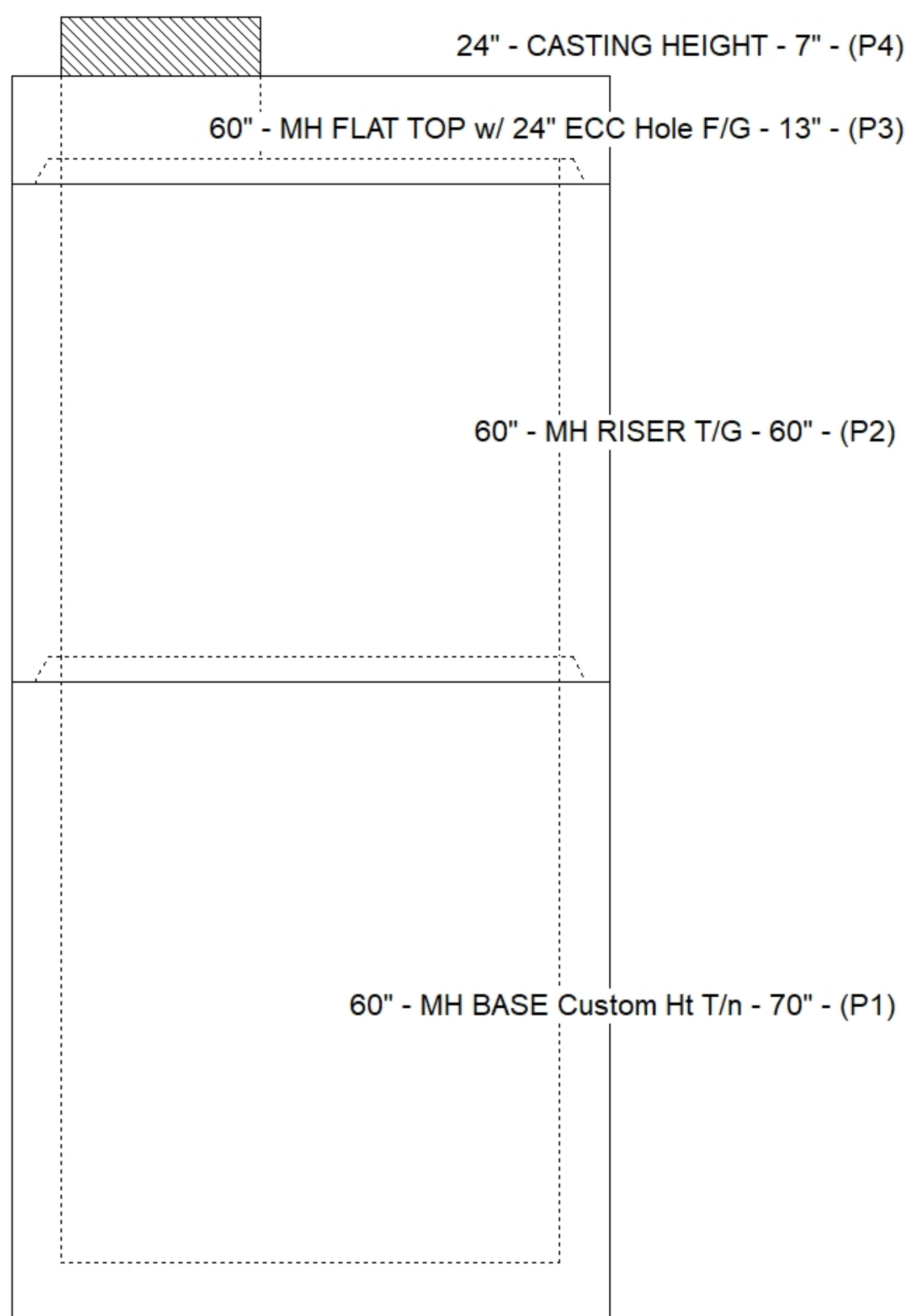
REINFORCING PER ASTM A615 (GRADE 60).
 - TOP SLAB (As .62) #5 BARS AT 6" C.C.E.W..
 - RISER/WALLS (As .18)
 - FLOOR (As .37) #5 BARS AT 10" C.C.E.W.

STRUCTURE SUMMARY:

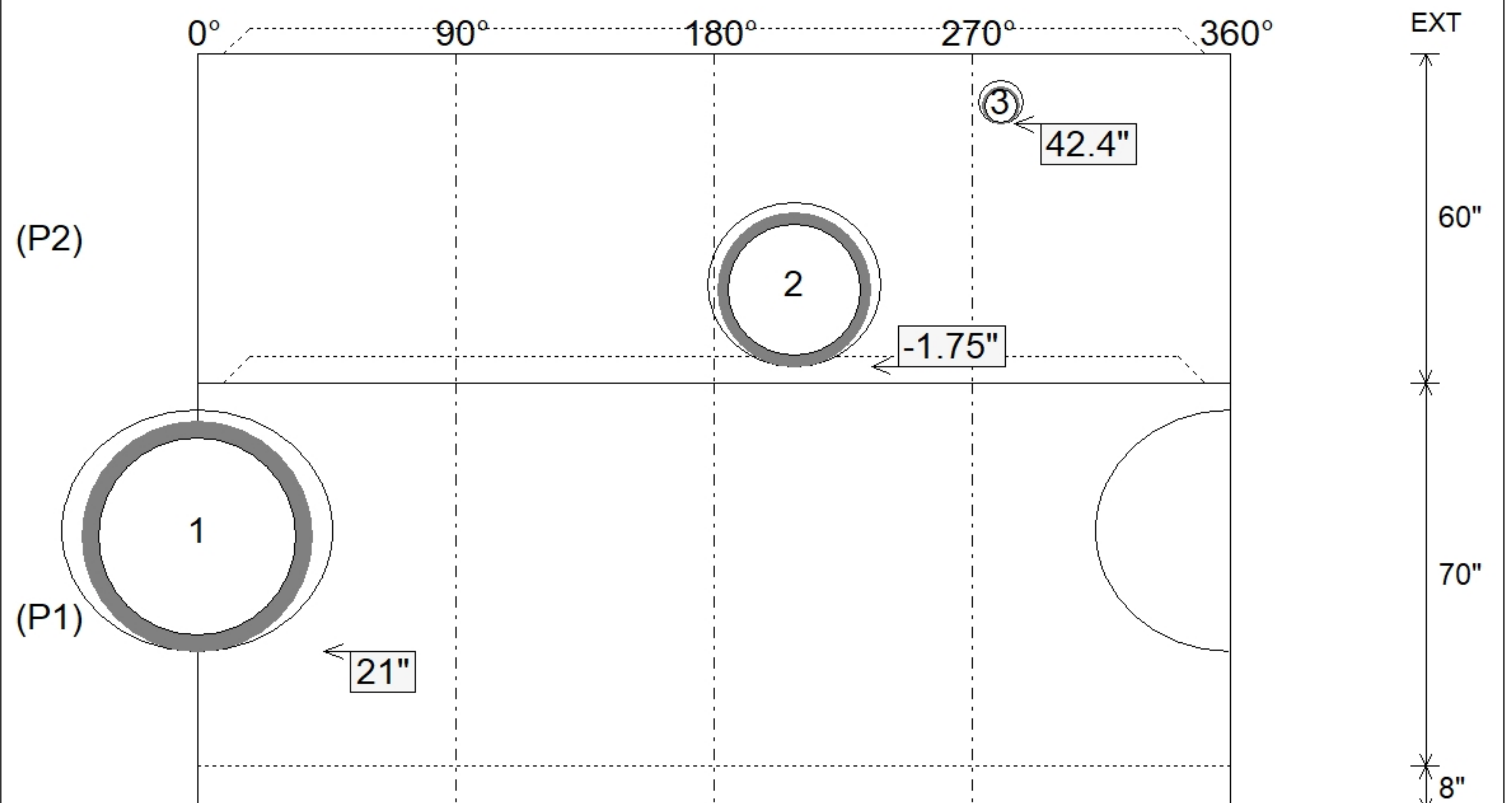
P4) 24" - CASTING HEIGHT - 7"	0 lb
P3) 60" - MH FLAT TOP w/ 24" ECC Hole F/G - 13"	2869 lb
P2) 60" - MH RISER T/G - 60"	5868 lb
P1) 60" - MH BASE Custom Ht T/n - 70"	9199 lb
1) CASTING - HOE MCB-375-B F/Bar Grt	250 lb
2) 60" - Hamilton Kent MH Gasket	0 lb
1) Hole - 44	0 lb
1) Hole - 30	0 lb
1) Hole - 8	0 lb
9) MH Step ML-10-TDS-NCR - 10"	0 lb
Structure Total:	18186 lb



Position	Elev	Angle	Pipe	Pipe OD	Hole	Connector	Up ()	Ref
Rim	908.49'							
Reducer								
Invert 1	897.94'	0°	36" ADS N-12	42"	44"	Hole 44	21"	P1
Invert 2	902.19'	208°	24" ADS N-12	28"	30"	Hole 30	-1.75"	P2
Invert 3	905.74'	280°	6" HDPE (perf pipe)	6.9"	8"	Hole 8	42.4"	P2
Invert 4								
Invert 5								
Invert 6								
Invert 7								
Invert 8								



Default - Interior Dimensions



Submittal Drawing
 3/4/2026 8:19:06 AM

SUBMITTAL
 APPROVED BY: