

Structure ID: CB315 (7)

P1 MH060BAVF

MH BASE Custom Ht T/n

P4) 24" - CASTING HEIGHT - 7" P3) 60" - MH FLAT TOP w/ 24" ECC Hole F/G - 13" P2) 60" - MH RISER T/G - 60" P1) 60" - MH BASE Custom Ht T/n - 70" 1) CASTING - HOE MCB-375-B F/Bar Grt 2) 60" - Hamilton Kent MH Gasket 1) Hole - 44 1) Hole - 30 1) Hole - 8 9) MH Step ML-10-TDS-NCR - 10"	0 lb 2869 lb 5868 lb 9199 lb 250 lb 0 lb 0 lb 0 lb 0 lb 0 lb 0 lb ----- Structure Total: 18186 lb
--	---

Structure Notes:
 1. PER ASTM C478 SPECIFICATIONS.
 2. CONCRETE = 4,000 PSI AT 28 DAYS.
 3. CASTING HOE MCB-375-B BY ICAST.

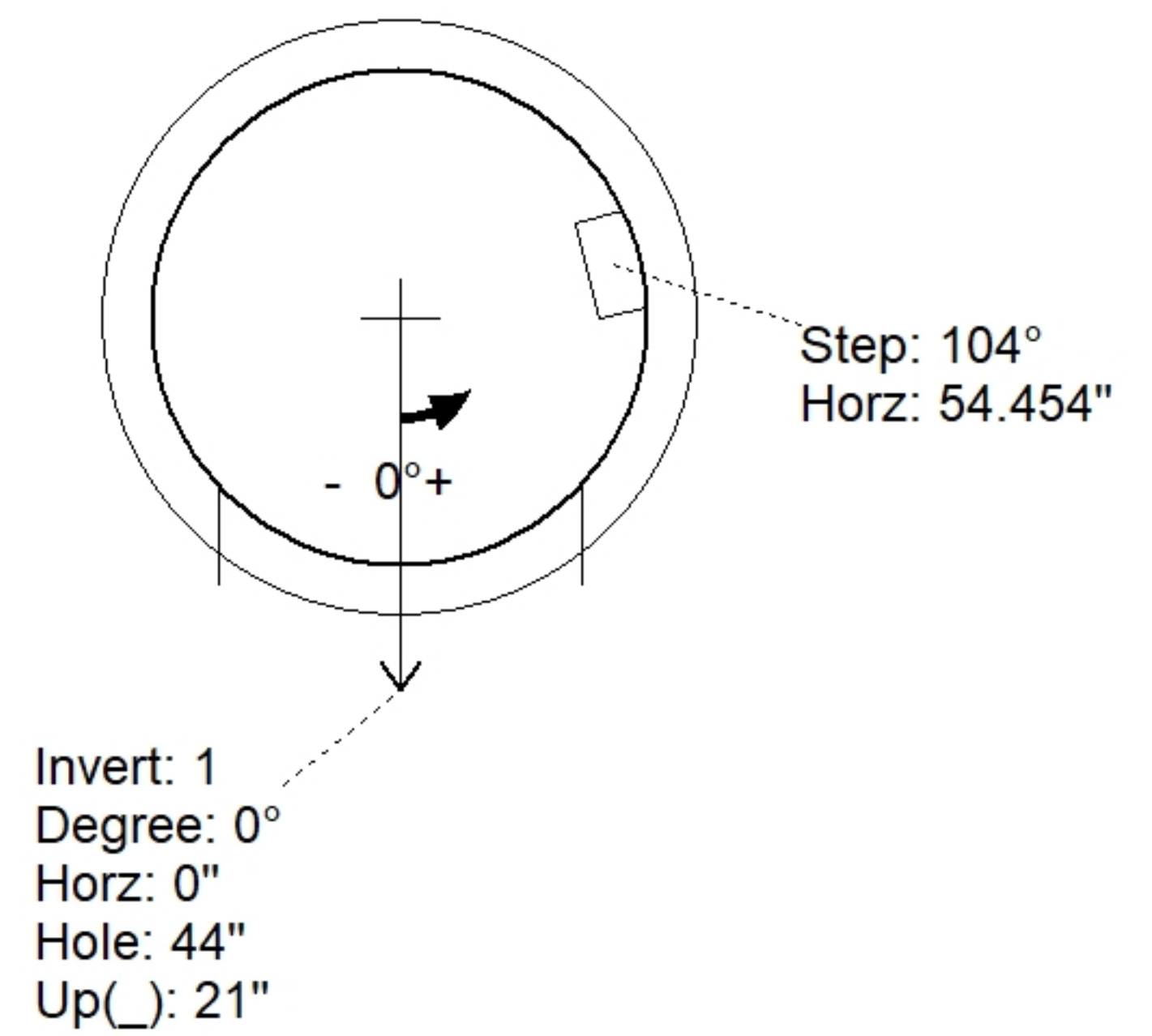
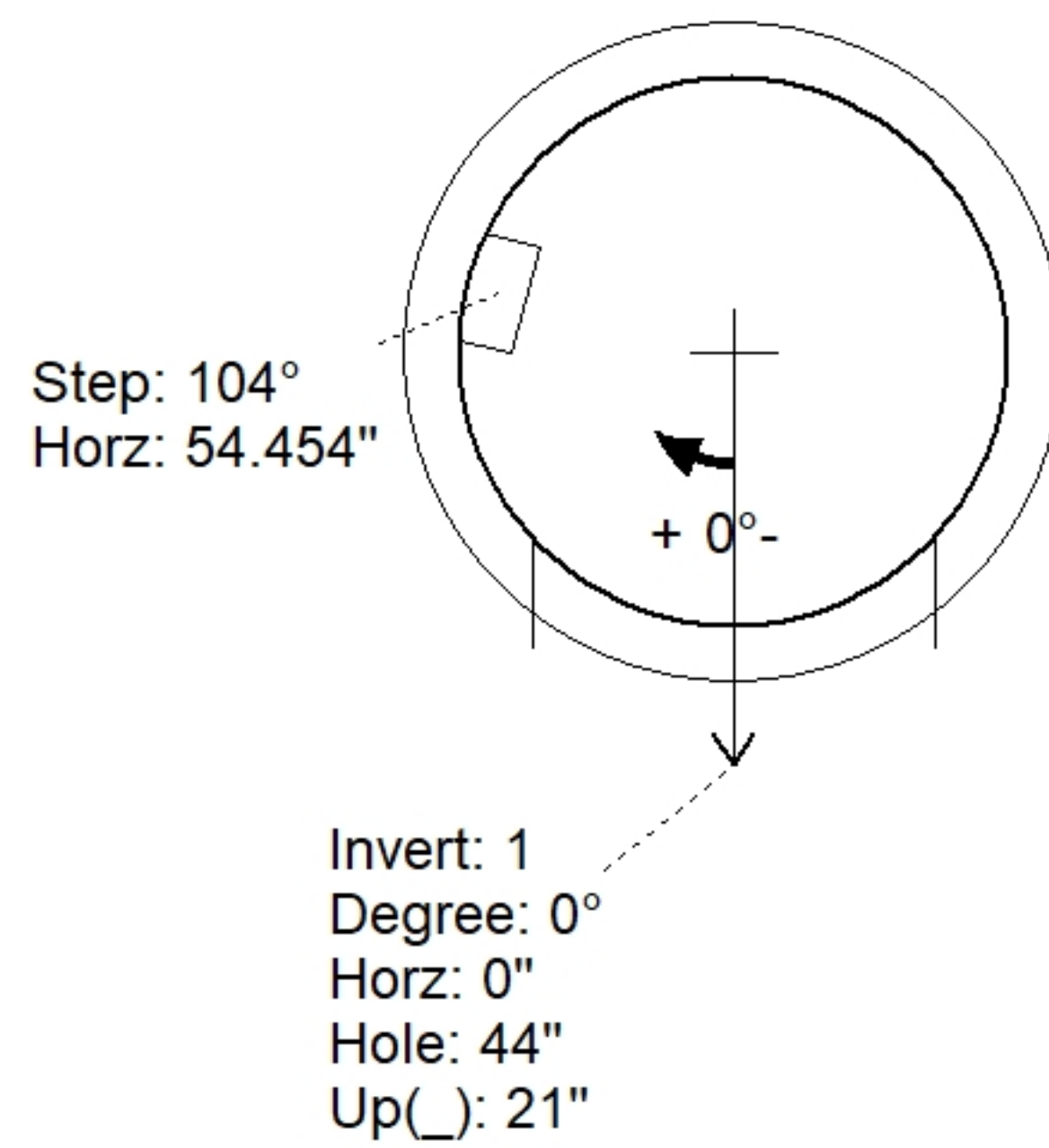
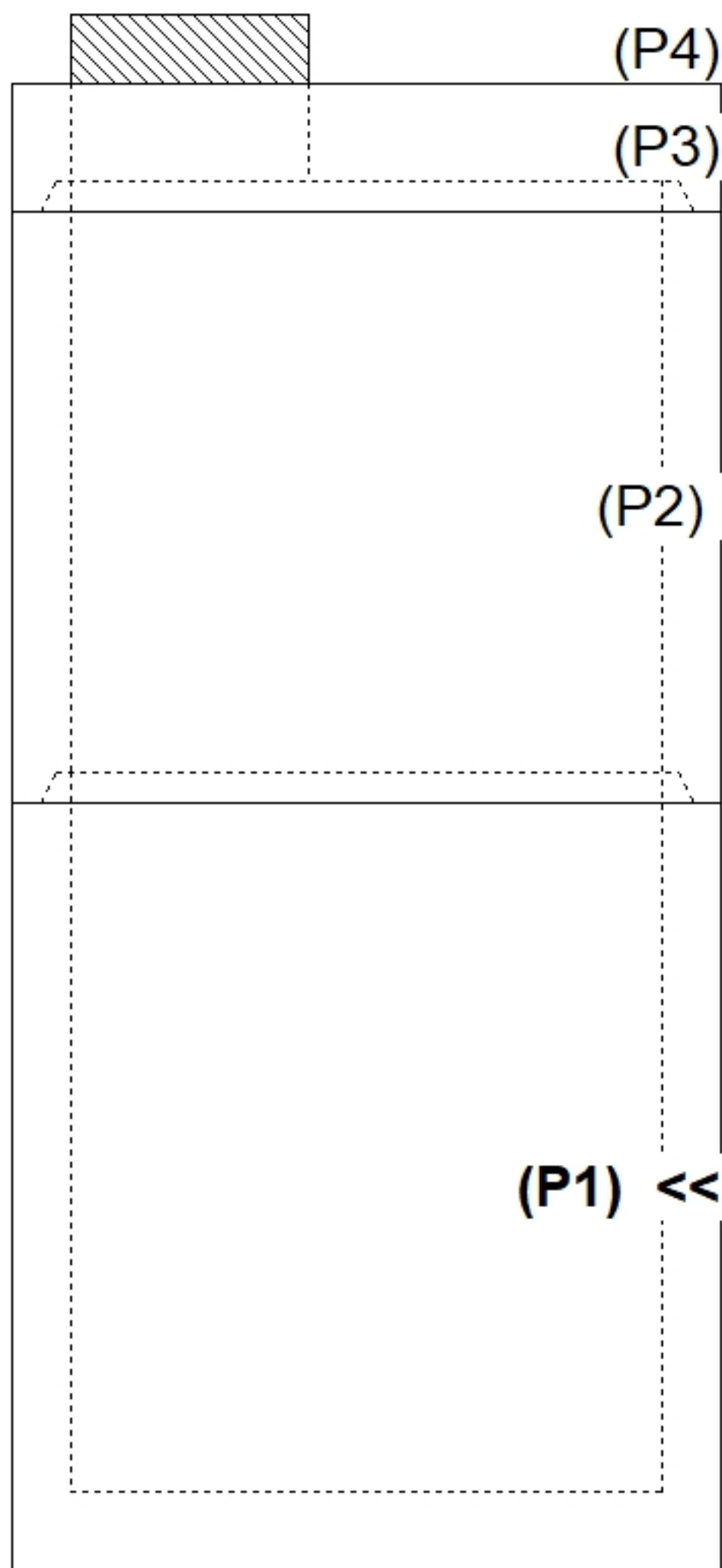
REINFORCING PER ASTM A615 (GRADE 60).
 - TOP SLAB (As .62) #5 BARS AT 6" C.C.E.W..
 - RISER/WALLS (As .18)
 - FLOOR (As .37) #5 BARS AT 10" C.C.E.W.

Rim: 908.49' Rim to Invert: 10.55' Slack: 0.6" Sump: 24" Step Position: 104°

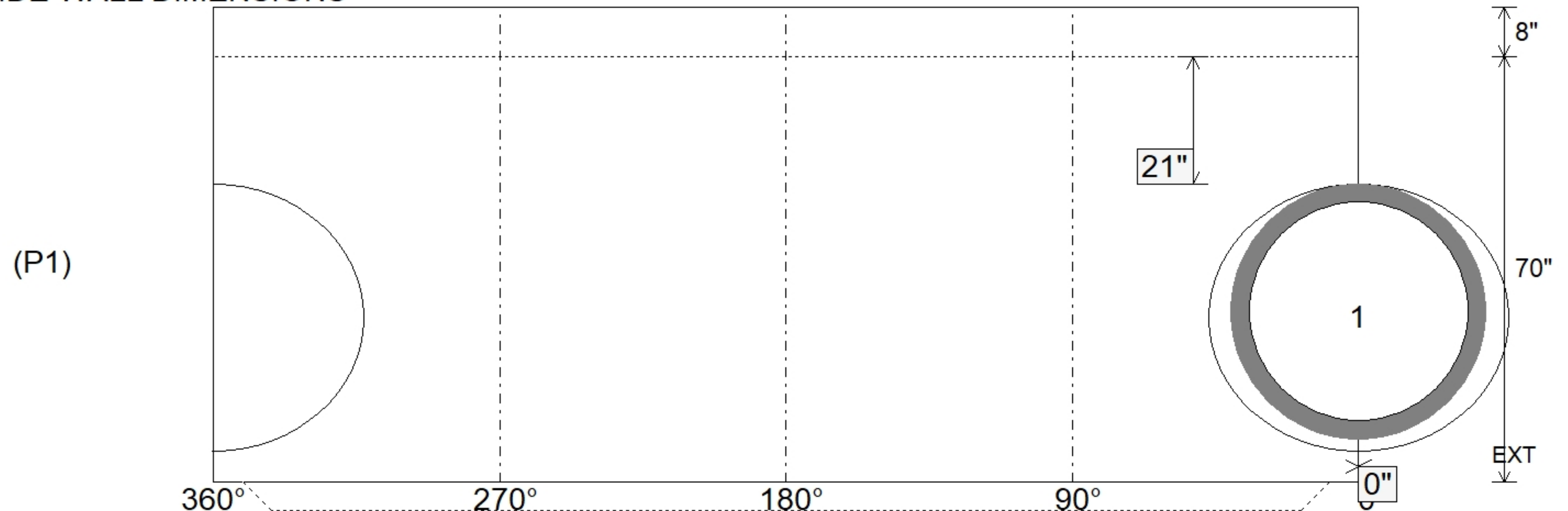
Position	Elev	Angle	Ext. (cw)	Pipe	Pipe OD	Connector	Hole	Horz Size	Up (⌋)	Offset
Invert 1	897.94'	0°	0"	36" ADS N-12	42"	Hole 44	44"	49.393"	21"	0"
Invert 2										
Invert 3										
Invert 4										
Invert 5										
Invert 6										
Invert 7										
Invert 8										

RIGHT-SIDE UP VIEW (int. dimensions)

UPSIDE-DOWN VIEW (int. dimensions)



INSIDE WALL DIMENSIONS



Coating (Int):	Seam Up: Tongue	Wall Thickness: 6"	Height (Int): 70"	Weight (Net): 9199 lb
Coating (Ext):	Seam Dn: n/a	Floor Height: 8"	Height (Ext): 78"	Volume (Net): 2.35cu.yd