

**Job Name: 25-4674 TMMI Maverick SW3 & 4**  
**Job Location: Georgetown, KY**  
**Contractor: Aristeo Contracting**

PC: E. Bradley  
 TECH: S. Felletter  
 Plant: Beaver Dam



Structure ID: **CB310 (6)**

Spec: Storm  
 Type: STM.MH  
 Size: 48"

Rim: 912.4'  
 Invert: 907.32'  
 Rim to Invert: 5.08'

Sump: 24"  
 Floor (Top): 905.32'  
 Floor Height: 6"

Floor (Bot): 904.82'  
 Overall Height: 7.083'  
 Slack: 5.96"

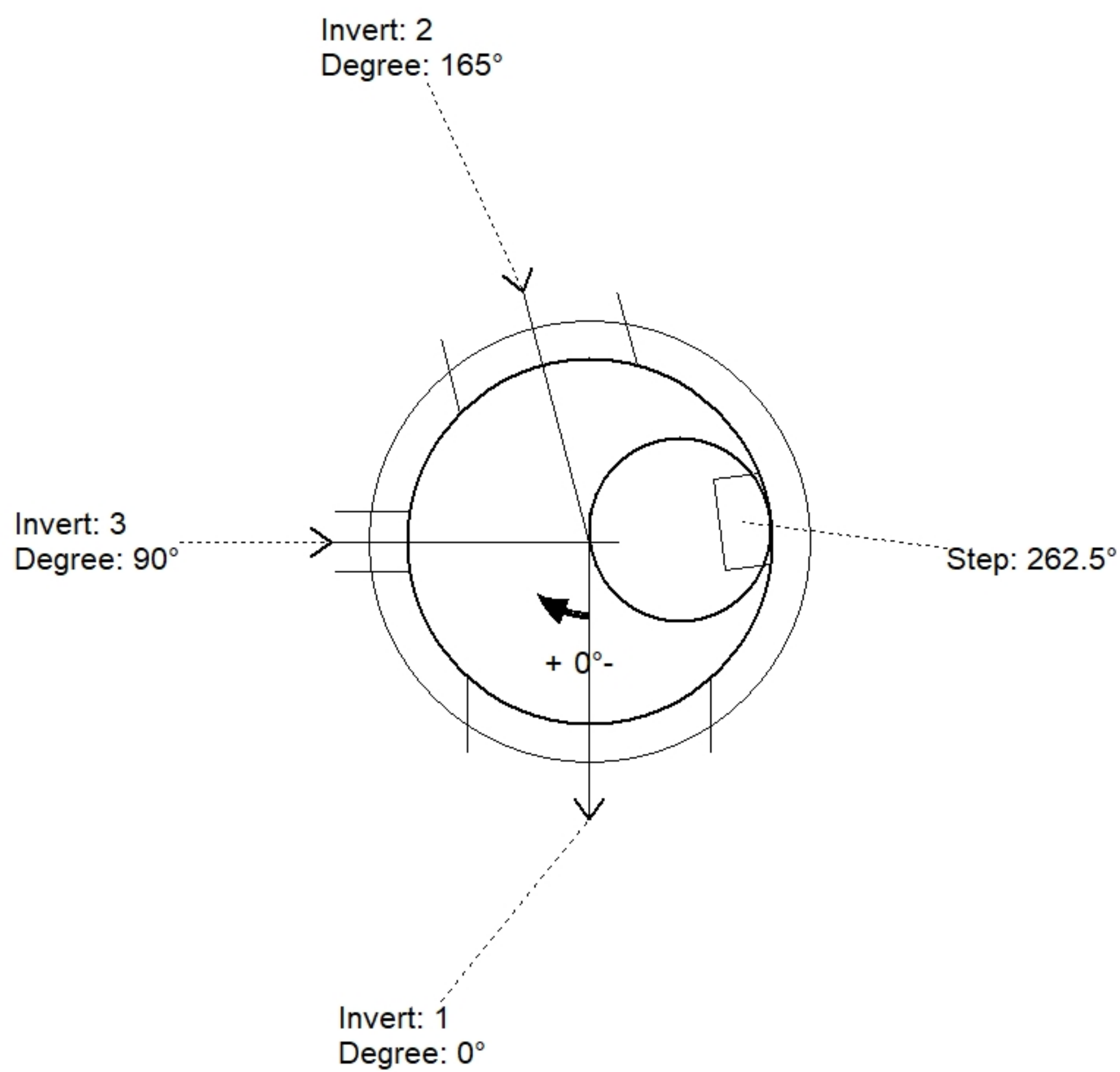
Structure Notes:

1. PER ASTM C913 SPECIFICATIONS.
2. CONCRETE = 5,000 PSI AT 28 DAYS.
3. CASTING HOE MCB-375-B BY ICAST.

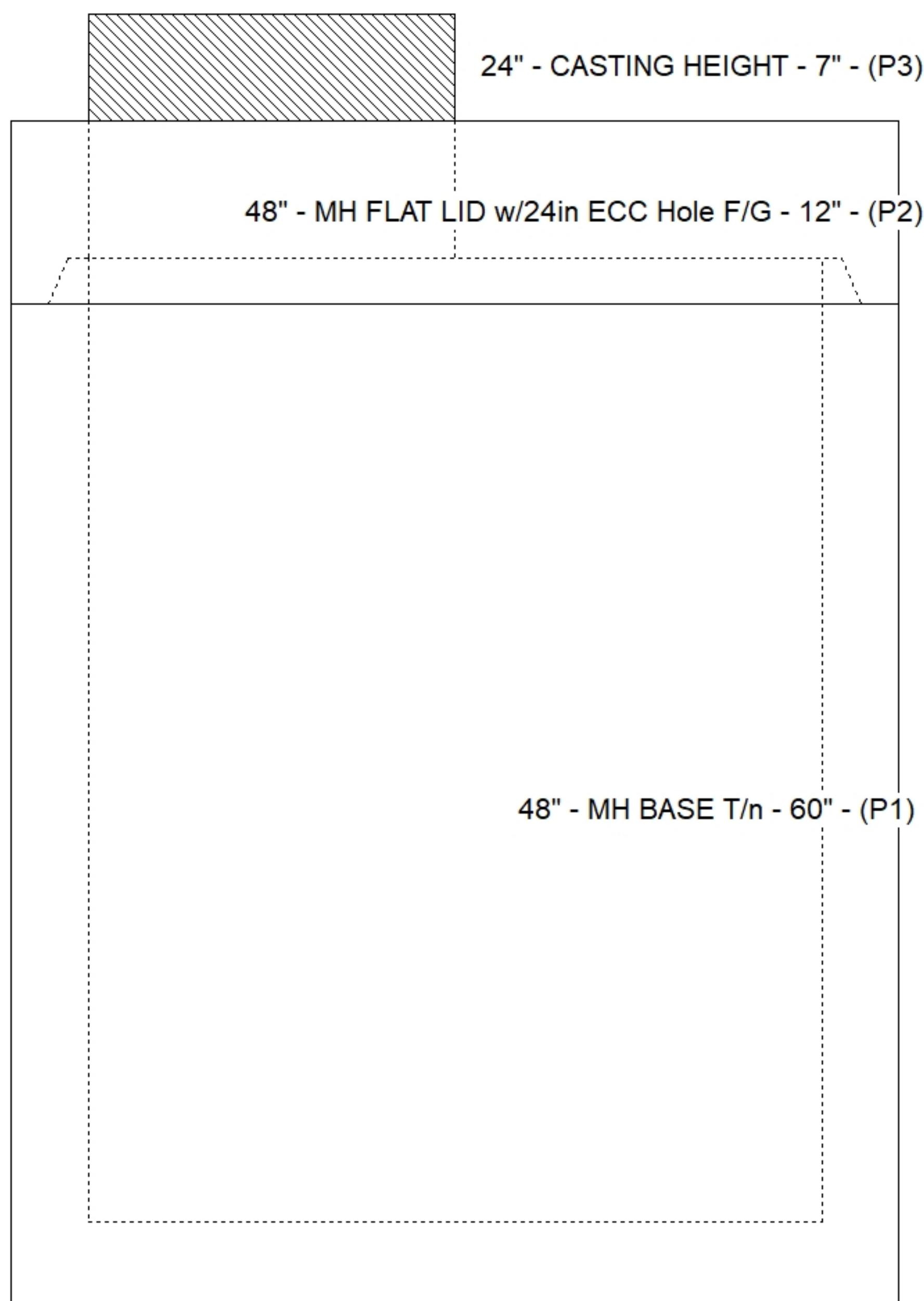
REINFORCING PER ASTM A615 (GRADE 60).  
 - TOP SLAB (As .62) #5 BARS AT 6" C.C.E.W.  
 - WALLS (As .47) #5 BARS AT 8" C.C.E.W.  
 - FLOOR (As .47) #5 BARS AT 8" C.C.E.W.

STRUCTURE SUMMARY:

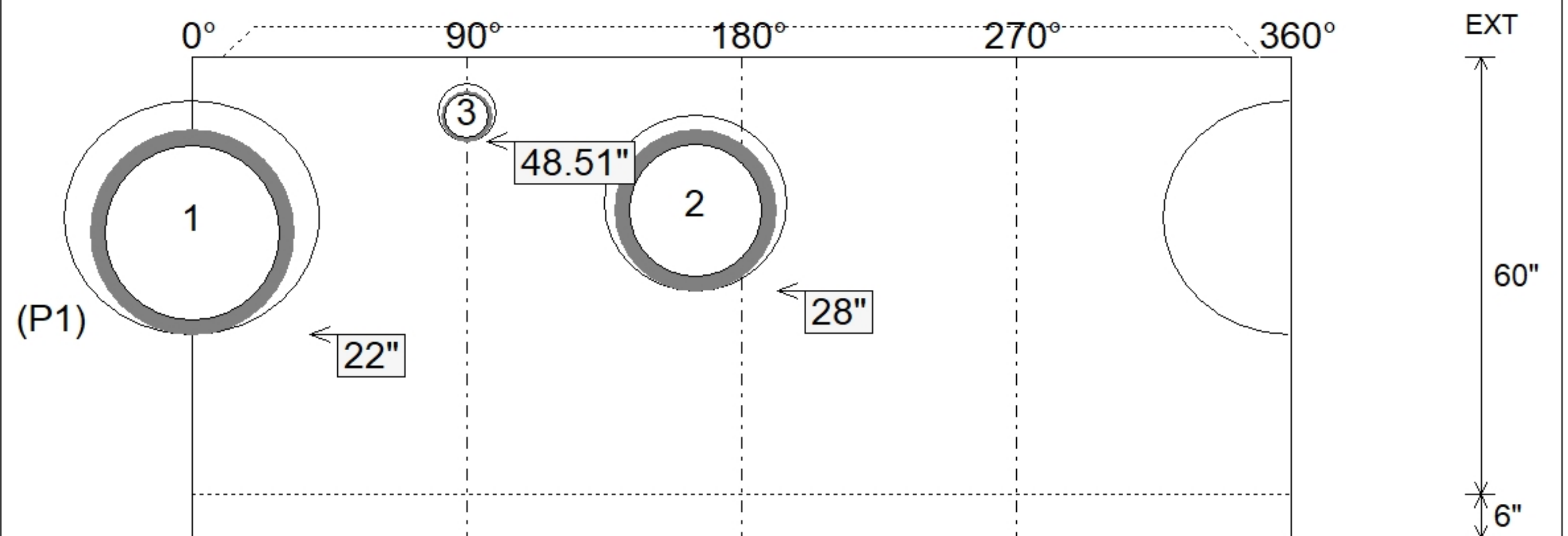
P3) 24" - CASTING HEIGHT - 7"	0 lb
P2) 48" - MH FLAT LID w/24in ECC Hole F/G - 12"	1561 lb
P1) 48" - MH BASE T/n - 60"	4940 lb
1) CASTING - HOE MCB-375-B F/Bar Grt	250 lb
1) 48" - Hamilton Kent MH Gasket	0 lb
1) Hole - 32	0 lb
1) Hole - 24	0 lb
1) Hole - 8	0 lb
3) MH Step ML-10-TDS-NCR - 10"	0 lb
<b>Structure Total:</b>	<b>6751 lb</b>



Position	Elev	Angle	Pipe	Pipe OD	Hole	Connector	Up ( )	Ref
Rim	912.4'							
Reducer								
Invert 1	907.32'	0°	24" ADS N-12	28"	32"	Hole 32	22"	P1
Invert 2	907.82'	165°	18" ADS N-12	22"	24"	Hole 24	28"	P1
Invert 3	909.4'	90°	6" HDPE (perf pipe)	6.9"	8"	Hole 8	48.51"	P1
Invert 4								
Invert 5								
Invert 6								
Invert 7								
Invert 8								



Default - Interior Dimensions



Submittal Drawing  
 3/4/2026 8:19:06 AM

SUBMITTAL  
 APPROVED BY: