

Job Name: 25-4674 TMMI Maverick SW3 & 4  
 Job Location: Georgetown, KY  
 Contractor: Aristeo Contracting

Plant: Beaver Dam  
 3/2/2026 3:14:31 PM

Tech: S. Felletter  
 PC: E. Bradley



**Structure ID: CB310 (6)**

**P2 MH048LD12ECC**

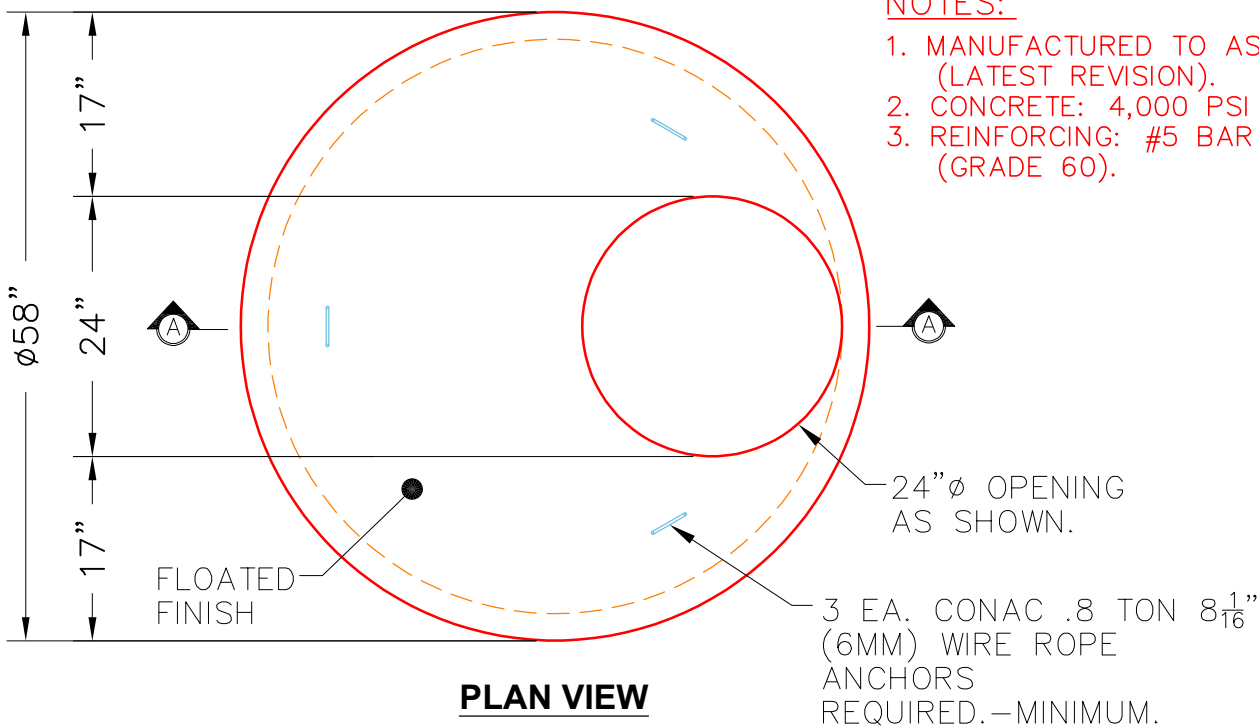
**MH FLAT LID w/24in ECC Hole F/G**

- P3) 24" - CASTING HEIGHT - 7"
- P2) 48" - MH FLAT LID w/24in ECC Hole F/G - 12"
- P1) 48" - MH BASE T/n - 60"
- 1) CASTING - HOE MCB-375-B F/Bar Grt
- 1) 48" - Hamilton Kent MH Gasket
- 1) Hole - 32
- 1) Hole - 24
- 1) Hole - 8
- 3) MH Step ML-10-TDS-NCR - 10"

	0 lb
	1561 lb
	4940 lb
	250 lb
	0 lb
	0 lb
	0 lb
	0 lb
	0 lb
	0 lb
Structure Total:	6751 lb

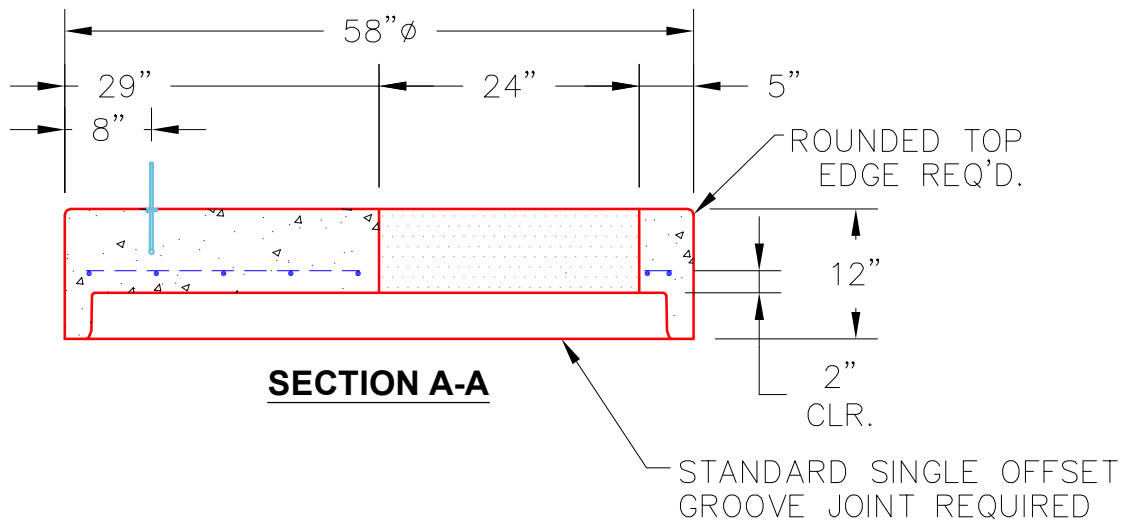
**Structure Notes:**  
 1. PER ASTM C913 SPECIFICATIONS.  
 2. CONCRETE = 5,000 PSI AT 28 DAYS.  
 3. CASTING HOE MCB-375-B BY ICAST.

REINFORCING PER ASTM A615 (GRADE 60).  
 - TOP SLAB (As .62) #5 BARS AT 6" C.C.E.W.  
 - WALLS (As .47) #5 BARS AT 8" C.C.E.W.  
 - FLOOR (As .47) #5 BARS AT 8" C.C.E.W.



**NOTES:**

1. MANUFACTURED TO ASTM C-478 (LATEST REVISION).
2. CONCRETE: 4,000 PSI AT 28 DAYS.
3. REINFORCING: #5 BAR @ 6" C.C. E.W. (GRADE 60).



Coating (Int):  
 Coating (Ext):

Seam Up: Flat  
 Seam Dn: Groove

Wall Thickness: 5"

Height (Ext): 12"

Weight (Net): 1561 lb  
 Volume (Net): 0.4cu.yd