

**Structure ID: CB305 (5)**

**P1 MH048BA60**

**MH BASE T/n**

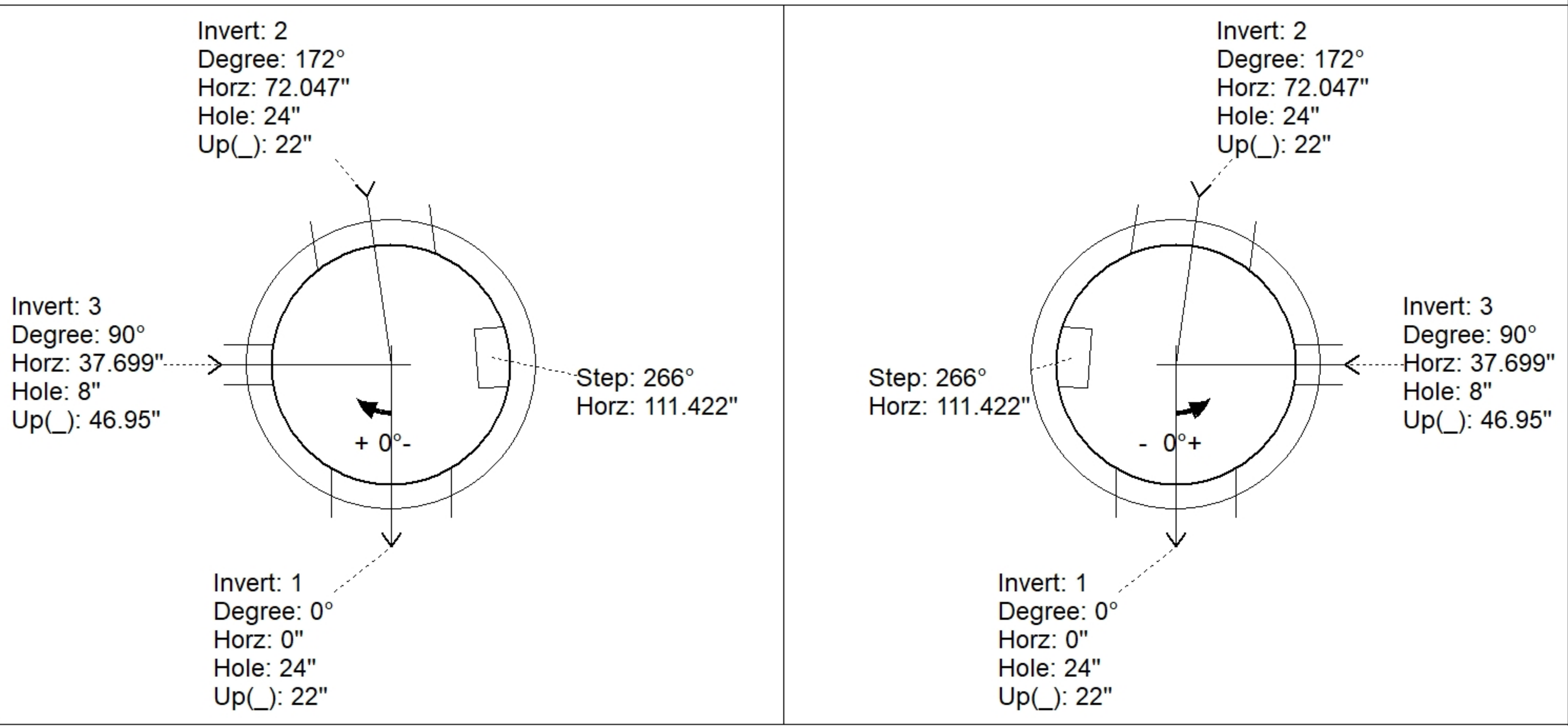
P3) 24" - CASTING HEIGHT - 7" P2) 48" - MH FLAT LID w/24in ECC Hole F/G - 12" P1) 48" - MH BASE T/n - 60" 1) CASTING - HOE MCB-375-B F/Bar Grt 1) 48" - Hamilton Kent MH Gasket 2) Hole - 24 1) Hole - 8 3) MH Step ML-10-TDS-NCR - 10"	0 lb 1561 lb 5106 lb 250 lb 0 lb 0 lb 0 lb 0 lb 0 lb	<b>Structure Notes:</b> 1. PER ASTM C478 SPECIFICATIONS. 2. CONCRETE = 4,000 PSI AT 28 DAYS. 3. CASTING HOE MCB-375-B BY ICAST.  REINFORCING PER ASTM A615 (GRADE 60). - TOP SLAB (As .62) #5 BARS AT 6" C.C.E.W.. - RISER/WALLS (As .12) - FLOOR (As .31) #5 BARS AT 12" C.C.E.W.
Structure Total: 6917 lb		

Rim: 914.57'    Rim to Invert: 4.62'    Slack: 0.44"    Sump: 24"    Step Position: 266°

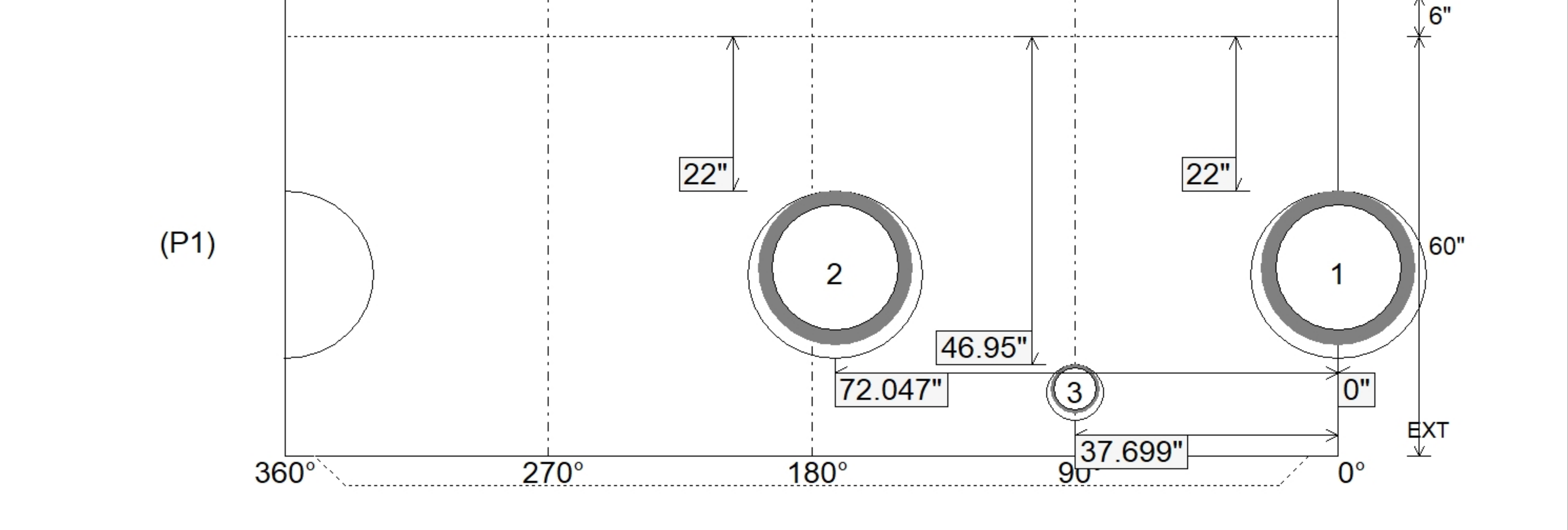
Position	Elev	Angle	Ext. (cw)	Pipe	Pipe OD	Connector	Hole	Horz Size	Up ( )	Offset
Invert 1	909.95'	0°	0"	18" ADS N-12	22"	Hole 24	24"	25.133"	22"	0"
Invert 2	909.95'	172°	87.057"	18" ADS N-12	22"	Hole 24	24"	25.133"	22"	0"
Invert 3	911.9'	90°	45.553"	6" HDPE (perf pipe)	6.9"	Hole 8	8"	8.038"	46.95"	0"
Invert 4										
Invert 5										
Invert 6										
Invert 7										
Invert 8										

**RIGHT-SIDE UP VIEW (int. dimensions)**

**UPSIDE-DOWN VIEW (int. dimensions)**



**INSIDE WALL DIMENSIONS**



Coating (Int): Coating (Ext):	Seam Up: Tongue Seam Dn: n/a	Wall Thickness: 5" Floor Height: 6"	Height (Int): 60" Height (Ext): 66"	Weight (Net): 5106 lb Volume (Net): 1.3cu.yd
----------------------------------	---------------------------------	--	--	---