

Job Name: 25-4674 TMMI Maverick SW3 & 4  
 Job Location: Georgetown, KY  
 Contractor: Aristeo Contracting

Plant: Beaver Dam  
 3/2/2026 3:14:29 PM

Tech: S. Felletter  
 PC: E. Bradley



**Structure ID: CB300 (4)**

**P2 MH048LD12ECC**

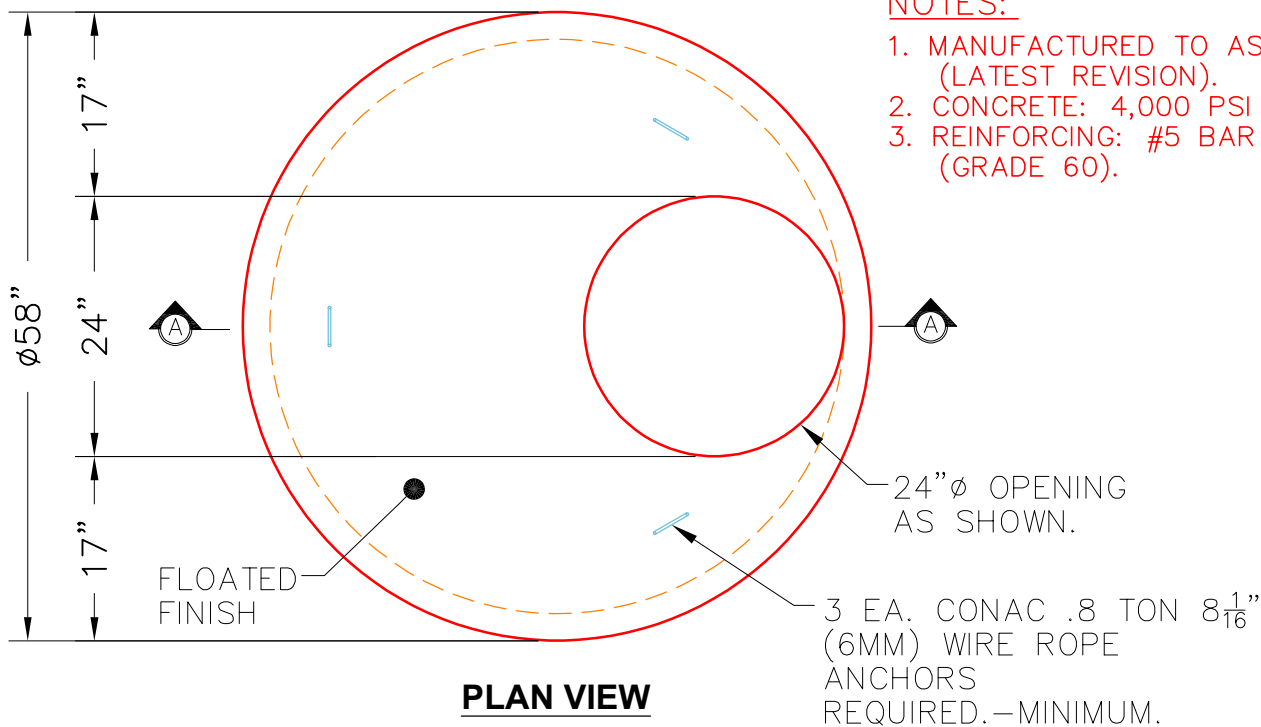
**MH FLAT LID w/24in ECC Hole F/G**

- P3) 24" - CASTING HEIGHT - 7"
- P2) 48" - MH FLAT LID w/24in ECC Hole F/G - 12"
- P1) 48" - MH BASE T/n - 60"
- 1) CASTING - HOE MCB-375-B F/Bar Grt
- 1) 48" - Hamilton Kent MH Gasket
- 1) Hole - 24
- 1) Hole - 8
- 3) MH Step ML-10-TDS-NCR - 10"

0 lb  
 1561 lb  
 5303 lb  
 250 lb  
 0 lb  
 0 lb  
 0 lb  
 0 lb  
 0 lb  
 Structure Total: 7114 lb

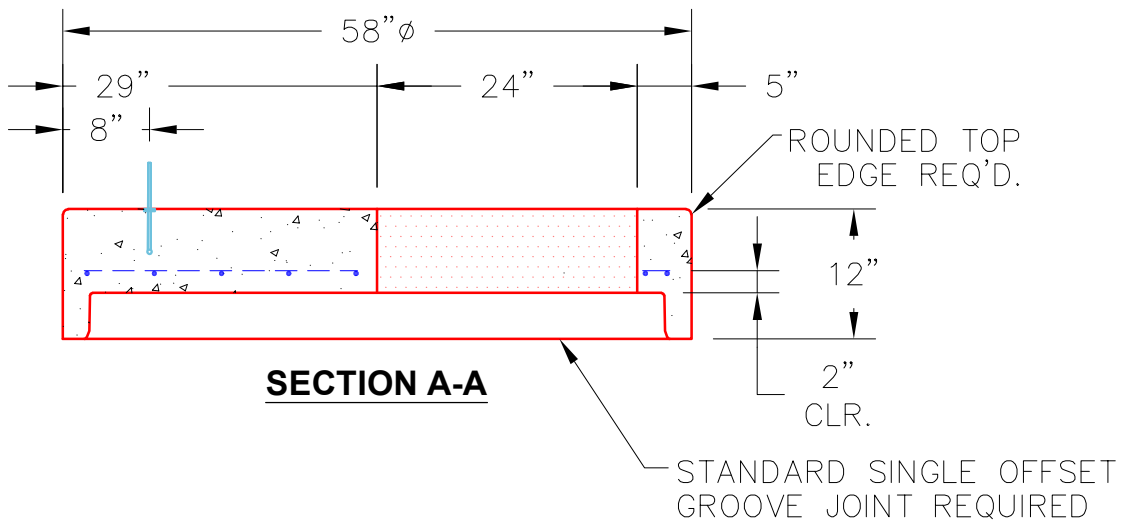
**Structure Notes:**  
 1. PER ASTM C478 SPECIFICATIONS.  
 2. CONCRETE = 4,000 PSI AT 28 DAYS.  
 3. CASTING HOE MCB-375-B BY ICAST.

REINFORCING PER ASTM A615 (GRADE 60).  
 - TOP SLAB (As .62) #5 BARS AT 6" C.C.E.W..  
 - RISER/WALLS (As .12)  
 - FLOOR (As .31) #5 BARS AT 12" C.C.E.W.



**NOTES:**

- 1. MANUFACTURED TO ASTM C-478 (LATEST REVISION).
- 2. CONCRETE: 4,000 PSI AT 28 DAYS.
- 3. REINFORCING: #5 BAR @ 6" C.C. E.W. (GRADE 60).



Coating (Int):  
 Coating (Ext):

Seam Up: Flat  
 Seam Dn: Groove

Wall Thickness: 5"

Height (Ext): 12"

Weight (Net): 1561 lb  
 Volume (Net): 0.4cu.yd