

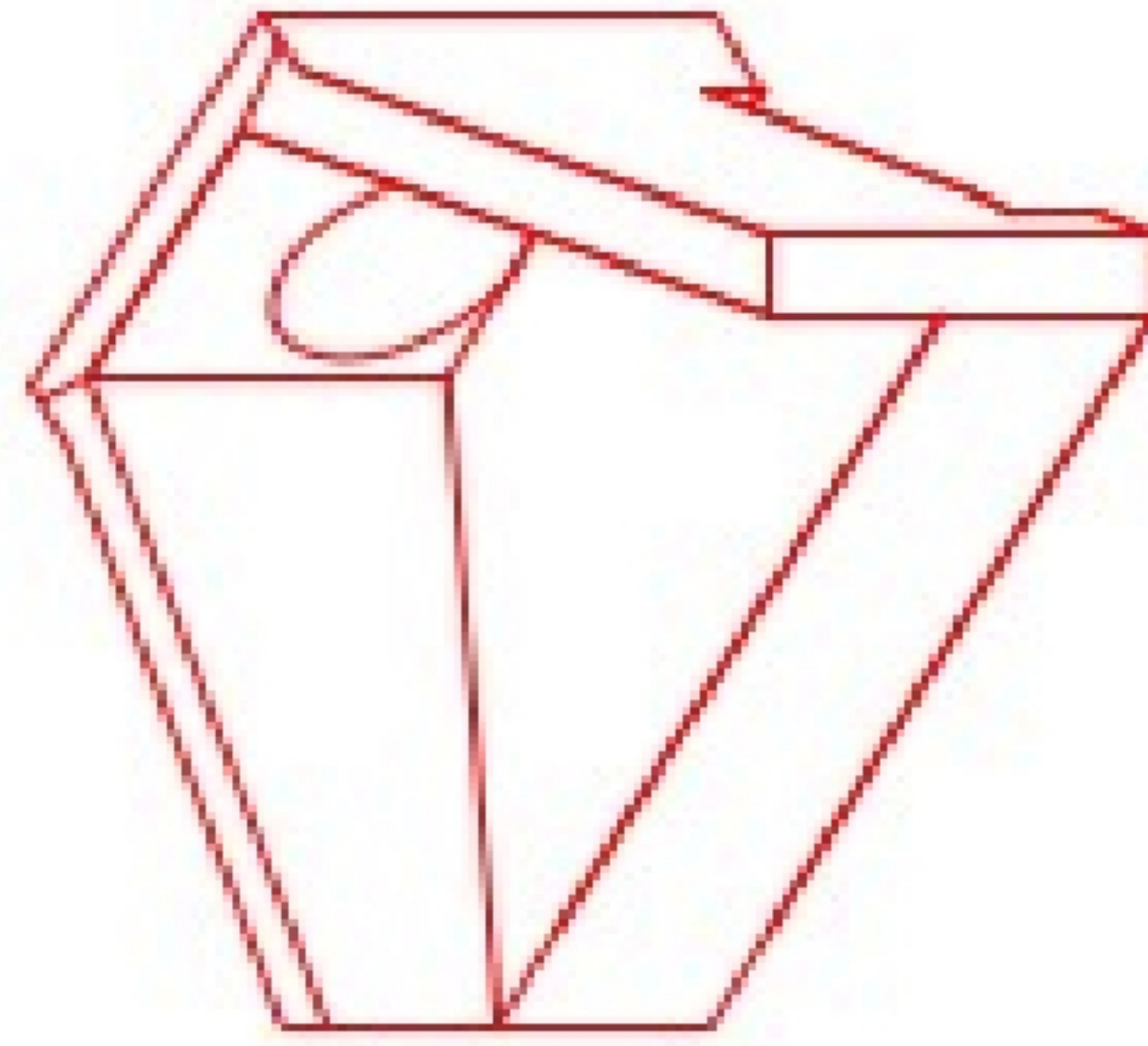


Structure ID: 54654 (8)

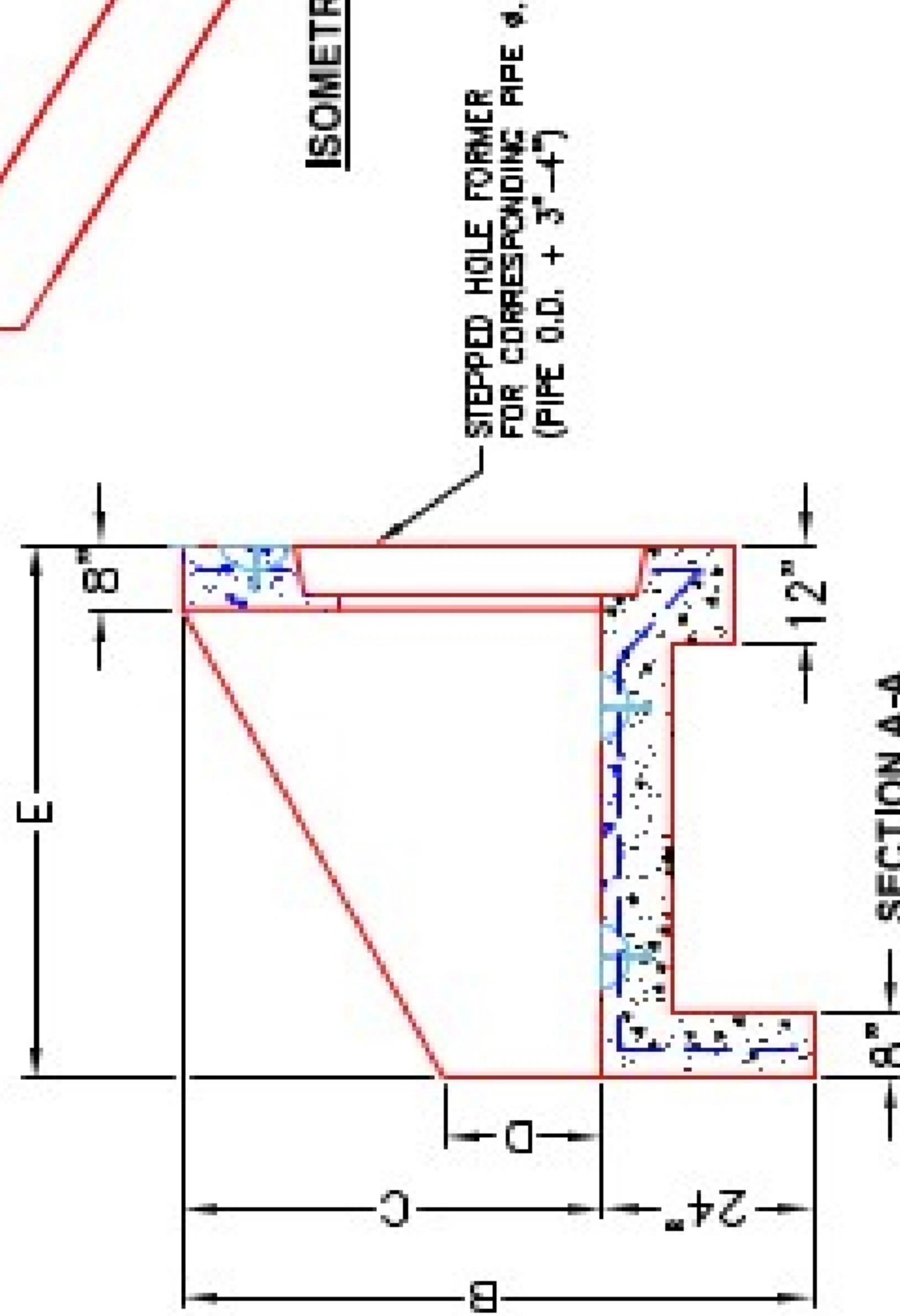
P1 HWPC54

54" - PIPE CULVERT HEADWALL

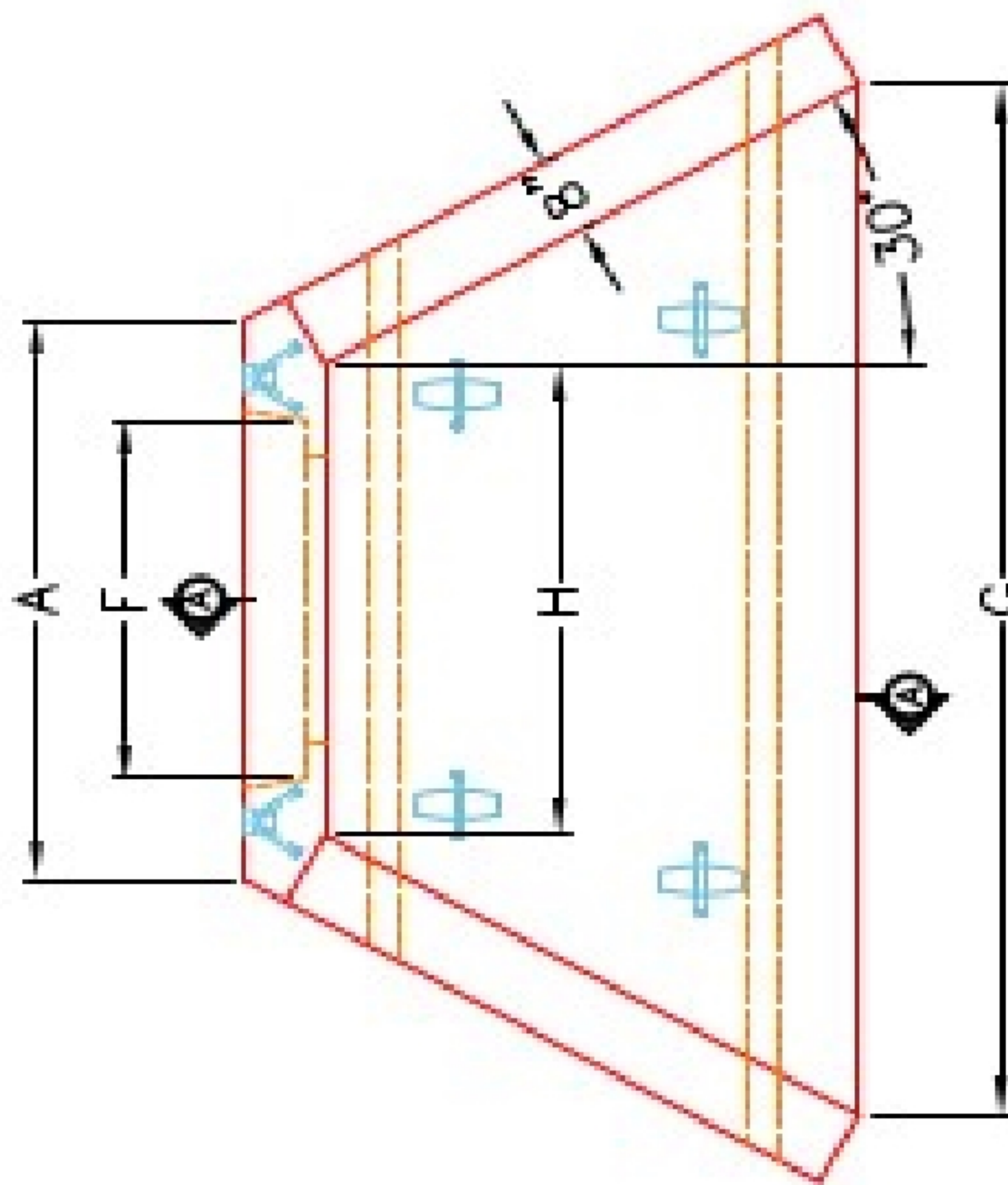
DIMENSIONS								WEIGHT	
PRE #	A	B	C	D	E	F	G	H	
3'	1'-4"	6'-4"	1'-0"	1'-4"	5'-0"	1'-6"	1'-8"	3'-4"	8,800 lbs.
3'	1'-4"	6'-4"	1'-0"	1'-4"	5'-0"	1'-6"	1'-8"	3'-4"	8,800 lbs.
4'	1'-4"	6'-4"	1'-0"	1'-4"	6'-0"	1'-6"	1'-8"	4'-0"	13,233 lbs.
4'	1'-4"	6'-4"	1'-0"	1'-4"	6'-0"	1'-6"	1'-8"	4'-0"	13,233 lbs.
5'	1'-4"	7'-8"	1'-0"	1'-4"	7'-4"	1'-6"	1'-8"	5'-0"	18,422 lbs.
6'	1'-4"	7'-8"	1'-0"	1'-4"	7'-4"	1'-6"	1'-8"	5'-0"	18,422 lbs.



ISOMETRIC VIEW

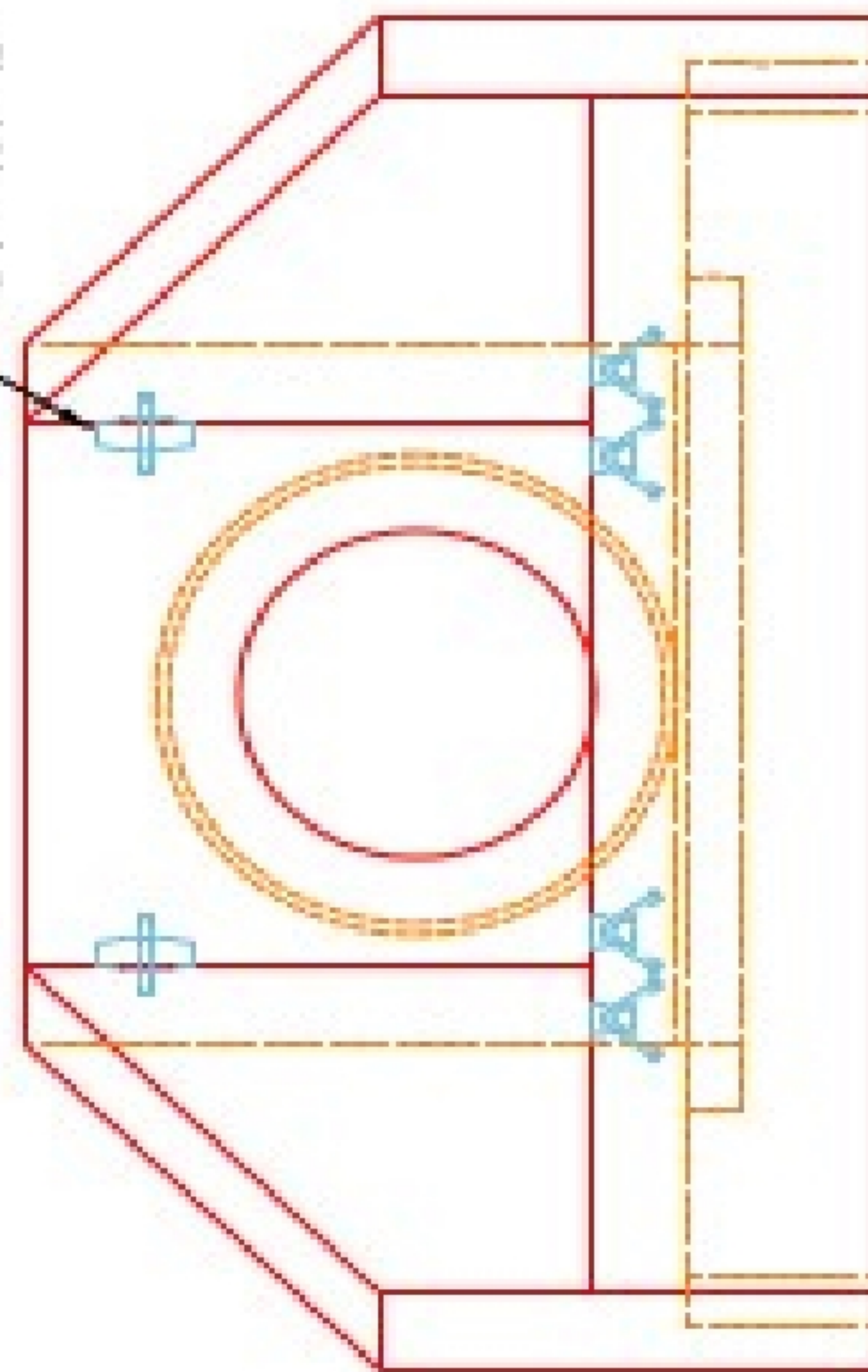


SECTION A-A



PLAN VIEW

"A"-ANCHOR LIFTING SYSTEM FOR PLANT & FIELD HANDLING.



FRONT ELEVATION

NOTES:

1. CONCRETE: KYTC APPROVED.
2. REINFORCING: #5 BAR @ 12" C/C E.W. - GRADE 60, (WITH 2" CONCRETE COVER MINIMUM)
3. REINFORCING BARS TO BE TACK WELDED OR TIED.
4. PIPE AND LIFTING ANCHOR POCKETS TO BE GROUTED WITH KYTC APPROVED NON-SHRINK GROUT.
5. DRAWING TO BE USED IN CONJUNCTION WITH KYTC STD. DRAWING RDH-110-02, RDH-210-03 AND THE STANDARD SPECIFICATIONS FOR ROAD AND BRIDGE CONSTRUCTION.
6. 3/4" CHAMFER ON ALL EXPOSED EDGES.
7. PREFORMED STEPPED HOLE SIZED AS PER O.D. OF PIPE + 3"-4".

APPROVED FOR DESIGN ONLY

APPROVED
 AS PER SPECIFICATION 105.03
 KYTC DIV. OF CONSTRUCTION
 1/20/2021 9:50 am
 INSTRUCTION



INFRASTRUCTURE PRECAST, INC.
 601 WEST 7TH ST., MANASSAS, KY, 40301
 PHONE: (606) 338-2228, FAX: (606) 338-7204

KYTC 30" - 60" PIPE CULVERT HEADWALL

DESIGNED BY: J.H. ROSS, PE DATE: 12-14-20
 CHECKED BY: J.H. ROSS, PE DRAWN BY: M. PUGH
 WWW.INFAPRECAST.COM SCALE: N/A