

Job Name: 25-4654 - KYTC McCracken Co (251012)
 Job Location: Paducah, KY
 Contractor: Jim Smith Contracting Co, LLC

Plant: 100
 3/11/2026 1:56:39 PM

Tech: Jared - F
 PC: J. Jarvis



Structure ID: 54654 (7)

P1 BX2424-08BA24

BOX BASE 8inW, 8inF F/n

- P2) 24" x 24" - CB FLAT TOP 8"W SOLID F/F - 8"
- P1) 24" x 24" - BOX BASE 8inW, 8inF F/n - 24"
- 1) 24" x 24" - Conseal CS-102 1.00"
- 2) Hole - 22
- 1) Hole - 16

1074 lb
 2486 lb
 0 lb
 0 lb
 0 lb

 Structure Total: 3560 lb

Structure Notes:
 ***KYTC STATE PROJECT**
 1. KYTC JUNCTION BOX / PER ASTM C913 SPEC'S.
 2. CONCRETE = 4,000 PSI AT 28 DAYS.
 3. SOLID TOP SLAB REQUIRED.

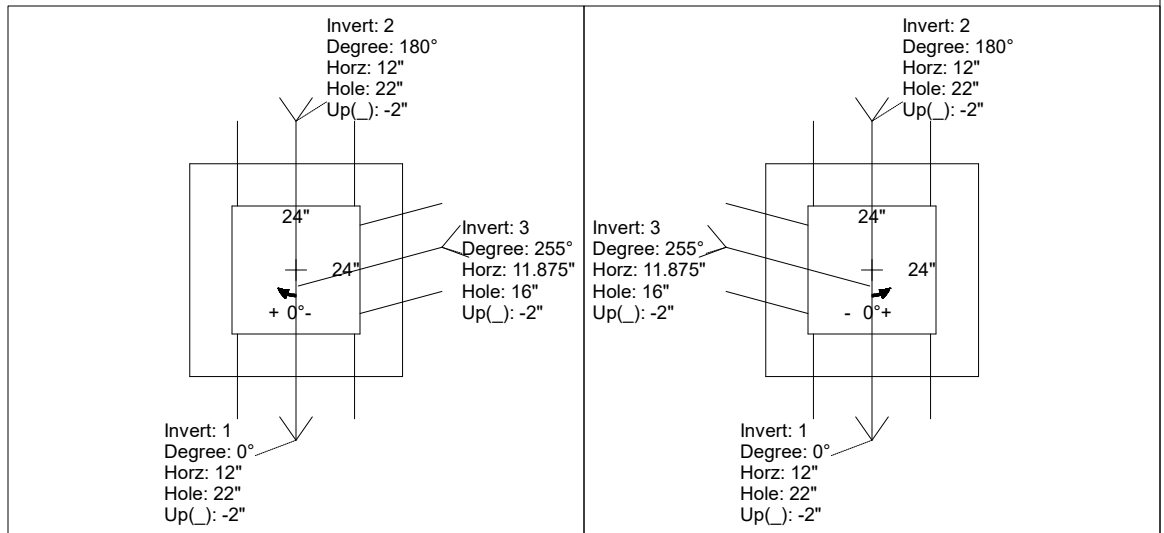
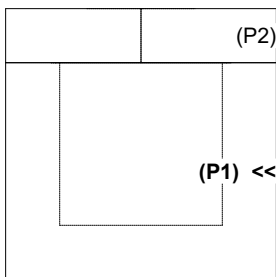
REINFORCING PER ASTM A615 (GRADE 60).
 - TOP SLAB (As .62) #5 BARS AT 6" C.C.E.W.
 - WALLS (As .31) #5 BARS AT 12" C.C.E.W.
 - FLOOR (As .31) #5 BARS AT 12: C.C.E.W.

Rim: 338.55' Rim to Invert: 2.71' Slack: 0.52" Sump: 0" Step Position:

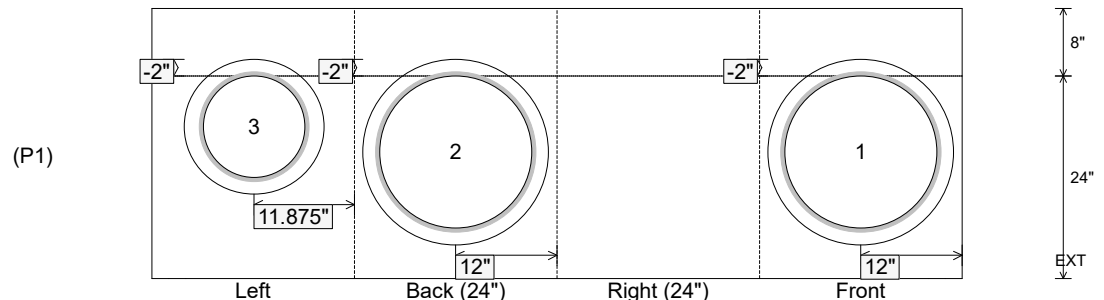
Position	Elev	Angle	Ext. (cw)	Pipe	Pipe OD	Connector	Hole	Horz Size	Up (↓)	Offset
Invert 1	335.84'	0°	20"	18" CMP	19"	Hole 22	22"	22"	-2"	0"
Invert 2	335.84'	180°	20"	18" CMP	19"	Hole 22	22"	22"	-2"	0"
Invert 3	335.84'	255°	17.75"	12" CMP	13"	Hole 16	16"	16.564"	-2"	3"
Invert 4										
Invert 5										
Invert 6										
Invert 7										
Invert 8										

RIGHT-SIDE UP VIEW (int. dimensions)

UPSIDE-DOWN VIEW (int. dimensions)



INSIDE WALL DIMENSIONS



Coating (Int):
 Coating (Ext):

Seam Up: Flat
 Seam Dn: n/a

Wall Thickness: 8"
 Floor Height: 8"

Height (Int): 24"
 Height (Ext): 32"

Weight (Net): 2486 lb
 Volume (Net): 0.64cu.yd