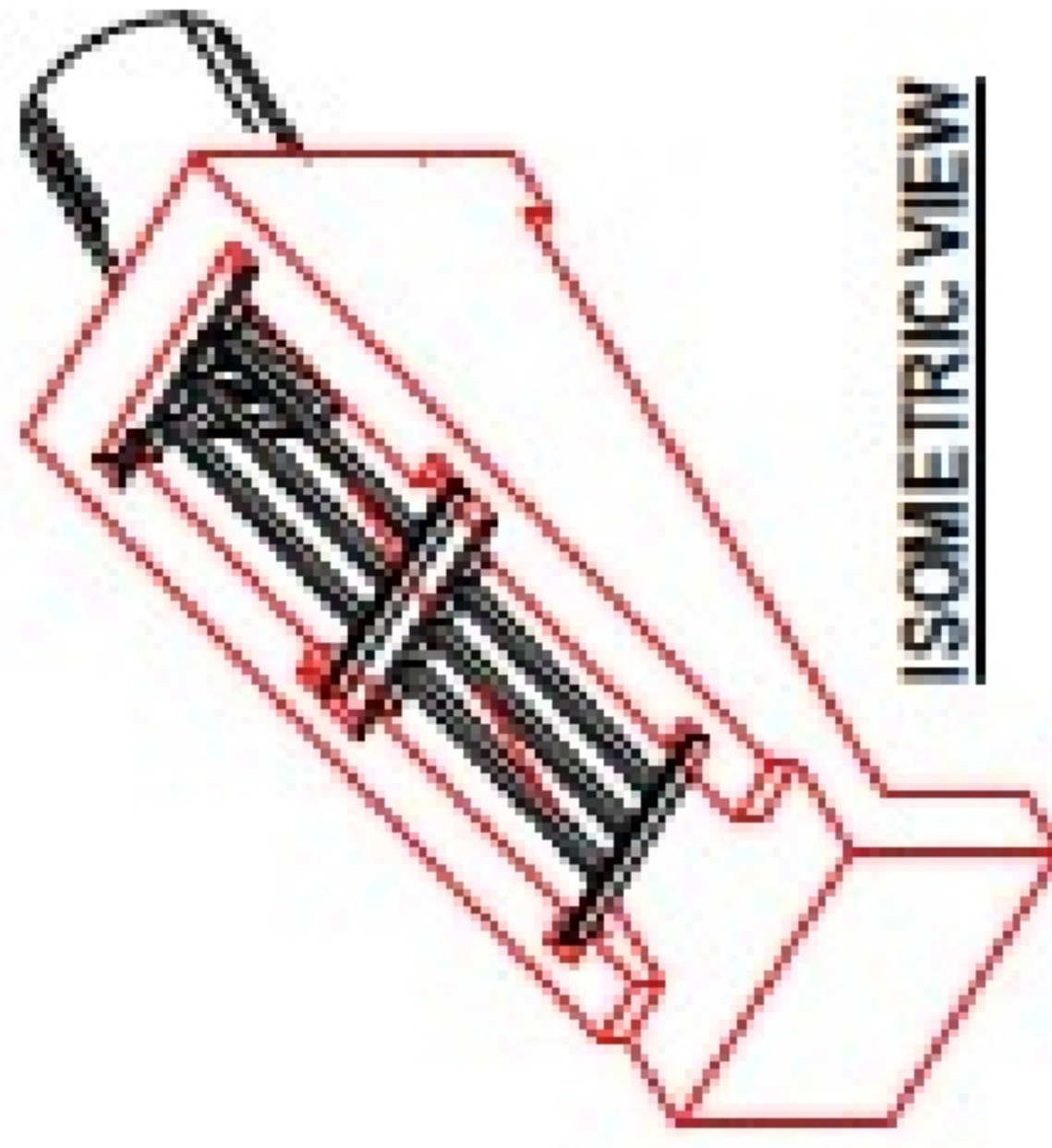




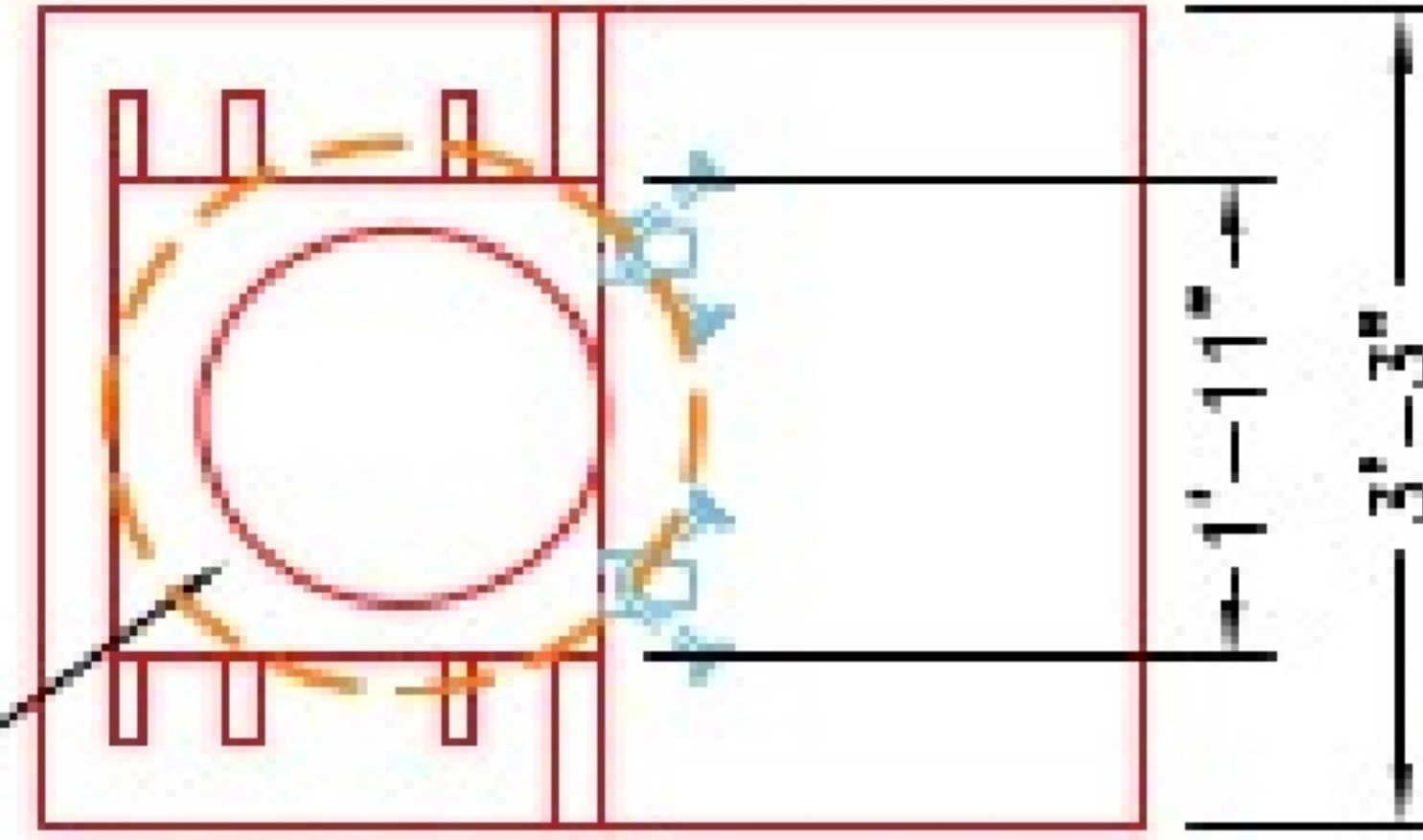
Structure ID: 54654 (4)

P1 HWSBO18

18" - SLOPED BOX OUTLET TYPE 1

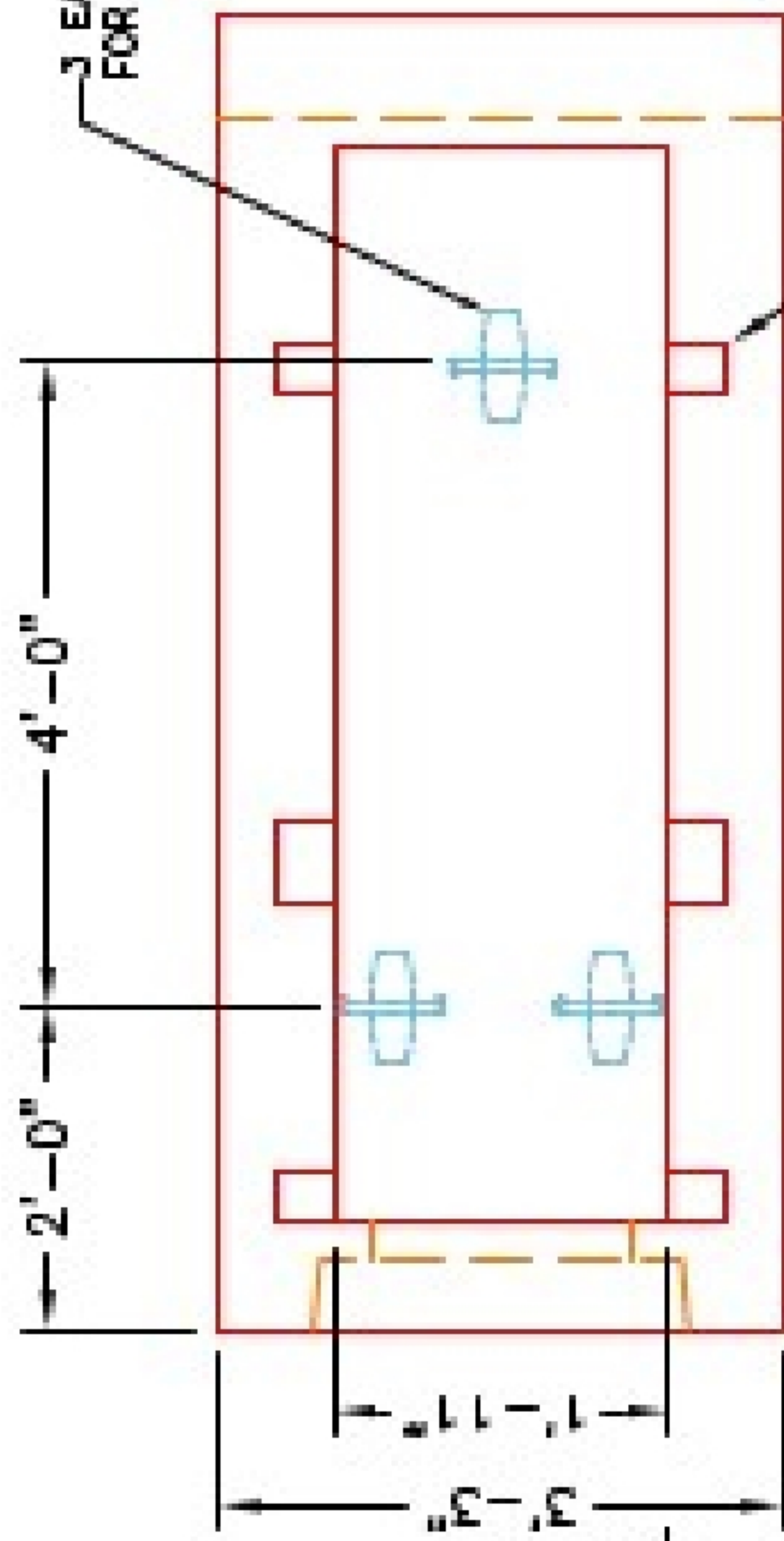


ISOMETRIC VIEW



FRONT ELEVATION

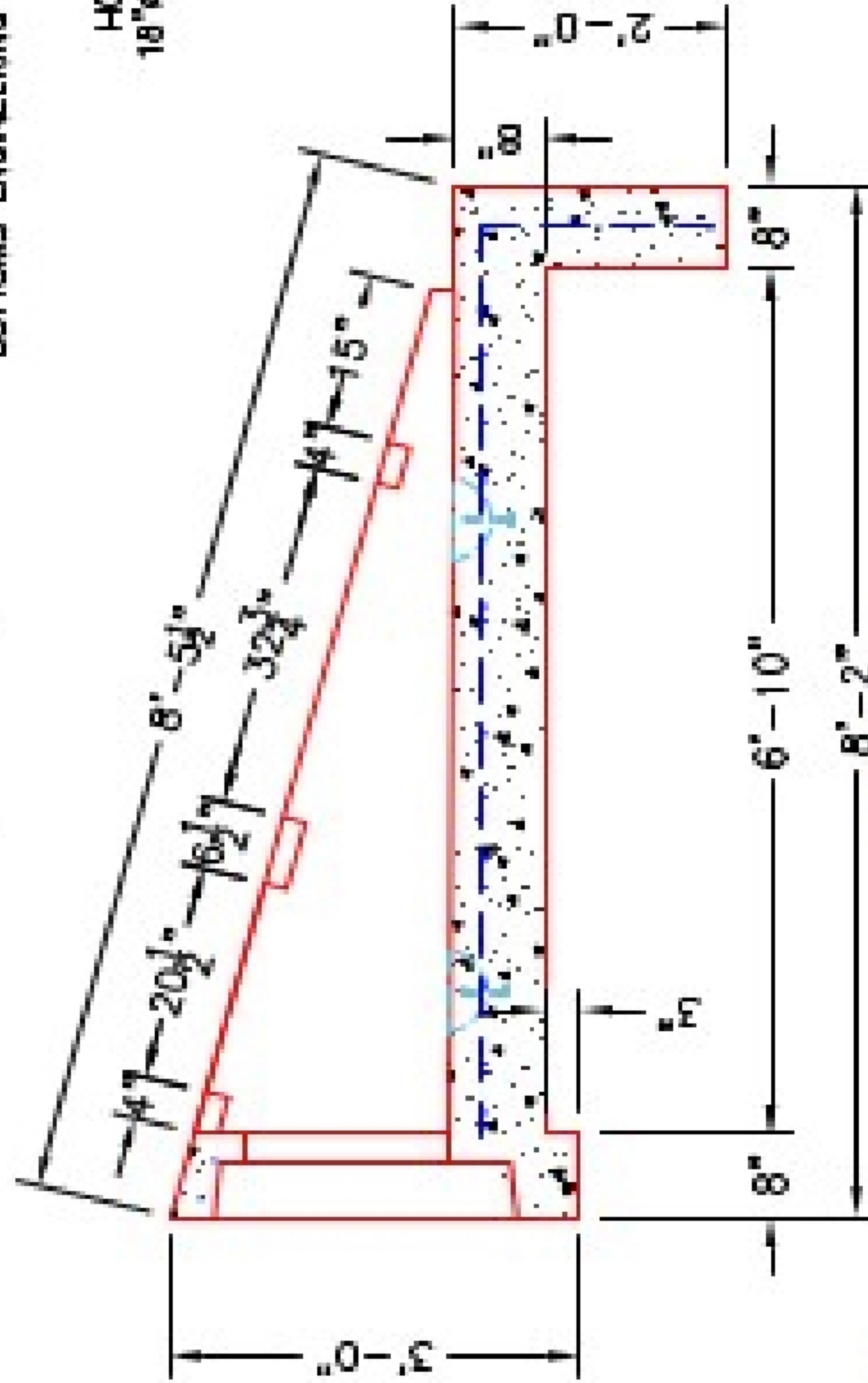
3 EA. CONAC 4CA14 ANCHORS FOR PLANT & FELD HANDLING.



PLAN VIEW

SLOTS AS REQUIRED FOR STRUCTURAL STEEL GRATES (NOT SHOWN) AS SUPPLIED BY BOTTOMS ENGINEERING OR J.R. HOE & SONS.

18" TO 26" STEPPED HOLE FORMER FOR 18" PIPE 18" TO BE FLUSH WITH FLOOR.



SECTION A-A

- NOTES:**
1. CONCRETE, KYTC APPROVED.
 2. REINFORCING: #6 BAR @ 12" C/C E.W. - GRADE 60 (WITH 2" CONCRETE COVER MINIMUM)
 3. REINFORCING BARS TO BE TACK WELDED OR TIED.
 4. PIPE AND LIFTING ANCHOR POCKETS TO BE CRUISED WITH KYTC APPROVED NON-SHRINK GROUT.
 5. DRAWING TO BE USED IN CONJUNCTION WITH KYTC STD. DRAWINGS R08-100-00 & R08-101-00 AND THE STANDARD SPECIFICATIONS FOR ROAD AND BRIDGE CONSTRUCTION.
 6. 2" CHAMFER ON ALL EXPOSED CORNERS.
 7. PREFORMED STEPPED HOLE SIZED AS PER O.D. OF PIPE + 3"-4".

PRODUCTION WORK ORDER		PRODUCT I.D.: HWSBO18	DESCRIPTION: KYTC 18" SLOPED BOX OUTLET TYPE 1
QUALITY CONTROL CHECKLIST		PRODUCT VIEW: RIGHT SIDE UP	CUSTOMER: ??
<input type="checkbox"/> ALL DIMENSIONS CORRECT.		PLANT: BEAVER DAM, KY.	PROJECT: ??
<input type="checkbox"/> LIFTERS INSTALLED.		WEIGHT: 4,900 LBS.	STRUCTURE ID: ??
<input type="checkbox"/> STEPPED IF CORRECT SIZE.		TOP SECTION JOINT: N/A	QUOTE/SALES ORDER NO: ??
<input type="checkbox"/> REINFORCING CORRECT.		BASE SECTION JOINT: N/A	P.C.: T. SEKULA
<input type="checkbox"/> SLOTS INSTALLED FOR GRATES.		QC CHECK INITIALS:	DRAWING: N. RICHARDS
<input type="checkbox"/> EDGES CHAMFERED.			DATE: 11/11/22
<input type="checkbox"/> ALL PATCHWORK ACCEPTABLE.			SCALE: NTS
			PG. 1 of 1

