

Job Name: 25-4631 Bishop Cotton Apartments
Job Location: Owensboro, KY
Contractor: Winwater Hartford KY Co.

PC: Andy Chambers
 TECH: J. Horsley - A
 Plant: 100



Structure ID: **CA5 (4)**
 Spec: Storm
 Type: BX 8inW, 8inF
 Size: 24" x 36"

Rim: 431.46'
 Invert: 429.34'
 Rim to Invert: 2.12'

Sump: 0.25"
 Floor (Top): 429.319'
 Floor Height: 8"

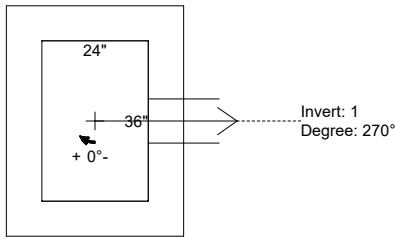
Floor (Bot): 428.653'
 Overall Height: 2.667'
 Slack: 1.69"

- Structure Notes:**
 PLAN LABEL: CA-5
 1. PER ASTM C-913 SPECIFICATIONS
 2. CONCRETE: 4,000 PSI AT 28 DAYS
 3. REINFORCEMENT: #5 BAR @ 12" C.C. E.W. (GRADE 60)
 4. NO STORM INVERT
 5. NO STEPS
 6. HOE 525 FRAME, GRATE, & CURB HOOD SUPPLIED BY ICAST

STRUCTURE SUMMARY:

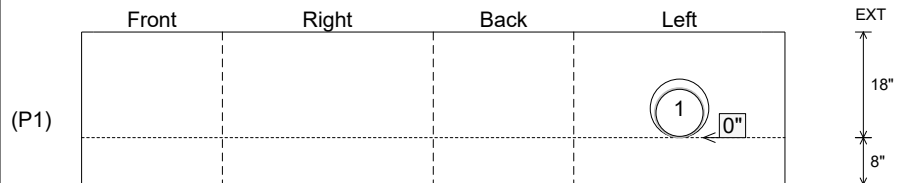
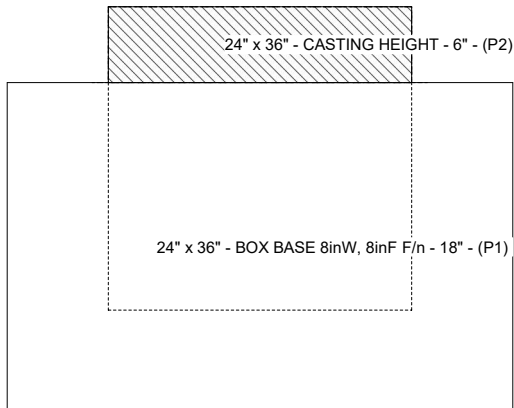
P2) 24" x 36" - CASTING HEIGHT - 6"	0 lb
P1) 24" x 36" - BOX BASE 8inW, 8inF F/n - 18"	3180 lb
1) CASTING - HOE 525 SET (F/G/H)	442 lb
1) 24" x 36" - Conseal CS-102 1.00"	0 lb
1) Hole - 10	0 lb

	0 lb
Structure Total:	3622 lb



Position	Elev	Angle	Pipe	Pipe OD	Hole	Connector	Up ()	Ref
Rim	431.46'							
Reducer								
Invert 1	429.34'	270°	8" PVC SDR26	8.5"	10"	Hole 10	0"	P1
Invert 2								
Invert 3								
Invert 4								
Invert 5								
Invert 6								
Invert 7								
Invert 8								

Cast (Int. Dim.) - Interior Dimensions



Submittal Drawing
 1/21/2026 12:28:12 PM

SUBMITTAL
 APPROVED BY: