

Job Name: 25-4631 Bishop Cotton Apartments
Job Location: Owensboro, KY
Contractor: Winwater Hartford KY Co.

PC: Andy Chambers
 TECH: J. Horsley - A
 Plant: 100



Structure ID: **BB4 (11)**
 Spec: Storm
 Type: BX 8inW, 8inF
 Size: 24" x 36"

Rim: 438.96'
 Invert: 437.07'
 Rim to Invert: 1.89'

Sump: 2"
 Floor (Top): 436.903'
 Floor Height: 8"

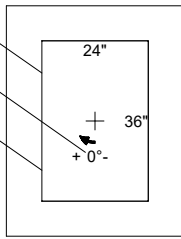
Floor (Bot): 436.237'
 Overall Height: 2.667'
 Slack: 0.68"

- Structure Notes:**
 PLAN LABEL: BB-4
 1. PER ASTM C-913 SPECIFICATIONS
 2. CONCRETE: 4,000 PSI AT 28 DAYS
 3. REINFORCEMENT: #5 BAR @ 12" C.C. E.W. (GRADE 60)
 4. NO STORM INVERT
 5. NO STEPS
 6. HOE 525 FRAME, GRATE, & CURB HOOD SUPPLIED BY ICAST

STRUCTURE SUMMARY:

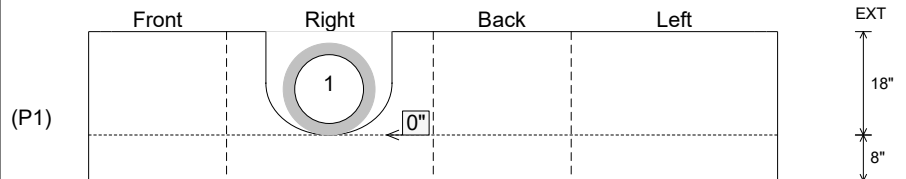
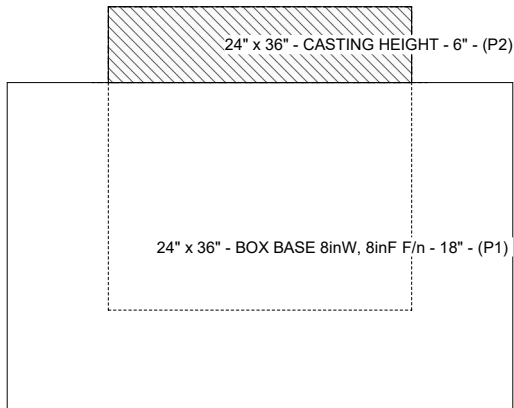
P2) 24" x 36" - CASTING HEIGHT - 6"	0 lb
P1) 24" x 36" - BOX BASE 8inW, 8inF F/n - 18"	2996 lb
1) CASTING - HOE 525 SET (F/G/H)	442 lb
1) 24" x 36" - Conseal CS-102 1.00"	0 lb
1) DOGHOUSE INVRTD - 18"x18"	0 lb
Structure Total:	3438 lb

Invert: 1
 Degree: 125°



Position	Elev	Angle	Pipe	Pipe OD	Hole	Connector	Up (L)	Ref
Rim	438.96'							
Reducer								
Invert 1	437.07'	125°	12" RCP B WALL	16"	18" x 18"	DOGHOUSE INVRTD 18"x18"	0"	P1
Invert 2								
Invert 3								
Invert 4								
Invert 5								
Invert 6								
Invert 7								
Invert 8								

Cast (Int. Dim.) - Interior Dimensions



Submittal Drawing
 1/21/2026 12:28:17 PM

SUBMITTAL
 APPROVED BY: