

**Job Name: 25-4631 Bishop Cotton Apartments**  
**Job Location: Owensboro, KY**  
**Contractor: Winwater Hartford KY Co.**

PC: Andy Chambers  
 TECH: J. Horsley - A  
 Plant: 100



Structure ID: **BA4 (8)**  
 Spec: Storm  
 Type: BX 8inW, 8inF  
 Size: 24" x 36"

Rim: 441.5'  
 Invert: 438.28'  
 Rim to Invert: 3.22'

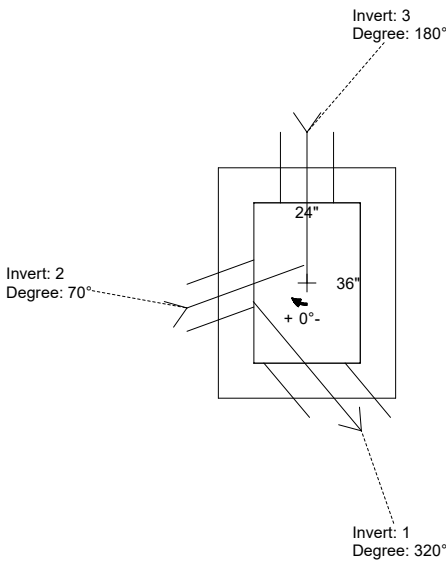
Sump: 0.25"  
 Floor (Top): 438.259'  
 Floor Height: 8"

Floor (Bot): 437.593'  
 Overall Height: 3.75'  
 Slack: 1.89"

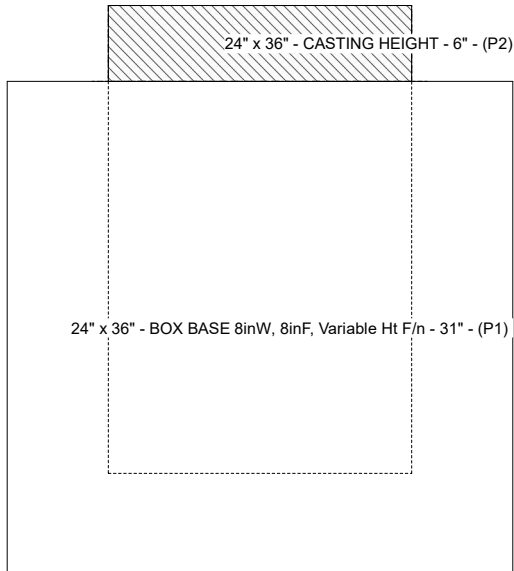
- Structure Notes:**  
 PLAN LABEL: BA-4  
 1. PER ASTM C-913 SPECIFICATIONS  
 2. CONCRETE: 4,000 PSI AT 28 DAYS  
 3. REINFORCEMENT: #5 BAR @ 12" C.C. E.W. (GRADE 60)  
 4. NO STORM INVERT  
 5. NO STEPS  
 6. HOE 525 FRAME, GRATE, & CURB HOOD SUPPLIED BY ICAST

**STRUCTURE SUMMARY:**

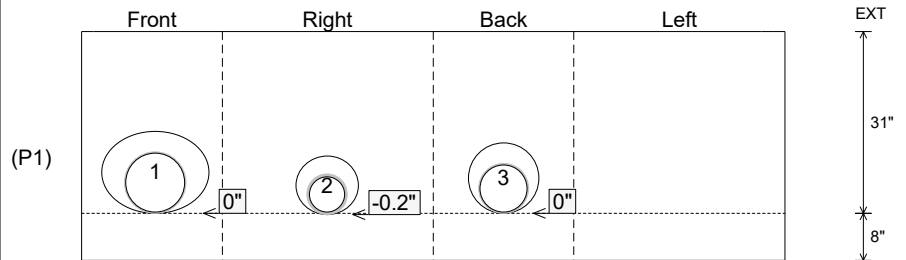
P2) 24" x 36" - CASTING HEIGHT - 6"	0 lb
P1) 24" x 36" - BOX BASE 8inW, 8inF, Variable Ht F/n - 31"	4293 lb
1) CASTING - HOE 525 SET (F/G/H)	442 lb
1) 24" x 36" - Conseal CS-102 1.00"	0 lb
1) Hole - 14	0 lb
1) Hole - 10	0 lb
1) Hole - 12	0 lb
<b>Structure Total:</b>	<b>4735 lb</b>



Position	Elev	Angle	Pipe	Pipe OD	Hole	Connector	Up (")	Ref
Rim	441.5'							
Reducer								
Invert 1	438.28'	320°	10" PVC SDR26	10.5"	14"	Hole 14	0"	P1
Invert 2	438.28'	70°	6" HDPE	6.9"	10"	Hole 10	-0.2"	P1
Invert 3	438.28'	180°	8" PVC SDR26	8.5"	12"	Hole 12	0"	P1
Invert 4								
Invert 5								
Invert 6								
Invert 7								
Invert 8								



**Cast (Int. Dim.) - Interior Dimensions**



Submittal Drawing  
 1/21/2026 12:28:14 PM

SUBMITTAL  
 APPROVED BY: