

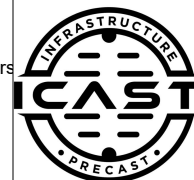
Job Name: 25-4631 Bishop Cotton Apartments  
 Job Location: Owensboro, KY  
 Contractor: Winwater Hartford KY Co.

Plant: 100

1/21/2026 12:49:33 PM

Tech: J. Horsley - A

PC: Andy Chambers



**Structure ID: BA3 (7)**

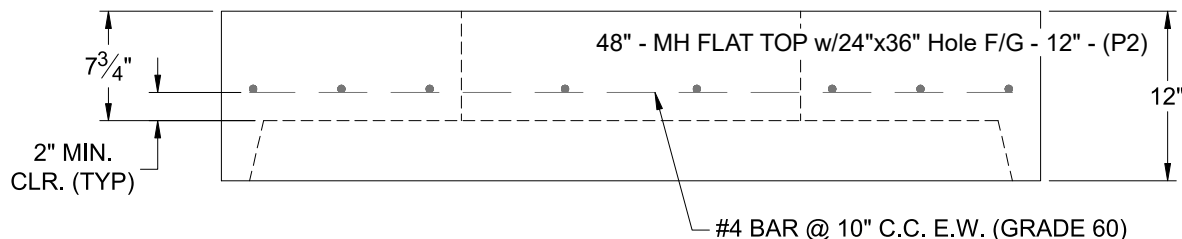
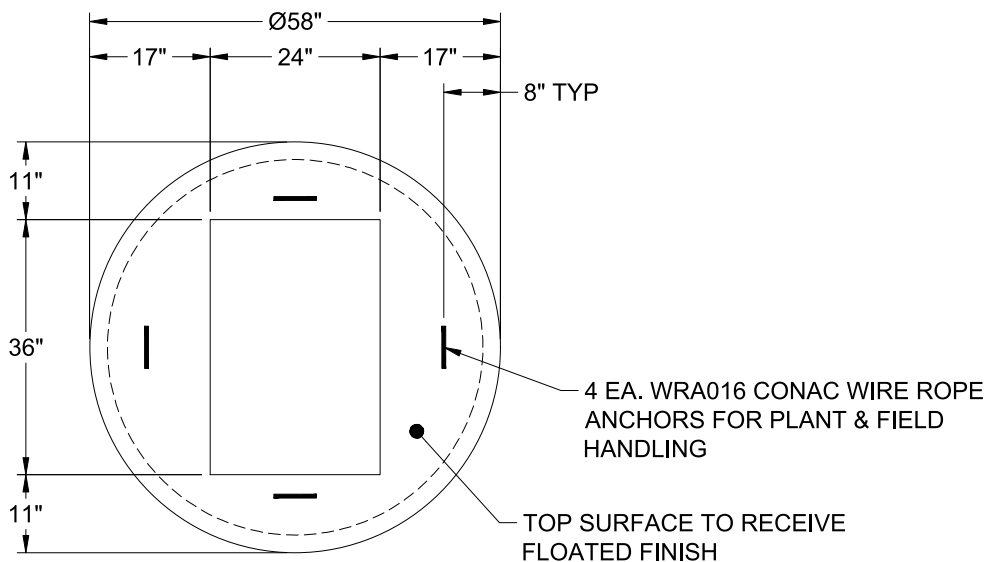
**P2 MH048LD12-24X36RECT**

**MH FLAT TOP w/24"x36" Hole F/G**

- P4) 24" x 36" - CASTING HEIGHT - 6"
- P3) 24" x 36" - GRADE RING F/F - 3"
- P2) 48" - MH FLAT TOP w/24"x36" Hole F/G - 12"
- P1) 48" - MH BASE T/n - 48"
- 1) CASTING - HOE 525 SET (F/G/H)
- 1) 48" - Conseal CS-102 1.00"
- 2) 24" x 36" - Conseal CS-102 1.00"
- 1) Hole - 26
- 1) Hole - 14
- 1) Hole - 22
- 4) MH Step ML-10-TDS-NCR - 10"

- 0 lb
- 306 lb
- 1300 lb
- 4220 lb
- 442 lb
- 0 lb
- 0 lb
- 0 lb
- 0 lb
- 0 lb
- 0 lb
- 0 lb
- Structure Total: 6268 lb

- Structure Notes:**
1. PER ASTM C-478 SPECIFICATIONS
  2. CONCRETE: 4,000 PSI AT 28 DAYS
  3. REINFORCEMENT: #4 BAR @ 10" C.C. E.W. (GRADE 60) - 2" MIN. REBAR CLEARANCE (TYP)
  4. HOE 525 FRAME, GRATE, & CURB HOOD SUPPLIED BY ICAST
  5. LIFTERS: 4 EA. WRA016 CONAC WIRE ROPE ANCHORS FOR PLANT & FIELD HANDLING
  6. TOP SURFACE TO RECEIVE FLOATED FINISH



Coating (Int):  
 Coating (Ext):

Seam Up: Flat  
 Seam Dn: Groove

Wall Thickness: 5"

Height (Ext): 12"

Weight (Net): 1300 lb  
 Volume (Net): 0.46cu.yd