

**Job Name: 25-4631 Bishop Cotton Apartments**  
**Job Location: Owensboro, KY**  
**Contractor: Winwater Hartford KY Co.**

PC: Andy Chambers  
 TECH: J. Horsley - A  
 Plant: 100



Structure ID: **BA2 (6)**  
 Spec: Storm  
 Type: STM.MH  
 Size: 48"

Rim: 440.23'  
 Invert: 436.24'  
 Rim to Invert: 3.99'

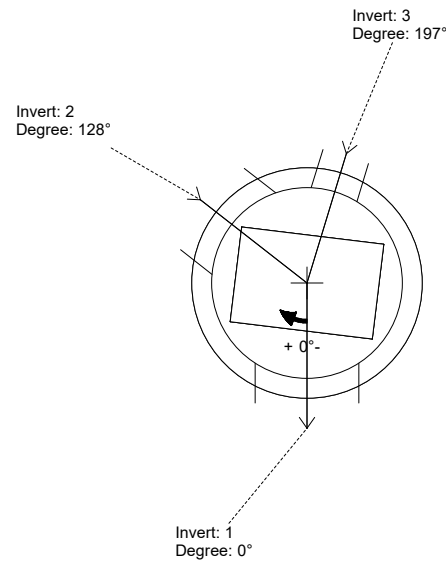
Sump: 2.5"  
 Floor (Top): 436.032'  
 Floor Height: 6"

Floor (Bot): 435.532'  
 Overall Height: 4.5'  
 Slack: 2.38"

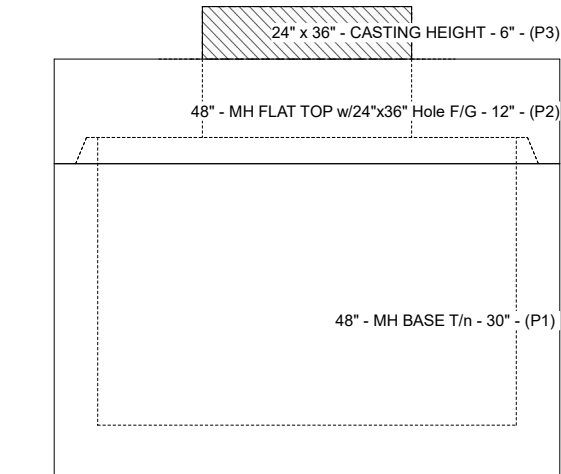
**Structure Notes:**  
 PLAN LABEL: BA-2  
 1. PER ASTM C-478 SPECIFICATIONS  
 2. CONCRETE: 4,000 PSI AT 28 DAYS  
 3. REINFORCEMENT:  
 - FLAT LID: #4 BAR @ 10" C.C. E.W. (GRADE 60)  
 - BASE: PER ASTM A615  
 4. NO STORM INVERT  
 5. NO STEPS  
 6. HOE 525 FRAME, GRATE, & CURB HOOD SUPPLIED BY ICAST

**STRUCTURE SUMMARY:**

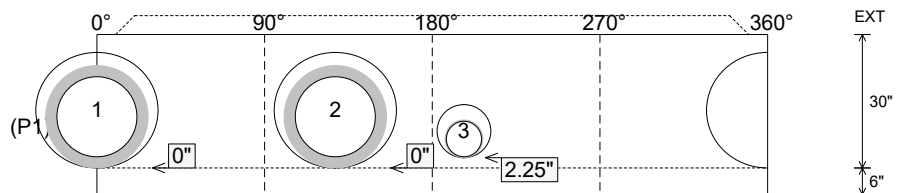
P3) 24" x 36" - CASTING HEIGHT - 6" 0 lb  
 P2) 48" - MH FLAT TOP w/24"x36" Hole F/G - 12" 1300 lb  
 P1) 48" - MH BASE T/n - 30" 2757 lb  
 1) CASTING - HOE 525 SET (F/G/H) 442 lb  
 1) 48" - Conseal CS-102 1.00" 0 lb  
 1) 24" x 36" - Conseal CS-102 1.00" 0 lb  
 2) Hole - 26 0 lb  
 1) Hole - 12 0 lb  
 Structure Total: 4499 lb



Position	Elev	Angle	Pipe	Pipe OD	Hole	Connector	Up (')	Ref
Rim	440.23'							
Reducer								
Invert 1	436.24'	0°	18" RCP B WALL	23"	26"	Hole 26	0"	P1
Invert 2	436.24'	128°	18" RCP B WALL	23"	26"	Hole 26	0"	P1
Invert 3	436.24'	197°	8" PVC SDR26	8.5"	12"	Hole 12	2.25"	P1
Invert 4								
Invert 5								
Invert 6								
Invert 7								
Invert 8								



**Cast (Int. Dim.) - Interior Dimensions**



Submittal Drawing  
 1/21/2026 12:28:13 PM

SUBMITTAL  
 APPROVED BY: