

Job Name: 25-4631 Bishop Cotton Apartments
 Job Location: Owensboro, KY
 Contractor: Winwater Hartford KY Co.

Plant: 100

1/21/2026 12:49:32 PM

Tech: J. Horsley - A

PC: Andy Chambers



Structure ID: BA2 (6)

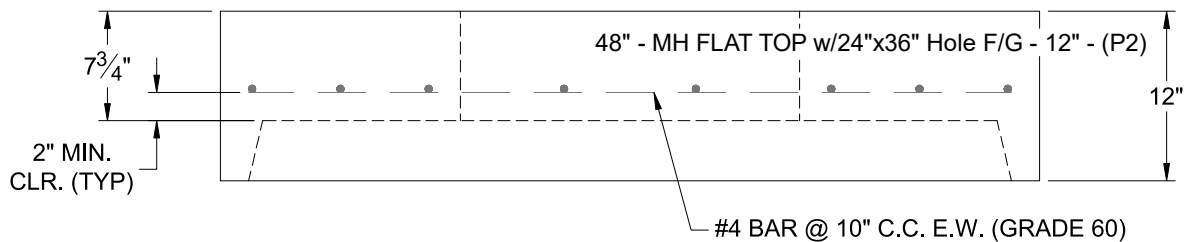
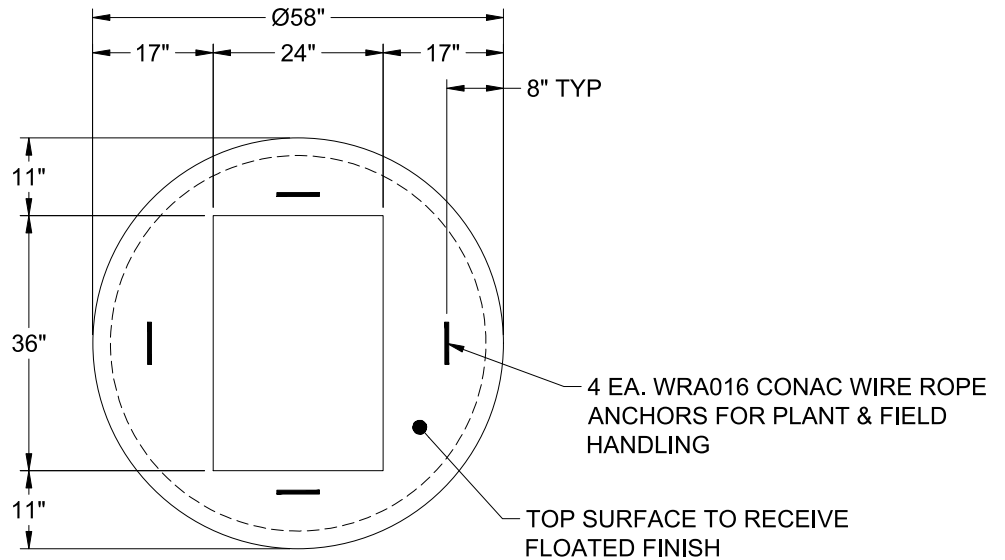
P2 MH048LD12-24X36RECT

MH FLAT TOP w/24"x36" Hole F/G

- P3) 24" x 36" - CASTING HEIGHT - 6"
- P2) 48" - MH FLAT TOP w/24"x36" Hole F/G - 12"
- P1) 48" - MH BASE T/n - 30"
- 1) CASTING - HOE 525 SET (F/G/H)
- 1) 48" - Conseal CS-102 1.00"
- 1) 24" x 36" - Conseal CS-102 1.00"
- 2) Hole - 26
- 1) Hole - 12

	0 lb
	1300 lb
	2757 lb
	442 lb
	0 lb
	0 lb
	0 lb
	0 lb
Structure Total:	4499 lb

- Structure Notes:**
1. PER ASTM C-478 SPECIFICATIONS
 2. CONCRETE: 4,000 PSI AT 28 DAYS
 3. REINFORCEMENT: #4 BAR @ 10" C.C. E.W. (GRADE 60) - 2" MIN. REBAR CLEARANCE (TYP)
 4. HOE 525 FRAME, GRATE, & CURB HOOD SUPPLIED BY ICAST
 5. LIFTERS: 4 EA. WRA016 CONAC WIRE ROPE ANCHORS FOR PLANT & FIELD HANDLING
 6. TOP SURFACE TO RECEIVE FLOATED FINISH



Coating (Int):
 Coating (Ext):

Seam Up: Flat
 Seam Dn: Groove

Wall Thickness: 5"

Height (Ext): 12"

Weight (Net): 1300 lb
 Volume (Net): 0.46cu.yd