

Job Name: 25-4631 Bishop Cotton Apartments
Job Location: Owensboro, KY
Contractor: Winwater Hartford KY Co.

PC: Andy Chambers
 TECH: J. Horsley - A
 Plant: 100



Structure ID: **A2 (12)**

Spec: Sanitary
 Type: SAN.MH w/ConBlock-CDA Red
 Size: 48"

Rim: 440.83'
 Invert: 430.99'
 Rim to Invert: 9.84'

Sump: 2"
 Floor (Top): 430.823'
 Floor Height: 6"

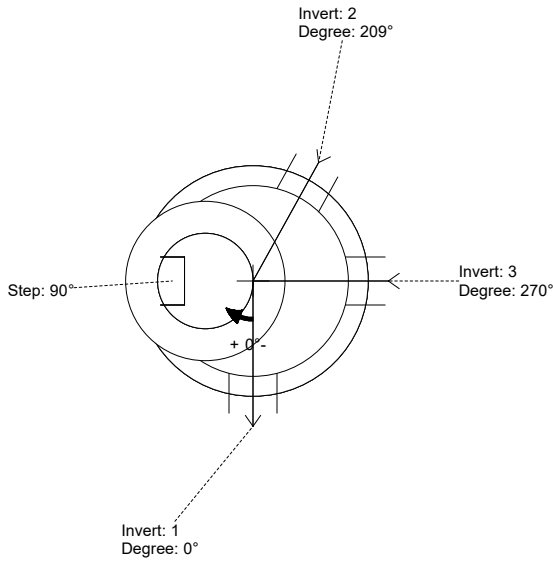
Floor (Bot): 430.323'
 Overall Height: 10.417'
 Slack: 1.08"

Structure Notes:

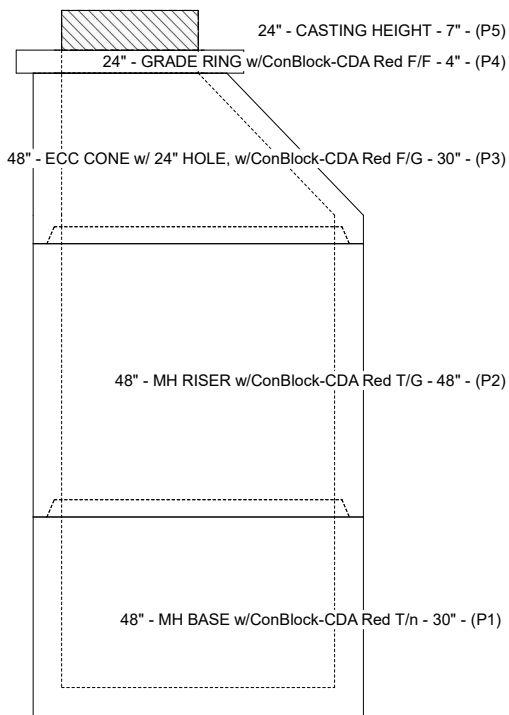
- PLAN LABEL: MH A-2
 1. PER ASTM C-478 SPECIFICATIONS
 2. CONCRETE: 4,000 PSI AT 28 DAYS
 3. REINFORCEMENT: PER ASTM A615
 4. INVERT CHANNEL REQUIRED
 5. CONBLOCK CDA RED ADMIXTURE REQUIRED
 6. STEPS AT 90 DEGREES
 7. HOE MC-315 FRAME & COVER "SANITARY" SUPPLIED BY ICAST

STRUCTURE SUMMARY:

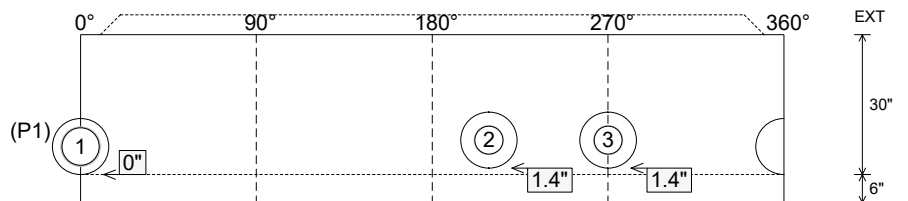
P5) 24" - CASTING HEIGHT - 7"	0 lb
P4) 24" - GRADE RING w/ConBlock-CDA Red F/F - 4"	270 lb
P3) 48" - ECC CONE w/ 24" HOLE, w/ConBlock-CDA Red F/G - 30"	1961 lb
P2) 48" - MH RISER w/ConBlock-CDA Red T/G - 48"	3353 lb
P1) 48" - MH BASE w/ConBlock-CDA Red T/n - 30"	3282 lb
1) JOINT WRAP - 0.065"x6"x50' CONSEAL CS212	0 lb
1) JOINT WRAP PRIMER - CONSEAL CS-75 (1 gal.)	0 lb
1) 48" - MH INVERT CHANNEL w/ConBlock-CDA Red - FULL HEIGHT	1440 lb
1) ADMIXTURE CONBLOCK CDA RED	0 lb
1) CASTING - HOE MC-315 F/C Sanitary	258 lb
2) 48" - Conseal CS-102 1.00" (Double)	0 lb
1) PSX - 12-08 NYLO	8 lb
2) PSX - 12-06 NYLO	16 lb
9) MH Step ML-10-TDS-NCR - 10"	0 lb
Structure Total:	10589 lb



Position	Elev	Angle	Pipe	Pipe OD	Hole	Connector	Up (L)	Ref
Rim	440.83'							
Reducer								
Invert 1	430.99'	0°	8" PVC SDR35	8.5"	12"	PSX 12-08 NYLO	0"	P1
Invert 2	431.19'	209°	6" PVC SDR35	6.25"	12"	PSX 12-06 NYLO	1.4"	P1
Invert 3	431.19'	270°	6" PVC SDR35	6.25"	12"	PSX 12-06 NYLO	1.4"	P1
Invert 4								
Invert 5								
Invert 6								
Invert 7								
Invert 8								



Cast (Int. Dim.) - Interior Dimensions



Submittal Drawing
 1/21/2026 12:28:18 PM

SUBMITTAL
 APPROVED BY: