

**Job Name: 25-4627 - 865800 Simpsonville Elementary School**  
**Job Location: Simpsonville, KY**  
**Contractor: Contech Engineering Solutions**

PC: T. Sekula  
 TECH: J. Coppage  
 Plant: Beaver Dam



Structure ID: **10-CS-4**  
 Spec: Storm-Pipe Centered  
 Type: STM.MH  
 Size: 48"

Rim: 778.52'  
 Invert: 773.63'  
 Rim to Invert: 4.89'

Sump: 51"  
 Floor (Top): 769.38'  
 Floor Height: 6"

Floor (Bot): 768.88'  
 Overall Height: 9.583'  
 Slack: 0.68"

Structure Notes:  
 (5" TALL CASTING PROVIDED BY OTHERS)

LIFTING ANCHORS TO BE INSTALLED ON THE OUTSIDE OF THE STRUCTURE

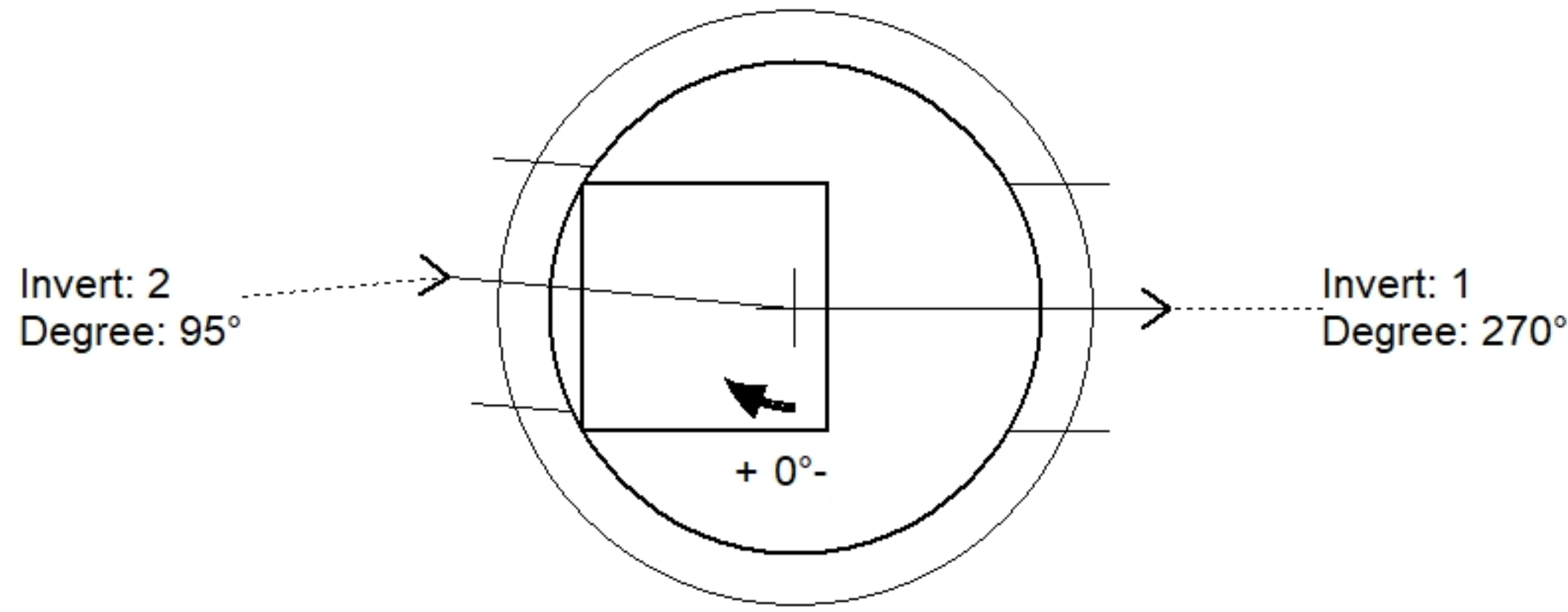
ICAST TO INSTALL THE INTERNALS

CONTECH'S LOGO AS WELL AS THE INLET AND THE OUTLET MUST BE STENCILED ONTO THE STRUCTURE.

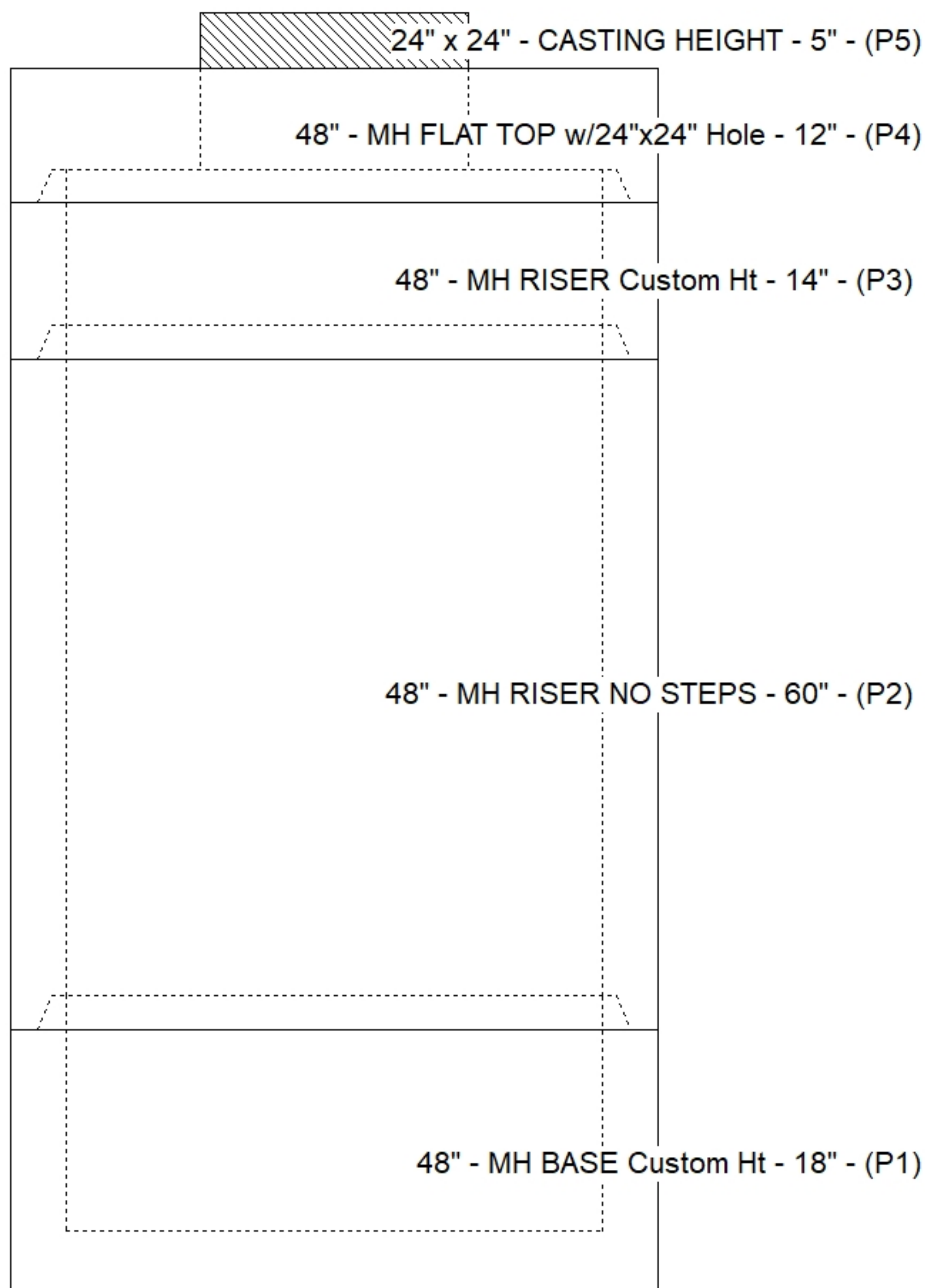
**\*\*STYROFOAM KO TO REMAIN IN PLACE UNTIL RISER IS INSTALLED AT JOB SITE\*\***

STRUCTURE SUMMARY:

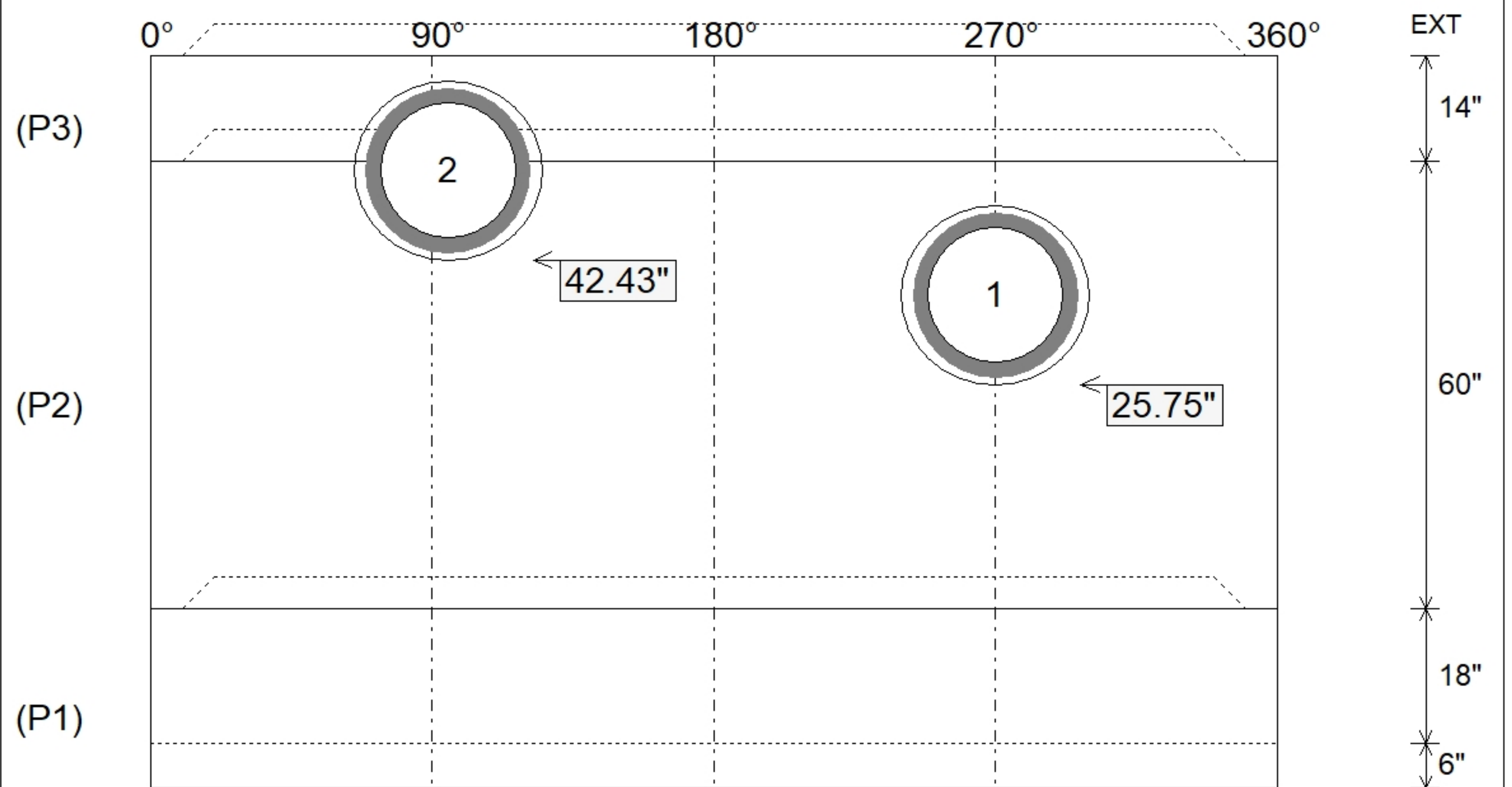
P5) 24" x 24" - CASTING HEIGHT - 5"	0 lb
P4) 48" - MH FLAT TOP w/24"x24" Hole - 12"	1500 lb
P3) 48" - MH RISER Custom Ht - 14"	893 lb
P2) 48" - MH RISER NO STEPS - 60"	3882 lb
P1) 48" - MH BASE Custom Ht - 18"	2588 lb
1) ASSEMBLY REQUIRED	0 lb
1) CVSTENCILING	0 lb
3) 48" - Conseal CS-102 1.00"	0 lb
1) 24" x 24" - Conseal CS-102 1.00"	0 lb
2) Hole - 24	0 lb
<b>Structure Total:</b>	<b>8863 lb</b>



Position	Elev	Angle	Pipe	Pipe OD	Hole	Connector	Up (")	Ref
Rim	778.52'							
Reducer								
Invert 1	773.63'	270°	18" ADS N-12	22"	24"	Hole 24	25.75"	P2
Invert 2	775.02'	95°	18" ADS N-12	22"	24"	Hole 24	42.43"	P2
Invert 3								
Invert 4								
Invert 5								
Invert 6								
Invert 7								
Invert 8								



**Default - Interior Dimensions**



Submittal Drawing  
 12/10/2025 1:33:51 PM

SUBMITTAL  
 APPROVED BY: